



Air Conditioning & Heating

GSX13

SPLIT SYSTEM AIR CONDITIONER

13 SEER / 1½ TO 5 TONS

COOLING CAPACITY: 18,000 - 60,000 BTU/H



Contents

Nomenclature	2
Product Specifications	3
Expanded Cooling Data	4
AHRI Ratings.....	22
Wiring Diagrams	56
Dimensions	60
Accessories	60

Standard Features

- R-410A chlorine-free refrigerant
- Energy-efficient compressor
- Factory-installed filter drier
- Copper tube/aluminum fin coil
- Service valves with sweat connections and easy-access gauge ports
- Contactor with lug connection
- Ground lug connection
- AHRI Certified
- ETL Listed

Cabinet Features

- Goodman® brand louvered sound control top design
- Steel louver coil guard
- Heavy-gauge galvanized-steel cabinet
- Attractive Architectural Gray powder-paint finish with 500-hour salt-spray approval
- Top and side maintenance access
- Single-panel access to controls with space provided for field-installed accessories
- When properly anchored, meets the 2010 Florida Building Code unit integrity requirements for hurricane-type winds (Anchor bracket kits available.)



* Complete warranty details available from your local dealer or at www.goodmanmfg.com. To receive the 10-Year Parts Limited Warranty, online registration must be completed within 60 days of installation. Online registration not required in California or Québec.

NOMENCLATURE

	G	S	X	13	036	1	*	*				
	1	2	3	4,5	6,7,8	9	10	11				
Brand	G Goodman® Brand						Engineering * Minor Revision					
Product Category	S Split System			Engineering * Major Revision								
Unit Type	X Condenser R-410A			Z Heat Pump R-410A			Electrical					
							1	208-230 V, 1 Phase, 60 Hz				
							3	208-230 V, 3 Phase, 60 Hz				
Efficiency	13 13 SEER				14 14 SEER				16 16 SEER			
									Nominal Capacity			
									018	1½ Tons	042	3½ Tons
									024	2 Tons	048	4 Tons
									030	2½ Tons	060	5 Tons
									036	3 Tons	061	5 Tons

* Neither used for order entry or inventory management.



SPECIFICATIONS

	GSX13 0181E*	GSX13 0241D*	GSX13 0301B*	GSX13 0361C*	GSX13 0361E*	GSX13 0421B*	GSX13 0481B*	GSX13 0601B*	GSX13 0611A*
CAPACITIES									
Nominal Cooling (BTU/h)	18,000	24,000	30,000	36,000	36,000	42,000	48,000	60,000	60,000
SEER / EER	13 / 11	13 / 11	13 / 11	13 / 11	13 / 11	13 / 11	13 / 11	13 / 11	13/11
Decibels	75	75	73	74	74	75	76	77	72
COMPRESSOR									
RLA	6.7	13.5	12.8	14.1	14.1	17.9	19.9	25.0	26.4
LRA	41	58.3	64	77	77	112	109	134	134
CONDENSER FAN MOTOR									
Horsepower	1/8	1/8	1/8	1/6	1/4	1/4	1/4	1/4	1/4
FLA	0.7	0.7	0.7	1.1	1.5	1.5	1.5	1.5	1.5
REFRIGERATION SYSTEM									
Refrigerant Line Size ¹									
Liquid Line Size ("O.D.)	3/8"	3/8"	3/8"	3/8"	3/8"	3/8"	3/8"	3/8"	3/8"
Suction Line Size ("O.D.)	3/4"	3/4"	3/4"	7/8"	7/8"	1 1/8"	1 1/8"	1 1/8"	7/8"
Refrigerant Connection Size									
Liquid Valve Size ("O.D.)	3/8"	3/8"	3/8"	3/8"	3/8"	3/8"	3/8"	3/8"	3/8"
Suction Valve Size ("O.D.) ^{4 5}	3/4"	3/4"	3/4"	3/4" ⁴	3/4" ⁴	7/8" ⁵	7/8" ⁵	7/8" ⁵	3/4"
Valve Type	Sweat	Sweat	Sweat	Sweat	Sweat	Sweat	Sweat	Sweat	Sweat
Refrigerant Charge	58	52	62	89	64	83	97	100	111
Shipped with Orifice Size	0.051	0.057	0.061	0.070	0.070	0.076	0.080	0.086	0.086
ELECTRICAL DATA									
Voltage	208/230	208/230	208/230	208/230	208/230	208/230	208/230	208/230	208/230
Minimum Circuit Ampacity ²	9.1	17.6	16.7	18.7	19.1	23.9	26.4	32.8	34.5
Max. Overcurrent Protection ³	15 amps	30 amps	25 amps	30 amps	30 amps	40 amps	45 amps	50 amps	60 amps
Min / Max Volts	197/253	197/253	197/253	197/253	197/253	197/253	197/253	197/253	197/253
Electrical Conduit Size	1/2" or 3/4"	1/2" or 3/4"	1/2" or 3/4"	1/2" or 3/4"	1/2" or 3/4"	1/2" or 3/4"	1/2" or 3/4"	1/2" or 3/4"	1/2" or 3/4"
EQUIPMENT WEIGHT (LBS)	102	115	115	139	118	171	175	184	211
SHIP WEIGHT (LBS)	117	128	132	157	135	189	193	202	233

¹ Line sizes denoted for 25' line sets, tested and rated in accordance with AHRI Standard 210/240. For other line-set lengths or sizes, refer to the installation & Operating instructions and/or the long line-set guidelines.

² Wire size should be determined in accordance with National Electrical Codes; extensive wire runs will require larger wire sizes

³ Must use time-delay fuses or HACR-type circuit breakers of the same size as noted.

⁴ Installer will need to supply 3/4" to 7/8" adapters for suction line connections.

⁵ Installer will need to supply 7/8" to 1 1/8" adapters for suction line connections.

NOTES

- Always check the S&R plate for electrical data on the unit being installed.
- Unit is charged with refrigerant for 15' of 3/8" liquid line. System charge must be adjusted per Installation Instructions Final Charge Procedure.

COOLING DATA — GSX130181E* / CAPF1824B6DB

IDB	AIRFLOW	OUTDOOR AMBIENT TEMPERATURE												ENTERING INDOOR WET BULB TEMPERATURE															
		65°F				75°F				85°F				95°F				105°F				115°F							
		59	63	67	71	59	63	67	71	59	63	67	71	59	63	67	71	59	63	67	71	59	63	67	71				
70	MBh	15.6	16.2	17.7	-	15.3	15.8	17.3	-	14.9	15.4	16.9	-	14.5	15.1	16.5	-	13.8	14.3	15.7	-	13.8	14.3	15.7	-	12.8	13.3	14.5	-
	S/T	0.70	0.59	0.41	-	0.73	0.61	0.42	-	0.75	0.62	0.43	-	0.77	0.64	0.45	-	0.80	0.67	0.46	-	0.80	0.67	0.46	-	0.81	0.67	0.47	-
	Δ T	19.3	16.7	12.7	-	19.5	16.9	12.8	-	19.5	16.9	12.8	-	19.6	17.0	12.9	-	19.4	16.8	12.7	-	19.4	16.8	12.7	-	18.1	15.7	11.9	-
	kW	1.02	1.04	1.08	-	1.11	1.13	1.17	-	1.18	1.21	1.25	-	1.25	1.28	1.32	-	1.30	1.33	1.38	-	1.30	1.33	1.38	-	1.35	1.38	1.43	-
	Amps	4.3	4.4	4.5	-	4.6	4.7	4.9	-	5.0	5.1	5.3	-	5.4	5.5	5.7	-	5.7	5.8	6.0	-	5.7	5.8	6.0	-	6.0	6.2	6.4	-
	Hi PR	203	219	231	-	228	245	259	-	259	279	294	-	295	318	335	-	332	357	377	-	332	357	377	-	367	395	417	-
	Lo PR	102	109	119	-	108	115	126	-	113	120	131	-	118	126	137	-	124	132	144	-	124	132	144	-	128	136	149	-
	MBh	16.4	17.0	18.7	-	16.0	16.6	18.2	-	15.7	16.2	17.8	-	15.3	15.8	17.4	-	14.5	15.0	16.5	-	14.5	15.0	16.5	-	13.4	13.9	15.3	-
	S/T	0.71	0.60	0.41	-	0.74	0.62	0.43	-	0.76	0.63	0.44	-	0.78	0.65	0.45	-	0.81	0.68	0.47	-	0.81	0.68	0.47	-	0.82	0.69	0.47	-
	Δ T	18.0	15.6	11.8	-	18.2	15.8	12.0	-	18.2	15.8	12.0	-	18.4	15.9	12.1	-	18.1	15.7	11.9	-	18.1	15.7	11.9	-	16.9	14.6	11.1	-
kW	1.03	1.06	1.09	-	1.12	1.14	1.18	-	1.19	1.22	1.27	-	1.26	1.29	1.34	-	1.32	1.35	1.40	-	1.32	1.35	1.40	-	1.37	1.40	1.45	-	
Amps	4.3	4.4	4.6	-	4.7	4.8	4.9	-	5.1	5.2	5.4	-	5.4	5.6	5.7	-	5.8	5.9	6.1	-	5.8	5.9	6.1	-	6.2	6.4	6.5	-	
Hi PR	206	221	234	-	231	248	262	-	263	283	298	-	299	322	340	-	336	362	382	-	336	362	382	-	372	400	422	-	
Lo PR	104	110	121	-	110	117	127	-	114	121	132	-	120	127	139	-	126	134	146	-	126	134	146	-	130	138	151	-	
MBh	16.9	17.6	19.2	-	16.5	17.1	18.8	-	16.1	16.7	18.3	-	15.8	16.3	17.9	-	15.0	15.5	17.0	-	15.0	15.5	17.0	-	13.9	14.4	15.7	-	
S/T	0.73	0.61	0.42	-	0.76	0.63	0.44	-	0.78	0.65	0.45	-	0.80	0.67	0.46	-	0.83	0.69	0.48	-	0.83	0.69	0.48	-	0.84	0.70	0.48	-	
Δ T	17.5	15.1	11.5	-	17.7	15.3	11.6	-	17.7	15.3	11.6	-	17.8	15.4	11.7	-	17.6	15.2	11.6	-	17.6	15.2	11.6	-	16.4	14.2	10.8	-	
kW	1.05	1.07	1.11	-	1.14	1.16	1.20	-	1.21	1.24	1.29	-	1.28	1.31	1.36	-	1.34	1.37	1.42	-	1.34	1.37	1.42	-	1.39	1.42	1.47	-	
Amps	4.4	4.5	4.6	-	4.7	4.9	5.0	-	5.2	5.3	5.5	-	5.5	5.6	5.8	-	5.9	6.0	6.2	-	5.9	6.0	6.2	-	6.2	6.4	6.6	-	
Hi PR	209	225	238	-	235	253	267	-	267	287	304	-	304	327	346	-	342	368	389	-	342	368	389	-	378	407	430	-	
Lo PR	106	112	123	-	112	119	130	-	116	123	135	-	122	130	142	-	128	136	148	-	128	136	148	-	132	141	153	-	
75	MBh	15.9	16.4	17.7	19.0	15.5	16.0	17.3	18.6	15.2	15.6	16.9	18.1	14.8	15.2	16.5	17.7	14.0	14.5	15.7	16.8	14.0	14.5	15.7	16.8	13.0	13.4	14.5	15.6
	S/T	0.80	0.72	0.54	0.35	0.83	0.74	0.56	0.36	0.85	0.76	0.58	0.37	0.88	0.78	0.59	0.38	0.91	0.81	0.62	0.40	0.91	0.81	0.62	0.40	0.92	0.82	0.62	0.40
	Δ T	22.3	20.5	16.8	11.6	22.5	20.7	17.0	11.7	22.6	20.8	17.0	11.7	22.7	20.9	17.1	11.8	22.4	20.6	16.9	11.7	22.4	20.6	16.9	11.7	20.9	19.3	15.8	10.9
	kW	1.03	1.05	1.09	1.13	1.12	1.14	1.18	1.22	1.19	1.22	1.26	1.31	1.26	1.29	1.33	1.38	1.32	1.35	1.39	1.44	1.32	1.35	1.39	1.44	1.36	1.40	1.45	1.50
	Amps	4.3	4.4	4.6	4.7	4.7	4.8	4.9	5.1	5.1	5.2	5.4	5.6	5.4	5.5	5.7	5.9	5.8	5.9	6.1	6.3	5.8	5.9	6.1	6.3	6.1	6.3	6.5	6.7
	Hi PR	205	221	233	243	230	248	262	273	262	282	297	310	298	321	339	353	335	361	381	398	335	361	381	398	371	399	421	439
	Lo PR	104	110	120	128	109	116	127	135	114	121	132	141	119	127	139	148	125	133	145	155	125	133	145	155	129	138	150	160
	MBh	16.7	17.2	18.6	20.0	16.3	16.8	18.2	19.5	15.9	16.4	17.8	19.1	15.5	16.0	17.3	18.6	14.8	15.2	16.5	17.7	14.8	15.2	16.5	17.7	13.7	14.1	15.2	16.4
	S/T	0.81	0.73	0.55	0.35	0.84	0.75	0.57	0.37	0.86	0.77	0.58	0.38	0.89	0.80	0.60	0.39	0.92	0.83	0.63	0.40	0.92	0.83	0.63	0.40	0.93	0.83	0.63	0.41
	Δ T	20.8	19.1	15.7	10.8	21.0	19.4	15.9	11.0	21.1	19.4	15.9	11.0	21.2	19.5	16.0	11.1	20.9	19.3	15.8	10.9	20.9	19.3	15.8	10.9	19.5	18.0	14.7	10.2
kW	1.04	1.07	1.10	1.14	1.13	1.16	1.20	1.24	1.21	1.23	1.28	1.32	1.27	1.30	1.35	1.40	1.33	1.36	1.41	1.46	1.33	1.36	1.41	1.46	1.38	1.41	1.46	1.52	
Amps	4.4	4.5	4.6	4.8	4.7	4.8	5.0	5.2	5.1	5.2	5.4	5.6	5.5	5.6	5.8	6.0	5.8	6.0	6.2	6.4	5.8	6.0	6.2	6.4	6.2	6.3	6.5	6.8	
Hi PR	208	224	236	246	233	251	265	276	265	285	301	314	302	325	343	358	340	366	386	403	340	366	386	403	376	404	427	445	
Lo PR	105	112	122	130	111	118	129	137	115	123	134	142	121	129	141	150	127	135	147	157	127	135	147	157	131	140	152	162	
MBh	17.2	17.7	19.2	20.6	16.8	17.3	18.7	20.1	16.4	16.9	18.3	19.6	16.0	16.5	17.9	19.2	15.2	15.7	17.0	18.2	15.2	15.7	17.0	18.2	14.1	14.5	15.7	16.9	
S/T	0.83	0.74	0.56	0.36	0.86	0.77	0.58	0.37	0.88	0.79	0.60	0.38	0.91	0.81	0.62	0.40	0.94	0.84	0.64	0.41	0.94	0.84	0.64	0.41	0.95	0.85	0.64	0.41	
Δ T	20.2	18.6	15.2	10.5	20.4	18.8	15.4	10.7	20.5	18.8	15.4	10.7	20.6	19.0	15.5	10.7	20.3	18.7	15.3	10.6	20.3	18.7	15.3	10.6	19.0	17.5	14.3	9.9	
kW	1.06	1.08	1.12	1.16	1.15	1.17	1.21	1.26	1.22	1.25	1.30	1.34	1.29	1.32	1.37	1.42	1.35	1.38	1.43	1.48	1.35	1.38	1.43	1.48	1.40	1.44	1.49	1.54	
Amps	4.4	4.5	4.7	4.9	4.8	4.9	5.1	5.3	5.2	5.3	5.5	5.7	5.6	5.7	5.9	6.1	5.9	6.1	6.3	6.5	5.9	6.1	6.3	6.5	6.3	6.4	6.6	6.9	
Hi PR	211	228	240	251	237	255	270	281	270	290	307	320	307	331	349	364	346	372	393	410	346	372	393	410	382	411	434	453	
Lo PR	107	114	124	132	113	120	131	139	117	125	136	145	123	131	143	152	129	137	150	160	129	137	150	160	133	142	155	165	

IDB: Entering Indoor Dry Bulb Temperature
 High and low pressures are measured at the liquid and suction service valves.
 Shaded area reflects ACCA (TVA) conditions
 Amps = outdoor unit amps (comp.+fan)
 kW = Total system power

COOLING DATA — GSX130181E* / CAPF1824B6DB (CONT.)

IDB	AIRFLOW	OUTDOOR AMBIENT TEMPERATURE												ENTERING INDOOR WET BULB TEMPERATURE											
		65°F				75°F				85°F				95°F				105°F				115°F			
		59	63	67	71	59	63	67	71	59	63	67	71	59	63	67	71	59	63	67	71	59	63	67	71
80	MBh	16.2	16.5	17.7	18.9	15.8	16.1	17.3	18.4	15.4	15.8	16.8	18.0	15.0	15.4	16.4	17.6	14.3	14.6	15.6	16.7	13.2	13.5	14.5	15.5
	S/T	0.88	0.82	0.67	0.50	0.91	0.85	0.69	0.52	0.93	0.87	0.71	0.53	0.96	0.90	0.73	0.55	1.00	0.94	0.76	0.57	1.01	0.94	0.77	0.57
	Δ T	24.8	23.8	20.7	16.5	25.2	24.1	21.0	16.7	25.2	24.1	21.0	16.8	25.4	24.3	21.1	16.9	25.0	24.0	20.8	16.6	23.4	22.4	19.5	15.5
	kW	1.04	1.06	1.10	1.14	1.13	1.15	1.19	1.23	1.20	1.23	1.27	1.32	1.27	1.30	1.35	1.39	1.33	1.36	1.41	1.46	1.38	1.41	1.46	1.51
	Amps	4.3	4.4	4.6	4.8	4.7	4.8	5.0	5.2	5.1	5.2	5.4	5.6	5.5	5.6	5.8	6.0	5.8	6.0	6.2	6.4	6.2	6.3	6.5	6.8
	Hi PR	207	223	235	246	232	250	264	276	264	285	300	313	301	324	342	357	339	365	385	402	374	403	425	444
	Lo PR	105	111	121	129	110	118	128	137	115	122	133	142	121	128	140	149	126	134	147	156	131	139	152	162
	MBh	17.0	17.4	18.6	19.8	16.6	17.0	18.1	19.4	16.2	16.6	17.7	18.9	15.8	16.2	17.3	18.5	15.0	15.4	16.4	17.5	13.9	14.2	15.2	16.2
	S/T	0.89	0.84	0.68	0.51	0.92	0.87	0.70	0.53	0.95	0.89	0.72	0.54	0.98	0.92	0.75	0.56	1.00	0.95	0.77	0.58	1.00	0.96	0.78	0.58
	Δ T	23.2	22.2	19.3	15.5	23.5	22.5	19.6	15.6	23.5	22.5	19.6	15.7	23.7	22.7	19.7	15.8	23.0	22.4	19.5	15.5	21.3	20.9	18.2	14.5
kW	1.05	1.08	1.11	1.15	1.14	1.17	1.21	1.25	1.22	1.25	1.29	1.33	1.28	1.32	1.36	1.41	1.34	1.38	1.42	1.48	1.39	1.43	1.48	1.53	
Amps	4.4	4.5	4.7	4.8	4.8	4.9	5.0	5.2	5.2	5.3	5.5	5.7	5.5	5.7	5.9	6.1	5.9	6.0	6.2	6.5	6.2	6.4	6.6	6.9	
Hi PR	210	226	239	249	236	254	268	279	268	288	304	318	305	328	347	362	343	369	390	407	379	408	431	450	
Lo PR	106	113	123	131	112	119	130	138	116	124	135	144	122	130	142	151	128	136	149	158	132	141	154	164	
MBh	17.5	17.9	19.1	20.5	17.1	17.5	18.7	20.0	16.7	17.1	18.2	19.5	16.3	16.7	17.8	19.0	15.5	15.8	16.9	18.1	14.3	14.7	15.7	16.7	
S/T	0.91	0.85	0.69	0.52	0.94	0.88	0.72	0.54	0.97	0.91	0.74	0.55	1.00	0.94	0.76	0.57	1.00	1.00	0.79	0.59	1.00	1.00	0.80	0.60	
Δ T	22.5	21.6	18.8	15.0	22.8	21.9	19.0	15.2	22.8	21.9	19.0	15.2	23.1	22.0	19.2	15.3	21.9	22.4	18.9	15.1	20.3	20.7	17.7	14.1	
kW	1.07	1.09	1.13	1.17	1.16	1.18	1.22	1.27	1.24	1.26	1.31	1.36	1.30	1.34	1.38	1.43	1.36	1.40	1.45	1.50	1.42	1.45	1.50	1.55	
Amps	4.5	4.6	4.7	4.9	4.8	4.9	5.1	5.3	5.2	5.4	5.6	5.8	5.6	5.8	5.9	6.2	6.0	6.1	6.3	6.6	6.3	6.5	6.7	7.0	
Hi PR	214	230	243	253	240	258	272	284	273	293	310	323	310	334	353	368	349	376	397	414	386	415	439	457	
Lo PR	108	115	125	133	114	121	132	141	118	126	137	146	124	132	144	154	130	139	151	161	135	143	157	167	

525	MBh	16.5	16.8	17.6	18.7	16.1	16.4	17.2	18.3	15.7	16.0	16.8	17.9	15.3	15.6	16.3	17.4	14.5	14.8	15.5	16.6	13.5	13.7	14.4	15.3
	S/T	0.92	0.89	0.80	0.65	0.95	0.92	0.83	0.67	0.98	0.94	0.85	0.69	1.00	0.97	0.88	0.71	1.00	1.00	0.91	0.74	1.00	1.00	0.92	0.75
	Δ T	26.5	26.1	24.6	21.3	26.8	26.4	24.9	21.6	26.9	26.4	25.0	21.6	26.8	26.6	25.1	21.8	25.5	26.0	24.8	21.5	23.6	24.1	23.2	20.0
	kW	1.05	1.07	1.11	1.15	1.14	1.16	1.20	1.24	1.21	1.24	1.28	1.33	1.28	1.31	1.36	1.41	1.34	1.37	1.42	1.47	1.39	1.42	1.47	1.53
	Amps	4.4	4.5	4.6	4.8	4.7	4.9	5.0	5.2	5.2	5.3	5.5	5.7	5.5	5.6	5.8	6.1	5.9	6.0	6.2	6.4	6.2	6.4	6.6	6.8
	Hi PR	209	225	238	248	235	253	267	278	267	287	303	317	304	327	346	361	342	368	389	406	378	407	430	448
	Lo PR	106	112	123	131	112	119	130	138	116	123	135	143	122	130	141	151	128	136	148	158	132	140	153	163
	MBh	17.3	17.6	18.5	19.7	16.9	17.2	18.0	19.2	16.5	16.8	17.6	18.8	16.1	16.4	17.2	18.3	15.3	15.6	16.3	17.4	14.2	14.4	15.1	16.1
	S/T	0.93	0.90	0.81	0.66	0.97	0.93	0.84	0.68	0.99	0.96	0.86	0.70	1.00	0.99	0.89	0.72	1.00	1.00	0.93	0.75	1.00	1.00	0.93	0.76
	Δ T	24.8	24.3	23.0	19.9	25.1	24.6	23.3	20.2	25.1	24.7	23.3	20.2	24.7	24.8	23.5	20.3	23.4	23.9	23.2	20.0	21.7	22.1	21.6	18.7
kW	1.06	1.08	1.12	1.16	1.15	1.18	1.22	1.26	1.23	1.26	1.30	1.35	1.30	1.33	1.37	1.42	1.36	1.39	1.44	1.49	1.41	1.44	1.49	1.54	
Amps	4.4	4.5	4.7	4.9	4.8	4.9	5.1	5.3	5.2	5.3	5.5	5.7	5.6	5.7	5.9	6.1	5.9	6.1	6.3	6.5	6.3	6.4	6.7	6.9	
Hi PR	212	228	241	251	238	256	270	282	271	291	308	321	308	332	350	365	347	373	394	411	383	412	435	454	
Lo PR	107	114	124	132	113	120	131	140	118	125	136	145	123	131	143	153	129	138	150	160	134	142	155	166	
MBh	17.8	18.2	19.0	20.3	17.4	17.8	18.6	19.8	17.0	17.3	18.2	19.4	16.6	16.9	17.7	18.9	15.8	16.1	16.8	18.0	14.6	14.9	15.6	16.6	
S/T	0.95	0.92	0.83	0.67	0.99	0.95	0.86	0.70	1.00	0.98	0.88	0.72	1.00	1.00	0.91	0.74	1.00	1.00	0.95	0.77	1.00	1.00	0.95	0.77	
Δ T	24.1	23.7	22.4	19.4	24.3	23.9	22.6	19.6	24.1	24.0	22.7	19.6	23.5	23.9	22.8	19.7	22.3	22.7	22.5	19.5	20.6	21.0	21.0	18.2	
kW	1.08	1.10	1.14	1.18	1.17	1.19	1.23	1.28	1.25	1.28	1.32	1.37	1.32	1.35	1.40	1.45	1.38	1.41	1.46	1.51	1.43	1.46	1.51	1.57	
Amps	4.5	4.6	4.8	4.9	4.9	5.0	5.2	5.4	5.3	5.4	5.6	5.8	5.7	5.8	6.0	6.2	6.0	6.2	6.4	6.6	6.4	6.6	6.8	7.0	
Hi PR	216	232	245	256	242	261	275	287	275	296	313	326	314	337	356	372	353	380	401	418	390	419	443	462	
Lo PR	109	116	126	135	115	122	134	142	120	127	139	148	126	134	146	155	132	140	153	163	136	145	158	168	

IDB: Entering Indoor Dry Bulb Temperature
 High and low pressures are measured at the liquid and suction service valves.
 Shaded area reflects AHRI conditions
 Amps = outdoor unit amps (comp.+fan)
 kW = Total system power

COOLING DATA — GSX130241D* / CA*F1824*6D*

IDB	AIRFLOW	OUTDOOR AMBIENT TEMPERATURE												ENTERING INDOOR WET BULB TEMPERATURE															
		65°F				75°F				85°F				95°F				105°F				115°F							
		59	63	67	71	59	63	67	71	59	63	67	71	59	63	67	71	59	63	67	71	59	63	67	71				
70	MBh	20.2	20.9	22.9	-	19.7	20.4	22.4	-	19.3	20.0	21.9	-	18.8	19.5	21.3	-	17.8	18.5	20.3	-	17.8	18.5	20.3	-	16.5	17.1	18.8	-
	S/T	0.69	0.58	0.40	-	0.72	0.60	0.41	-	0.73	0.61	0.42	-	0.76	0.63	0.44	-	0.79	0.66	0.46	-	0.79	0.66	0.46	-	0.79	0.66	0.46	-
	Δ T	18	16	12	-	19	16	12	-	19	16	12	-	19	16	12	-	18	16	12	-	18	16	12	-	17	15	11	-
	kW	1.60	1.63	1.68	-	1.71	1.75	1.80	-	1.82	1.85	1.91	-	1.91	1.95	2.01	-	1.98	2.02	2.09	-	1.98	2.02	2.09	-	2.05	2.09	2.16	-
	Amps	5.7	5.8	6.0	-	6.1	6.3	6.5	-	6.6	6.8	7.0	-	7.1	7.3	7.5	-	7.6	7.8	8.0	-	7.6	7.8	8.0	-	8.0	8.2	8.5	-
70	Hi PR	226	243	257	-	253	273	288	-	288	310	328	-	328	353	373	-	369	398	420	-	369	398	420	-	408	439	464	-
	Lo PR	99	105	115	-	105	111	122	-	109	116	126	-	114	122	133	-	120	127	139	-	120	127	139	-	124	132	144	-
	MBh	21.9	22.7	24.8	-	21.4	22.2	24.3	-	20.9	21.6	23.7	-	20.4	21.1	23.1	-	19.3	20.0	22.0	-	19.3	20.0	22.0	-	17.9	18.6	20.3	-
	S/T	0.72	0.60	0.41	-	0.74	0.62	0.43	-	0.76	0.64	0.44	-	0.79	0.66	0.45	-	0.82	0.68	0.47	-	0.82	0.68	0.47	-	0.82	0.69	0.48	-
	Δ T	18	16	12	-	18	16	12	-	18	16	12	-	18	16	12	-	18	16	12	-	18	16	12	-	17	15	11	-
70	kW	1.64	1.67	1.72	-	1.75	1.79	1.85	-	1.86	1.90	1.96	-	1.95	1.99	2.06	-	2.03	2.07	2.14	-	2.03	2.07	2.14	-	2.10	2.14	2.21	-
	Amps	5.8	6.0	6.1	-	6.3	6.4	6.7	-	6.8	7.0	7.2	-	7.3	7.5	7.8	-	7.8	8.0	8.3	-	7.8	8.0	8.3	-	8.3	8.5	8.8	-
	Hi PR	233	251	265	-	261	281	297	-	297	320	338	-	338	364	385	-	381	410	433	-	381	410	433	-	421	453	478	-
	Lo PR	102	109	119	-	108	115	125	-	112	119	130	-	118	125	137	-	124	131	143	-	124	131	143	-	128	136	148	-
	MBh	22.5	23.4	25.6	-	22.0	22.8	25.0	-	21.5	22.3	24.4	-	21.0	21.7	23.8	-	19.9	20.6	22.6	-	19.9	20.6	22.6	-	18.4	19.1	21.0	-
900	S/T	0.75	0.63	0.43	-	0.78	0.65	0.45	-	0.80	0.67	0.46	-	0.82	0.69	0.48	-	0.86	0.71	0.49	-	0.86	0.71	0.49	-	0.86	0.72	0.50	-
	Δ T	17	15	11	-	18	15	12	-	18	15	12	-	18	15	12	-	17	15	11	-	17	15	11	-	16	14	11	-
	kW	1.65	1.68	1.73	-	1.77	1.80	1.86	-	1.87	1.91	1.97	-	1.97	2.01	2.07	-	2.05	2.09	2.16	-	2.05	2.09	2.16	-	2.12	2.16	2.23	-
	Amps	5.9	6.0	6.2	-	6.3	6.5	6.7	-	6.9	7.1	7.3	-	7.4	7.6	7.8	-	7.9	8.1	8.3	-	7.9	8.1	8.3	-	8.3	8.6	8.8	-
	Hi PR	235	253	267	-	264	284	300	-	300	323	341	-	342	368	388	-	385	414	437	-	385	414	437	-	425	457	483	-
900	Lo PR	103	110	120	-	109	116	127	-	113	121	132	-	119	127	138	-	125	133	145	-	125	133	145	-	129	137	150	-

IDB	AIRFLOW	OUTDOOR AMBIENT TEMPERATURE												ENTERING INDOOR WET BULB TEMPERATURE															
		65°F				75°F				85°F				95°F				105°F				115°F							
		59	63	67	71	59	63	67	71	59	63	67	71	59	63	67	71	59	63	67	71	59	63	67	71				
700	MBh	20.5	21.1	22.9	24.6	20.1	20.7	22.4	24.0	19.6	20.2	21.8	23.4	19.1	19.7	21.3	22.9	18.2	18.7	20.2	21.7	18.2	18.7	20.2	21.7	16.8	17.3	18.7	20.1
	S/T	0.79	0.70	0.53	0.34	0.81	0.73	0.55	0.35	0.83	0.75	0.56	0.36	0.86	0.77	0.58	0.38	0.89	0.80	0.61	0.39	0.89	0.80	0.61	0.39	0.90	0.81	0.61	0.39
	Δ T	21	20	16	11	21	20	16	11	21	20	16	11	22	20	16	11	21	20	16	11	21	20	16	11	20	18	15	10
	kW	1.61	1.64	1.69	1.74	1.73	1.76	1.82	1.87	1.83	1.87	1.93	1.99	1.92	1.96	2.02	2.09	2.00	2.04	2.11	2.17	2.00	2.04	2.11	2.17	2.07	2.11	2.18	2.25
	Amps	5.7	5.8	6.0	6.3	6.2	6.3	6.5	6.8	6.7	6.9	7.1	7.4	7.2	7.4	7.6	7.9	7.6	7.8	8.1	8.4	7.6	7.8	8.1	8.4	8.1	8.3	8.6	8.9
700	Hi PR	228	246	259	270	256	276	291	303	291	313	331	345	332	357	377	393	373	402	424	442	373	402	424	442	412	444	469	489
	Lo PR	100	107	116	124	106	113	123	131	110	117	128	136	116	123	134	143	121	129	141	150	121	129	141	150	125	133	145	155
	MBh	22.3	22.9	24.8	26.6	21.7	22.4	24.2	26.0	21.2	21.8	23.6	25.4	20.7	21.3	23.1	24.8	19.7	20.2	21.9	23.5	19.7	20.2	21.9	23.5	18.2	18.8	20.3	21.8
	S/T	0.81	0.73	0.55	0.35	0.84	0.76	0.57	0.37	0.87	0.77	0.59	0.38	0.89	0.80	0.60	0.39	0.93	0.83	0.63	0.40	0.93	0.83	0.63	0.40	0.94	0.84	0.63	0.41
	Δ T	21	19	16	11	21	19	16	11	21	19	16	11	21	20	16	11	21	19	16	11	21	19	16	11	20	18	15	10
700	kW	1.65	1.68	1.73	1.78	1.77	1.80	1.86	1.92	1.87	1.91	1.97	2.04	1.97	2.01	2.07	2.14	2.05	2.09	2.16	2.23	2.05	2.09	2.16	2.23	2.12	2.16	2.23	2.30
	Amps	5.9	6.0	6.2	6.4	6.3	6.5	6.7	7.0	6.9	7.1	7.3	7.6	7.4	7.6	7.8	8.1	7.9	8.1	8.3	8.7	7.9	8.1	8.3	8.7	8.3	8.6	8.8	9.2
	Hi PR	235	253	267	279	264	284	300	313	300	323	341	356	342	368	389	405	385	414	437	456	385	414	437	456	425	457	483	504
	Lo PR	103	110	120	128	109	116	127	135	113	121	132	140	119	127	138	147	125	133	145	154	125	133	145	154	129	137	150	160
	MBh	22.9	23.6	25.5	27.4	22.4	23.0	24.9	26.8	21.9	22.5	24.4	26.1	21.3	22.0	23.8	25.5	20.3	20.9	22.6	24.2	20.3	20.9	22.6	24.2	18.8	19.3	20.9	22.4
900	S/T	0.85	0.76	0.58	0.37	0.89	0.79	0.60	0.39	0.91	0.81	0.61	0.40	0.94	0.84	0.63	0.41	0.97	0.87	0.66	0.42	0.97	0.87	0.66	0.42	0.98	0.88	0.66	0.43
	Δ T	20	18	15	10	20	19	15	11	20	19	15	11	20	19	15	11	20	19	15	10	20	19	15	10	19	17	14	10
	kW	1.66	1.69	1.75	1.80	1.78	1.82	1.87	1.93	1.89	1.93	1.99	2.05	1.98	2.03	2.09	2.16	2.06	2.11	2.18	2.25	2.06	2.11	2.18	2.25	2.13	2.18	2.25	2.32
	Amps	5.9	6.1	6.3	6.5	6.4	6.6	6.8	7.0	7.0	7.1	7.4	7.7	7.5	7.6	7.9	8.2	7.9	8.1	8.4	8.7	7.9	8.1	8.4	8.7	8.4	8.6	8.9	9.3
	Hi PR	238	256	270	282	267	287	303	316	303	326	345	359	345	372	392	409	389	418	442	461	389	418	442	461	429	462	488	509
900	Lo PR	104	111	121	129	110	117	128	136	114	122	133	142	120	128	140	149	126	134	146	156	126	134	146	156	130	139	151	161

IDB: Entering Indoor Dry Bulb Temperature
 High and low pressures are measured at the liquid and suction service valves.
 Shaded area reflects ACCA (TVA) conditions
 Amps = outdoor unit amps (comp. + fan)
 kW = Total system power

COOLING DATA — GSX130241D* / CA*F1824*6D* (CONT.)

IDB	AIRFLOW	OUTDOOR AMBIENT TEMPERATURE												ENTERING INDOOR WET BULB TEMPERATURE											
		65°F				75°F				85°F				95°F				105°F				115°F			
		59	63	67	71	59	63	67	71	59	63	67	71	59	63	67	71	59	63	67	71	59	63	67	71
80	MBh	20.9	21.4	22.8	24.4	20.4	20.9	22.3	23.8	19.9	20.4	21.8	23.3	19.4	19.9	21.2	22.7	18.5	18.9	20.2	21.6	17.1	17.5	18.7	20.0
	S/T	0.86	0.81	0.66	0.49	0.89	0.84	0.68	0.51	0.92	0.86	0.70	0.52	0.94	0.89	0.72	0.54	0.98	0.92	0.75	0.56	0.99	0.93	0.75	0.56
	Δ T	24	23	20	16	24	23	20	16	24	23	20	16	24	23	20	16	24	23	20	16	22	21	19	15
	kW	1.62	1.66	1.71	1.76	1.74	1.78	1.83	1.89	1.85	1.88	1.94	2.00	1.94	1.98	2.04	2.10	2.01	2.06	2.12	2.19	2.08	2.13	2.19	2.27
	Amps	5.8	5.9	6.1	6.3	6.2	6.4	6.6	6.8	6.8	6.9	7.2	7.4	7.2	7.4	7.7	8.0	7.7	7.9	8.2	8.5	8.2	8.4	8.7	9.0
	Hi PR	231	248	262	273	259	278	294	307	294	317	334	349	335	361	381	397	377	406	428	447	416	448	473	494
	Lo PR	101	108	117	125	107	114	124	132	111	118	129	137	117	124	136	144	122	130	142	151	126	135	147	156
	MBh	22.6	23.1	24.7	26.4	22.1	22.6	24.2	25.8	21.6	22.1	23.6	25.2	21.1	21.5	23.0	24.6	20.0	20.5	21.9	23.4	18.5	18.9	20.2	21.6
	S/T	0.89	0.84	0.68	0.51	0.93	0.87	0.71	0.53	0.95	0.89	0.72	0.54	0.98	0.92	0.75	0.56	1.00	0.95	0.78	0.58	1.00	0.96	0.78	0.59
	Δ T	23	22	19	15	24	23	20	16	24	23	20	16	24	23	20	16	23	22	19	16	21	21	18	15
kW	1.66	1.69	1.75	1.80	1.78	1.82	1.87	1.93	1.89	1.93	1.99	2.05	1.98	2.03	2.09	2.16	2.06	2.11	2.18	2.25	2.13	2.18	2.25	2.32	
Amps	5.9	6.1	6.3	6.5	6.4	6.6	6.8	7.0	7.0	7.1	7.4	7.7	7.5	7.6	7.9	8.2	7.9	8.1	8.4	8.7	8.4	8.6	8.9	9.3	
Hi PR	238	256	270	282	267	287	303	316	303	326	345	359	345	372	393	409	389	418	442	461	429	462	488	509	
Lo PR	104	111	121	129	110	117	128	136	115	122	133	142	120	128	140	149	126	134	146	156	130	139	151	161	
MBh	23.3	23.8	25.5	27.2	22.8	23.3	24.9	26.6	22.2	22.7	24.3	26.0	21.7	22.2	23.7	25.3	20.6	21.1	22.5	24.1	19.1	19.5	20.8	22.3	
S/T	0.94	0.88	0.71	0.53	0.97	0.91	0.74	0.55	1.00	0.93	0.76	0.57	1.00	0.96	0.78	0.59	1.00	1.00	0.81	0.61	1.00	1.00	0.82	0.61	
Δ T	22	21	19	15	23	22	19	15	23	22	19	15	22	22	19	15	21	22	19	15	20	20	17	14	
kW	1.67	1.71	1.76	1.81	1.80	1.83	1.89	1.95	1.90	1.94	2.00	2.07	2.00	2.04	2.11	2.17	2.08	2.13	2.19	2.26	2.15	2.20	2.27	2.34	
Amps	6.0	6.1	6.3	6.6	6.5	6.6	6.8	7.1	7.0	7.2	7.5	7.7	7.5	7.7	8.0	8.3	8.0	8.2	8.5	8.8	8.5	8.7	9.0	9.4	
Hi PR	240	258	273	284	269	290	306	319	306	330	348	363	349	375	396	413	392	422	446	465	434	467	493	514	
Lo PR	105	112	122	130	111	118	129	138	116	123	134	143	121	129	141	150	127	135	148	157	132	140	153	163	

700	MBh	21.3	21.7	22.7	24.2	20.8	21.2	22.2	23.7	20.3	20.7	21.7	23.1	19.8	20.2	21.1	22.5	18.8	19.2	20.1	21.4	17.4	17.7	18.6	19.8
	S/T	0.90	0.87	0.79	0.64	0.94	0.90	0.81	0.66	0.96	0.93	0.84	0.68	0.99	0.96	0.86	0.70	1.00	0.99	0.90	0.73	1.00	1.00	0.90	0.73
	Δ T	25	25	23	20	26	25	24	21	26	25	24	21	26	25	24	21	25	25	24	20	23	23	22	19
	kW	1.64	1.67	1.72	1.77	1.75	1.79	1.84	1.90	1.86	1.90	1.96	2.02	1.95	1.99	2.06	2.12	2.03	2.07	2.14	2.21	2.10	2.14	2.21	2.28
	Amps	5.8	5.9	6.1	6.4	6.3	6.4	6.7	6.9	6.8	7.0	7.2	7.5	7.3	7.5	7.7	8.0	7.8	8.0	8.3	8.6	8.3	8.5	8.8	9.1
	Hi PR	233	251	265	276	261	281	297	310	297	320	338	352	338	364	385	401	381	410	433	451	421	453	478	499
	Lo PR	102	109	119	126	108	115	125	134	112	119	130	139	118	125	137	146	123	131	143	153	128	136	148	158
	MBh	23.0	23.5	24.6	26.2	22.5	22.9	24.0	25.6	22.0	22.4	23.5	25.0	21.4	21.9	22.9	24.4	20.4	20.8	21.7	23.2	18.9	19.2	20.1	21.5
	S/T	0.94	0.90	0.82	0.66	0.97	0.94	0.85	0.69	1.00	0.96	0.87	0.70	1.00	0.99	0.89	0.73	1.00	1.00	0.93	0.75	1.00	1.00	0.94	0.76
	Δ T	25	24	23	20	25	25	23	20	25	25	23	20	25	25	24	20	23	24	23	20	22	22	20	19
kW	1.67	1.71	1.76	1.81	1.80	1.83	1.89	1.95	1.90	1.94	2.00	2.07	2.00	2.04	2.11	2.17	2.08	2.13	2.19	2.26	2.15	2.20	2.27	2.34	
Amps	6.0	6.1	6.3	6.6	6.5	6.6	6.8	7.1	7.0	7.2	7.5	7.7	7.5	7.7	8.0	8.3	8.0	8.2	8.5	8.8	8.5	8.7	9.0	9.4	
Hi PR	240	258	273	284	269	290	306	319	306	330	348	363	349	375	396	413	392	422	446	465	434	467	493	514	
Lo PR	105	112	122	130	111	118	129	138	116	123	134	143	121	129	141	150	127	135	148	157	132	140	153	163	
MBh	23.7	24.2	25.3	27.0	23.2	23.6	24.8	26.4	22.6	23.1	24.2	25.8	22.1	22.5	23.6	25.1	21.0	21.4	22.4	23.9	19.4	19.8	20.7	22.1	
S/T	0.98	0.95	0.86	0.69	1.00	0.98	0.89	0.72	1.00	1.00	0.91	0.74	1.00	1.00	0.94	0.76	1.00	1.00	0.97	0.79	1.00	1.00	0.98	0.80	
Δ T	24	23	22	19	24	24	22	19	23	24	22	19	23	23	23	20	21	22	22	19	20	20	21	18	
kW	1.69	1.72	1.77	1.83	1.81	1.85	1.90	1.96	1.92	1.96	2.02	2.09	2.02	2.06	2.12	2.19	2.10	2.14	2.21	2.28	2.17	2.22	2.29	2.36	
Amps	6.0	6.2	6.4	6.6	6.5	6.7	6.9	7.2	7.1	7.3	7.5	7.8	7.6	7.8	8.0	8.4	8.1	8.3	8.6	8.9	8.6	8.8	9.1	9.5	
Hi PR	242	261	275	287	272	293	309	322	309	333	352	367	352	379	400	418	396	427	450	470	438	471	498	519	
Lo PR	106	113	124	132	112	120	131	139	117	124	136	144	123	131	143	152	129	137	149	159	133	142	154	165	

IDB: Entering Indoor Dry Bulb Temperature
 High and low pressures are measured at the liquid and suction service valves.
 Shaded area reflects AHRI conditions
 Amps = outdoor unit amps (comp.+fan)
 kW = Total system power

COOLING DATA — GSX130301B* / CA*F3030*6D*

IDB	AIRFLOW	OUTDOOR AMBIENT TEMPERATURE												ENTERING INDOOR WET BULB TEMPERATURE											
		65°F				75°F				85°F				95°F				105°F				115°F			
		59	63	67	71	59	63	67	71	59	63	67	71	59	63	67	71	59	63	67	71	59	63	67	71
70	MBh	26.2	27.2	29.8	-	25.6	26.6	29.1	-	25.0	25.9	28.4	-	24.4	25.3	27.7	-	23.2	24.0	26.3	-	21.5	22.3	24.4	-
	S/T	0.71	0.59	0.41	-	0.74	0.62	0.43	-	0.76	0.63	0.44	-	0.78	0.65	0.45	-	0.81	0.68	0.47	-	0.82	0.68	0.47	-
	Δ T	18	16	12	-	18	16	12	-	18	16	12	-	19	16	12	-	18	16	12	-	17	15	11	-
	kW	2.01	2.05	2.11	-	2.15	2.20	2.26	-	2.28	2.33	2.40	-	2.39	2.44	2.51	-	2.48	2.54	2.62	-	2.57	2.62	2.70	-
	Amps	6.9	7.1	7.3	-	7.5	7.7	8.0	-	8.2	8.4	8.7	-	8.7	9.0	9.3	-	9.3	9.5	9.9	-	9.9	10.1	10.5	-
	Hi PR	244	262	277	-	274	294	311	-	311	335	354	-	354	381	403	-	399	429	453	-	440	474	501	-
	Lo PR	104	110	120	-	109	116	127	-	114	121	132	-	119	127	139	-	125	133	145	-	129	138	150	-
	MBh	26.6	27.6	30.3	-	26.0	27.0	29.5	-	25.4	26.3	28.8	-	24.8	25.7	28.1	-	23.5	24.4	26.7	-	21.8	22.6	24.8	-
	S/T	0.74	0.62	0.43	-	0.76	0.64	0.44	-	0.78	0.65	0.45	-	0.81	0.68	0.47	-	0.84	0.70	0.49	-	0.85	0.71	0.49	-
	Δ T	17	15	11	-	17	15	11	-	17	15	11	-	18	15	12	-	17	15	11	-	16	14	11	-
	kW	2.04	2.08	2.14	-	2.18	2.23	2.29	-	2.31	2.36	2.43	-	2.42	2.47	2.55	-	2.52	2.57	2.65	-	2.60	2.66	2.74	-
	Amps	7.0	7.2	7.5	-	7.6	7.8	8.1	-	8.3	8.5	8.8	-	8.9	9.1	9.4	-	9.5	9.7	10.0	-	10.0	10.3	10.6	-
Hi PR	248	267	282	-	278	299	316	-	317	341	360	-	360	388	410	-	406	436	461	-	448	482	509	-	
Lo PR	105	112	122	-	111	118	129	-	116	123	134	-	122	129	141	-	127	135	148	-	132	140	153	-	
MBh	27.0	28.0	30.7	-	26.4	27.4	30.0	-	25.8	26.7	29.3	-	25.2	26.1	28.6	-	23.9	24.8	27.1	-	22.1	22.9	25.1	-	
S/T	0.77	0.64	0.45	-	0.80	0.67	0.46	-	0.82	0.68	0.47	-	0.85	0.71	0.49	-	0.88	0.73	0.51	-	0.88	0.74	0.51	-	
Δ T	17	14	11	-	17	15	11	-	17	15	11	-	17	15	11	-	17	14	11	-	16	13	10	-	
kW	2.05	2.09	2.15	-	2.19	2.24	2.30	-	2.32	2.37	2.44	-	2.44	2.49	2.56	-	2.53	2.59	2.67	-	2.62	2.67	2.76	-	
Amps	7.1	7.3	7.5	-	7.7	7.9	8.1	-	8.4	8.6	8.9	-	8.9	9.2	9.5	-	9.5	9.8	10.1	-	10.1	10.4	10.7	-	
Hi PR	250	269	284	-	280	302	318	-	319	343	362	-	363	391	413	-	408	439	464	-	451	486	513	-	
Lo PR	106	113	123	-	112	119	130	-	116	124	135	-	122	130	142	-	128	136	149	-	133	141	154	-	
75	MBh	26.7	27.5	29.7	31.9	26.1	26.8	29.0	31.2	25.4	26.2	28.4	30.4	24.8	25.6	27.7	29.7	23.6	24.3	26.3	28.2	21.8	22.5	24.3	26.1
	S/T	0.81	0.72	0.55	0.35	0.84	0.75	0.57	0.36	0.86	0.77	0.58	0.37	0.89	0.79	0.60	0.39	0.92	0.82	0.62	0.40	0.93	0.83	0.63	0.40
	Δ T	21	19	16	11	21	20	16	11	21	20	16	11	21	20	16	11	21	19	16	11	20	18	15	10
	kW	2.03	2.07	2.13	2.19	2.17	2.21	2.28	2.35	2.30	2.34	2.42	2.49	2.41	2.46	2.53	2.61	2.50	2.56	2.64	2.72	2.59	2.64	2.72	2.81
	Amps	7.0	7.2	7.4	7.7	7.6	7.8	8.0	8.3	8.2	8.5	8.7	9.1	8.8	9.0	9.3	9.7	9.4	9.6	10.0	10.3	10.0	10.2	10.6	11.0
	Hi PR	246	265	280	292	276	297	314	328	314	338	357	373	358	385	407	424	403	433	458	477	445	479	506	527
	Lo PR	105	111	121	129	111	118	128	137	115	122	133	142	121	128	140	149	126	135	147	156	131	139	152	162
	MBh	27.1	27.9	30.2	32.4	26.5	27.2	29.5	31.6	25.8	26.6	28.8	30.9	25.2	25.9	28.1	30.1	23.9	24.6	26.7	28.6	22.2	22.8	24.7	26.5
	S/T	0.84	0.75	0.57	0.37	0.87	0.78	0.59	0.38	0.89	0.80	0.60	0.39	0.92	0.82	0.62	0.40	0.95	0.85	0.65	0.42	0.96	0.86	0.65	0.42
	Δ T	20	18	15	10	20	19	15	10	20	19	15	10	20	19	15	11	20	18	15	10	19	17	14	10
	kW	2.05	2.09	2.15	2.22	2.20	2.24	2.31	2.38	2.33	2.38	2.45	2.52	2.44	2.49	2.57	2.65	2.54	2.59	2.67	2.76	2.62	2.68	2.76	2.85
	Amps	7.1	7.3	7.5	7.8	7.7	7.9	8.2	8.5	8.4	8.6	8.9	9.2	9.0	9.2	9.5	9.9	9.6	9.8	10.1	10.5	10.1	10.4	10.7	11.2
Hi PR	251	270	285	297	281	303	319	333	320	344	363	379	364	392	414	432	410	441	466	486	453	487	514	536	
Lo PR	106	113	124	132	112	120	131	139	117	124	136	145	123	131	143	152	129	137	149	159	133	142	155	165	
MBh	27.5	28.3	30.6	32.9	26.9	27.7	29.9	32.1	26.2	27.0	29.2	31.4	25.6	26.3	28.5	30.6	24.3	25.0	27.1	29.1	22.5	23.2	25.1	26.9	
S/T	0.88	0.78	0.59	0.38	0.91	0.81	0.61	0.40	0.93	0.83	0.63	0.41	0.96	0.86	0.65	0.42	1.00	0.89	0.67	0.43	1.00	0.90	0.68	0.44	
Δ T	19	18	14	10	19	18	15	10	19	18	15	10	20	18	15	10	19	18	15	10	18	17	14	9	
kW	2.06	2.10	2.16	2.23	2.21	2.25	2.32	2.39	2.34	2.39	2.46	2.54	2.45	2.51	2.58	2.67	2.55	2.61	2.69	2.77	2.64	2.69	2.78	2.87	
Amps	7.2	7.3	7.6	7.9	7.8	7.9	8.2	8.5	8.4	8.6	8.9	9.3	9.0	9.2	9.6	9.9	9.6	9.9	10.2	10.6	10.2	10.5	10.8	11.2	
Hi PR	252	272	287	299	283	305	322	336	322	346	366	382	367	395	417	435	413	444	469	489	456	491	518	540	
Lo PR	107	114	124	133	113	120	131	140	118	125	137	146	124	131	144	153	130	138	150	160	134	143	156	166	

IDB: Entering Indoor Dry Bulb Temperature
 High and low pressures are measured at the liquid and suction service valves.
 Shaded area reflects ACCA (TVA) conditions
 Amps = outdoor unit amps (comp.+fan)
 kW = Total system power

COOLING DATA — GSX130301B* / CA*F3030*6D* (CONT.)

IDB	AIRFLOW	OUTDOOR AMBIENT TEMPERATURE															ENTERING INDOOR WET BULB TEMPERATURE																																																																																																																																																																																																																																																																																																																																																												
		65°F					75°F					85°F					95°F					105°F					115°F																																																																																																																																																																																																																																																																																																																																																		
		59	63	67	71	75	59	63	67	71	75	59	63	67	71	75	59	63	67	71	75	59	63	67	71	75	59	63	67	71	75																																																																																																																																																																																																																																																																																																																																														
80	945	MBh	27.2	27.8	29.6	31.7	26.5	27.1	29.0	31.0	25.9	26.5	28.3	30.2	25.3	25.8	27.6	29.5	24.0	24.5	26.2	28.0	22.2	22.7	24.3	25.9	0.89	0.83	0.68	0.51	0.92	0.86	0.70	0.52	0.94	0.88	0.72	0.54	0.97	0.91	0.74	0.56	1.01	0.95	0.77	0.58	1.00	0.95	0.78	0.58	2.04	2.08	2.14	2.21	2.19	2.23	2.30	2.37	2.31	2.36	2.43	2.51	2.43	2.48	2.56	2.64	2.52	2.58	2.66	2.74	2.61	2.66	2.75	2.83	249	268	283	295	279	300	317	331	317	342	361	376	362	389	411	429	407	438	462	449	484	511	533	106	112	123	131	112	119	130	138	116	123	135	144	122	130	142	151	128	136	148	158	132	141	153	163	27.6	28.2	30.1	32.2	26.9	27.5	29.4	31.4	26.3	26.9	28.7	30.7	25.6	26.2	28.0	29.9	24.4	24.9	26.6	28.4	22.6	23.1	24.6	26.3	0.92	0.86	0.70	0.52	0.95	0.89	0.73	0.54	0.98	0.92	0.75	0.56	1.00	0.95	0.77	0.58	1.00	0.98	0.80	0.60	1.00	0.99	0.81	0.60	2.07	2.11	2.17	2.23	2.21	2.26	2.33	2.40	2.35	2.39	2.47	2.54	2.46	2.51	2.59	2.67	2.56	2.61	2.69	2.78	2.64	2.70	2.78	2.87	253	272	288	300	284	306	323	337	323	348	367	383	368	396	418	436	414	445	470	490	457	492	520	542	107	114	125	133	114	121	132	140	118	126	137	146	124	132	144	153	130	138	151	161	134	143	156	166	28.0	28.6	30.6	32.7	27.3	27.9	29.8	31.9	26.7	27.3	29.1	31.1	26.0	26.6	28.4	30.4	24.7	25.3	27.0	28.9	22.9	23.4	25.0	26.7	0.96	0.90	0.73	0.55	1.00	0.93	0.76	0.57	1.00	0.96	0.78	0.58	1.00	1.00	0.80	0.60	1.00	1.00	0.83	0.62	1.00	1.00	0.84	0.63	2.08	2.12	2.18	2.25	2.23	2.27	2.34	2.41	2.36	2.41	2.48	2.56	2.47	2.53	2.60	2.69	2.57	2.63	2.71	2.80	2.66	2.71	2.80	2.89	255	274	290	302	286	308	325	339	325	350	370	385	370	399	421	439	417	448	474	494	460	495	523	546	108	115	126	134	114	122	133	141	119	126	138	147	125	133	145	154	131	139	152	162	135	144	157	167				
		85	945	MBh	27.6	28.2	29.5	31.5	27.0	27.5	28.8	30.7	26.3	26.9	28.1	30.0	25.7	26.2	27.4	29.3	24.4	24.9	26.1	27.8	22.6	23.1	24.1	25.8	0.93	0.87	0.71	0.54	0.96	0.90	0.74	0.56	0.99	0.93	0.76	0.58	1.00	0.98	0.89	0.72	1.00	1.00	0.92	0.75	1.00	1.00	0.93	0.75	2.06	2.10	2.16	2.22	2.20	2.25	2.31	2.39	2.33	2.38	2.45	2.53	2.45	2.50	2.58	2.66	2.54	2.60	2.68	2.76	2.63	2.68	2.77	2.86	251	270	286	298	282	303	320	334	321	345	364	380	365	393	415	433	411	442	467	487	454	489	516	538	107	114	124	132	113	120	131	139	117	125	136	145	123	131	143	152	129	137	150	160	133	142	155	165	28.1	28.6	29.9	32.0	27.4	27.9	29.3	31.2	26.7	27.3	28.6	30.5	26.1	26.6	27.9	29.7	24.8	25.3	26.5	28.2	23.0	23.4	24.5	26.2	0.96	0.93	0.84	0.68	1.00	0.96	0.87	0.71	1.00	0.99	0.89	0.72	1.00	1.00	0.92	0.75	1.00	1.00	0.96	0.78	1.00	1.00	0.96	0.78	2.08	2.12	2.19	2.25	2.23	2.28	2.35	2.42	2.36	2.41	2.49	2.56	2.48	2.53	2.61	2.69	2.58	2.63	2.72	2.80	2.66	2.72	2.81	2.90	256	275	290	303	287	309	326	340	326	351	371	387	372	400	422	440	418	450	475	495	462	497	525	547	109	116	126	134	115	122	133	142	119	127	138	147	125	133	145	155	131	140	152	162	136	144	158	168	28.5	29.0	30.4	32.4	27.8	28.4	29.7	31.7	27.1	27.7	29.0	30.9	26.5	27.0	28.3	30.2	25.2	25.7	26.9	28.7	23.3	23.8	24.9	26.5	0.90	0.88	0.71	0.54	1.00	1.00	0.91	0.74	1.00	1.00	0.93	0.76	1.00	1.00	0.96	0.78	1.00	1.00	0.96	0.78	1.00	1.00	0.96	0.78	2.09	2.13	2.20	2.26	2.24	2.29	2.36	2.43	2.38	2.43	2.50	2.58	2.49	2.55	2.62	2.71	2.59	2.65	2.73	2.82	2.68	2.74	2.82	2.91	257	277	292	305	289	311	328	342	328	353	373	389	374	403	425	443	421	453	478	499	465	500	528	551	109	116	127	135	116	123	134	143	120	128	139	148	126	134	146	156	132	141	153	163	137	145	159	169	
				1155	945	MBh	27.6	28.2	29.5	31.5	27.0	27.5	28.8	30.7	26.3	26.9	28.1	30.0	25.7	26.2	27.4	29.3	24.4	24.9	26.1	27.8	22.6	23.1	24.1	25.8	0.93	0.87	0.71	0.54	0.96	0.90	0.74	0.56	0.99	0.93	0.76	0.58	1.00	0.98	0.89	0.72	1.00	1.00	0.92	0.75	1.00	1.00	0.93	0.75	2.06	2.10	2.16	2.22	2.20	2.25	2.31	2.39	2.33	2.38	2.45	2.53	2.45	2.50	2.58	2.66	2.54	2.60	2.68	2.76	2.63	2.68	2.77	2.86	251	270	286	298	282	303	320	334	321	345	364	380	365	393	415	433	411	442	467	487	454	489	516	538	107	114	124	132	113	120	131	139	117	125	136	145	123	131	143	152	129	137	150	160	133	142	155	165	28.1	28.6	29.9	32.0	27.4	27.9	29.3	31.2	26.7	27.3	28.6	30.5	26.1	26.6	27.9	29.7	24.8	25.3	26.5	28.2	23.0	23.4	24.5	26.2	0.96	0.93	0.84	0.68	1.00	0.96	0.87	0.71	1.00	0.99	0.89	0.72	1.00	1.00	0.92	0.75	1.00	1.00	0.96	0.78	1.00	1.00	0.96	0.78	2.08	2.12	2.19	2.25	2.23	2.28	2.35	2.42	2.36	2.41	2.49	2.56	2.48	2.53	2.61	2.69	2.58	2.63	2.72	2.80	2.66	2.72	2.81	2.90	256	275	290	303	287	309	326	340	326	351	371	387	372	400	422	440	418	450	475	495	462	497	525	547	109	116	126	134	115	122	133	142	119	127	138	147	125	133	145	155	131	140	152	162	136	144	158	168	28.5	29.0	30.4	32.4	27.8	28.4	29.7	31.7	27.1	27.7	29.0	30.9	26.5	27.0	28.3	30.2	25.2	25.7	26.9	28.7	23.3	23.8	24.9	26.5	0.90	0.88	0.71	0.54	1.00	1.00	0.91	0.74	1.00	1.00	0.93	0.76	1.00	1.00	0.96	0.78	1.00	1.00	0.96	0.78	1.00	1.00	0.96	0.78	2.09	2.13	2.20	2.26	2.24	2.29	2.36	2.43	2.38	2.43	2.50	2.58	2.49	2.55	2.62	2.71	2.59	2.65	2.73	2.82	2.68	2.74	2.82	2.91	257	277	292	305	289	311	328	342	328	353	373	389	374	403	425	443	421	453	478	499	465	500	528	551	109	116	127	135	116	123	134	143	120	128	139	148	126	134	146	156	132	141	153	163	137	145	159

IDB: Entering Indoor Dry Bulb Temperature
 High and low pressures are measured at the liquid and suction service valves.
 Shaded area reflects AHRI conditions
 Amps = outdoor unit amps (comp. + fan)
 kW = Total system power

COOLING DATA — GSX130361C* / CA* F3642* 6C*

IDB	AIRFLOW	OUTDOOR AMBIENT TEMPERATURE												ENTERING INDOOR WET BULB TEMPERATURE											
		65°F				75°F				85°F				95°F				105°F				115°F			
		59	63	67	71	59	63	67	71	59	63	67	71	59	63	67	71	59	63	67	71	59	63	67	71
70	MBh	32.8	34.0	37.2	-	32.0	33.2	36.4	-	31.3	32.4	35.5	-	30.5	31.6	34.6	-	29.0	30.0	32.9	-	26.8	27.8	30.5	-
	S/T	0.80	0.67	0.47	-	0.83	0.70	0.48	-	0.85	0.71	0.49	-	0.88	0.74	0.51	-	0.92	0.76	0.53	-	0.92	0.77	0.53	-
	Δ T	18	16	12	-	18	16	12	-	18	16	12	-	18	16	12	-	18	16	12	-	17	15	11	-
	kW	1.92	1.97	2.06	-	2.12	2.19	2.28	-	2.31	2.37	2.48	-	2.47	2.54	2.65	-	2.61	2.68	2.80	-	2.72	2.80	2.92	-
	Amps	10.4	10.6	11.0	-	11.2	11.5	11.9	-	12.2	12.5	12.9	-	13.0	13.4	13.8	-	13.9	14.2	14.7	-	14.7	15.1	15.6	-
	Hi PR	200	215	227	-	224	241	255	-	255	275	290	-	291	313	330	-	327	352	371	-	361	389	410	-
	Lo PR	97	104	113	-	103	109	119	-	107	114	124	-	112	119	130	-	118	125	137	-	122	130	141	-
	MBh	31.7	32.8	36.0	-	30.9	32.1	35.1	-	30.2	31.3	34.3	-	29.5	30.5	33.5	-	28.0	29.0	31.8	-	25.9	26.9	29.4	-
	S/T	0.76	0.63	0.44	-	0.78	0.66	0.45	-	0.80	0.67	0.47	-	0.83	0.69	0.48	-	0.86	0.72	0.50	-	0.87	0.73	0.50	-
	Δ T	22	19	15	-	23	20	15	-	23	20	15	-	23	20	15	-	22	19	15	-	21	18	14	-
kW	1.88	1.93	2.02	-	2.08	2.14	2.23	-	2.26	2.32	2.42	-	2.42	2.49	2.59	-	2.55	2.62	2.74	-	2.67	2.74	2.86	-	
Amps	10.2	10.5	10.8	-	11.0	11.3	11.7	-	12.0	12.3	12.7	-	12.8	13.1	13.5	-	13.6	14.0	14.4	-	14.4	14.8	15.3	-	
Hi PR	196	211	223	-	220	237	250	-	250	269	284	-	285	307	324	-	320	345	364	-	354	381	402	-	
Lo PR	95	102	111	-	101	107	117	-	105	112	122	-	110	117	128	-	115	123	134	-	119	127	139	-	
MBh	32.0	33.2	36.3	-	31.2	32.4	35.5	-	30.5	31.6	34.6	-	29.8	30.8	33.8	-	28.3	29.3	32.1	-	26.2	27.1	29.7	-	
S/T	0.77	0.64	0.45	-	0.80	0.67	0.46	-	0.82	0.68	0.47	-	0.85	0.71	0.49	-	0.88	0.73	0.51	-	0.89	0.74	0.51	-	
Δ T	22	19	14	-	22	19	14	-	22	19	14	-	22	19	14	-	22	19	14	-	20	18	13	-	
kW	1.88	1.94	2.02	-	2.08	2.15	2.24	-	2.26	2.33	2.43	-	2.42	2.49	2.60	-	2.56	2.63	2.74	-	2.67	2.75	2.87	-	
Amps	10.2	10.5	10.8	-	11.1	11.3	11.7	-	12.0	12.3	12.7	-	12.8	13.1	13.6	-	13.7	14.0	14.5	-	14.5	14.8	15.3	-	
Hi PR	197	212	223	-	221	237	251	-	251	270	285	-	286	307	325	-	321	346	365	-	355	382	404	-	
Lo PR	96	102	111	-	101	108	117	-	105	112	122	-	110	117	128	-	116	123	134	-	120	127	139	-	

75	MBh	33.34	34.32	37.15	39.87	32.56	33.52	36.29	38.94	31.78	32.73	35.42	38.02	31.01	31.93	34.56	37.09	29.46	30.33	32.83	35.24	27.29	28.10	30.41	32.64
	S/T	0.91	0.82	0.62	0.40	0.95	0.85	0.64	0.41	0.97	0.87	0.66	0.42	1.00	0.90	0.68	0.44	1.00	0.93	0.70	0.45	1.00	0.94	0.71	0.46
	Δ T	21	19	16	11	21	19	16	11	21	19	16	11	21	20	16	11	20	19	16	11	19	18	15	10
	kW	1.94	2.00	2.08	2.18	2.15	2.21	2.31	2.41	2.33	2.40	2.50	2.61	2.50	2.57	2.68	2.79	2.63	2.71	2.83	2.95	2.75	2.83	2.95	3.08
	Amps	10.5	10.7	11.1	11.5	11.3	11.6	12.0	12.4	12.3	12.6	13.0	13.5	13.2	13.5	13.9	14.5	14.0	14.3	14.8	15.4	14.8	15.2	15.7	16.3
	Hi PR	202	217	229	239	227	244	257	269	258	277	293	305	294	316	334	348	330	355	375	391	365	393	415	432
	Lo PR	98	105	114	122	104	111	121	129	108	115	125	134	113	121	132	140	119	127	138	147	123	131	143	152
	MBh	32.2	33.2	35.9	38.5	31.5	32.4	35.1	37.6	30.7	31.6	34.2	36.7	30.0	30.8	33.4	35.8	28.5	29.3	31.7	34.0	26.4	27.1	29.4	31.5
	S/T	0.86	0.77	0.58	0.37	0.89	0.80	0.60	0.39	0.91	0.82	0.62	0.40	0.94	0.84	0.64	0.41	0.98	0.88	0.66	0.43	0.99	0.88	0.67	0.43
	Δ T	26	24	19	13	26	24	20	14	26	24	20	14	26	24	20	14	26	24	20	14	24	22	18	13
kW	1.90	1.95	2.04	2.13	2.10	2.16	2.26	2.36	2.28	2.35	2.45	2.56	2.44	2.51	2.62	2.73	2.58	2.65	2.77	2.89	2.70	2.77	2.89	3.02	
Amps	10.3	10.6	10.9	11.3	11.1	11.4	11.8	12.2	12.1	12.4	12.8	13.3	12.9	13.2	13.7	14.2	13.7	14.1	14.6	15.1	14.6	14.9	15.4	16.0	
Hi PR	198	213	225	235	222	239	252	263	253	272	287	299	288	310	327	341	324	348	368	384	358	385	406	424	
Lo PR	96	103	112	119	102	108	118	126	106	113	123	131	111	118	129	138	117	124	135	144	121	128	140	149	
MBh	32.5	33.5	36.3	38.9	31.8	32.7	35.4	38.0	31.0	31.9	34.6	37.1	30.3	31.16	33.7	36.2	28.7	29.6	32.0	34.4	26.6	27.4	29.7	31.9	
S/T	0.88	0.78	0.59	0.38	0.91	0.81	0.62	0.40	0.93	0.83	0.63	0.41	0.96	0.86	0.65	0.42	1.00	0.89	0.68	0.43	1.00	0.90	0.68	0.44	
Δ T	25	23	19	13	25	23	19	13	25	23	19	13	25	23	19	13	25	23	19	13	23	22	18	12	
kW	1.90	1.96	2.05	2.14	2.11	2.17	2.27	2.36	2.29	2.36	2.46	2.57	2.45	2.52	2.63	2.74	2.59	2.66	2.78	2.89	2.70	2.78	2.90	3.03	
Amps	10.3	10.6	10.9	11.3	11.2	11.4	11.8	12.2	12.1	12.4	12.8	13.3	13.0	13.3	13.7	14.2	13.8	14.1	14.6	15.1	14.6	15.0	15.5	16.1	
Hi PR	199	214	226	235	223	240	253	264	253	273	288	300	289	311	328	342	325	349	369	385	359	386	408	425	
Lo PR	97	103	112	120	102	109	119	126	106	113	123	131	112	119	130	138	117	124	136	145	121	129	140	150	

IDB: Entering Indoor Dry Bulb Temperature
 High and low pressures are measured at the liquid and suction service valves.
 Shaded area reflects ACCA (TVA) conditions
 Amps = outdoor unit amps (comp.+fan)
 kW = Total system power

COOLING DATA — GSX130361C* / CA*F3642*6C* (CONT.)

IDB	AIRFLOW	OUTDOOR AMBIENT TEMPERATURE												ENTERING INDOOR WET BULB TEMPERATURE											
		65°F				75°F				85°F				95°F				105°F				115°F			
		59	63	67	71	59	63	67	71	59	63	67	71	59	63	67	71	59	63	67	71	59	63	67	71
80	MBh	33.93	34.67	37.04	39.59	33.14	33.86	36.18	38.67	32.35	33.06	35.32	37.75	31.56	32.25	34.46	36.83	29.98	30.64	32.73	34.99	27.77	28.38	30.32	32.41
	S/T	1.00	0.94	0.77	0.57	1.00	1.00	0.79	0.59	1.00	1.00	0.81	0.61	1.00	1.00	0.84	0.63	1.00	1.00	0.87	0.65	1.00	1.00	0.88	0.66
	Δ T	23	22	19	15	23	23	20	16	22	23	20	16	21	22	20	16	20	21	19	16	19	19	18	14
	kW	1.96	2.02	2.11	2.20	2.17	2.24	2.33	2.43	2.36	2.43	2.53	2.64	2.52	2.60	2.71	2.82	2.66	2.74	2.86	2.98	2.78	2.86	2.99	3.11
	Amps	10.6	10.8	11.2	11.6	11.4	11.7	12.1	12.5	12.4	12.7	13.1	13.6	13.3	13.6	14.1	14.6	14.1	14.5	15.0	15.5	15.0	15.3	15.9	16.5
	Hi PR	204	220	232	242	229	246	260	271	260	280	296	309	296	319	337	351	334	359	379	395	369	397	419	437
	Lo PR	99	106	115	123	105	112	122	130	109	116	127	135	115	122	133	142	120	128	139	149	124	132	144	154
	MBh	32.8	33.5	35.8	38.3	32.0	32.7	35.0	37.4	31.3	31.9	34.1	36.5	30.5	31.2	33.3	35.6	29.0	29.6	31.6	33.8	26.8	27.4	29.3	31.3
	S/T	0.94	0.88	0.72	0.54	0.98	0.92	0.75	0.56	1.00	0.94	0.77	0.57	1.00	0.97	0.79	0.59	1.00	1.00	0.82	0.61	1.00	1.00	0.83	0.62
	Δ T	29	28	24	19	29	28	24	19	29	28	24	19	28	28	25	20	27	28	24	19	25	26	23	18
kW	1.92	1.97	2.06	2.15	2.12	2.19	2.28	2.38	2.31	2.38	2.48	2.59	2.47	2.54	2.65	2.76	2.61	2.68	2.80	2.92	2.72	2.80	2.92	3.05	
Amps	10.4	10.6	11.0	11.4	11.2	11.5	11.9	12.3	12.2	12.5	12.9	13.4	13.0	13.4	13.8	14.3	13.9	14.2	14.7	15.2	14.7	15.1	15.6	16.2	
Hi PR	200	215	227	237	224	241	255	266	255	275	290	302	291	313	330	345	327	352	372	388	361	389	411	428	
Lo PR	97	104	113	120	103	109	120	127	107	114	124	132	112	120	131	139	118	125	137	146	122	130	141	151	
MBh	33.1	33.8	36.1	38.6	32.3	33.0	35.3	37.7	31.6	32.3	34.5	36.8	30.8	31.5	33.6	35.9	29.3	29.9	31.9	34.1	27.1	27.7	29.6	31.6	
S/T	0.96	0.90	0.73	0.55	1.00	0.94	0.76	0.57	1.00	0.96	0.78	0.58	1.00	0.99	0.81	0.60	1.00	1.00	0.84	0.62	1.00	1.00	0.84	0.63	
Δ T	28	27	23	19	28	27	24	19	28	27	24	19	27	27	24	19	26	26	23	19	24	24	22	17	
kW	1.92	1.98	2.07	2.16	2.13	2.19	2.29	2.39	2.32	2.38	2.49	2.59	2.48	2.55	2.66	2.77	2.61	2.69	2.81	2.93	2.73	2.81	2.93	3.06	
Amps	10.4	10.7	11.0	11.4	11.3	11.5	11.9	12.4	12.2	12.5	12.9	13.4	13.1	13.4	13.8	14.4	13.9	14.3	14.7	15.3	14.7	15.1	15.6	16.2	
Hi PR	201	216	228	238	225	242	256	267	256	275	291	303	292	314	331	346	328	353	373	389	362	390	412	430	
Lo PR	98	104	113	121	103	110	120	128	107	114	125	133	113	120	131	139	118	126	137	146	122	130	142	151	

1350	MBh	34.52	35.19	36.85	39.32	33.72	34.37	36.00	38.40	32.92	33.55	35.14	37.49	32.11	32.73	34.28	36.57	30.51	31.10	32.57	34.75	28.26	28.81	30.17	32.19
	S/T	1.00	1.00	0.92	0.74	1.00	1.00	0.95	0.77	1.00	1.00	0.97	0.79	1.00	1.00	0.94	0.81	1.00	1.00	0.98	0.85	1.00	1.00	1.00	0.85
	Δ T	24	24	23	20	23	23	23	20	22	23	23	20	22	22	23	20	21	21	22	20	19	20	21	19
	kW	1.98	2.04	2.13	2.22	2.20	2.26	2.36	2.46	2.38	2.45	2.56	2.67	2.55	2.62	2.74	2.85	2.69	2.77	2.89	3.01	2.81	2.89	3.02	3.15
	Amps	10.7	10.9	11.3	11.7	11.5	11.8	12.2	12.7	12.5	12.8	13.3	13.8	13.4	13.7	14.2	14.7	14.3	14.6	15.1	15.7	15.1	15.5	16.0	16.6
	Hi PR	206	222	234	244	231	249	263	274	263	283	299	312	299	322	340	355	337	363	383	399	372	401	423	441
	Lo PR	100	107	117	124	106	113	123	131	110	117	128	136	116	123	134	143	121	129	141	150	125	133	146	155
	MBh	33.4	34.0	35.6	38.0	32.6	33.2	34.8	37.1	31.8	32.4	34.0	36.2	31.0	31.6	33.1	35.3	29.5	30.0	31.5	33.6	27.3	27.8	29.1	31.1
	S/T	0.99	0.95	0.86	0.70	1.00	0.99	0.89	0.72	1.00	1.00	0.92	0.74	1.00	1.00	0.94	0.77	1.00	1.00	0.98	0.80	1.00	1.00	0.99	0.80
	Δ T	31	30	29	25	30	31	29	25	30	30	29	25	29	29	29	25	27	28	29	25	25	26	27	23
kW	1.94	2.00	2.08	2.18	2.15	2.21	2.31	2.41	2.33	2.40	2.50	2.61	2.50	2.57	2.68	2.79	2.63	2.71	2.83	2.95	2.75	2.83	2.95	3.08	
Amps	10.5	10.7	11.1	11.5	11.3	11.6	12.0	12.4	12.3	12.6	13.0	13.5	13.2	13.5	13.9	14.5	14.0	14.3	14.8	15.4	14.8	15.2	15.7	16.3	
Hi PR	202	217	230	239	227	244	258	269	258	277	293	305	294	316	334	348	330	355	375	391	365	393	415	432	
Lo PR	98	105	114	122	104	111	121	129	108	115	125	134	113	121	132	140	119	127	138	147	123	131	143	152	
MBh	33.7	34.3	36.0	38.4	32.9	33.5	35.1	37.5	32.1	32.7	34.3	36.6	31.3	31.9	33.5	35.7	29.8	30.3	31.8	33.9	27.6	28.1	29.4	31.4	
S/T	1.00	0.97	0.88	0.71	1.00	1.00	0.91	0.74	1.00	1.00	0.93	0.76	1.00	1.00	0.96	0.78	1.00	1.00	0.98	0.81	1.00	1.00	1.00	0.82	
Δ T	29	29	28	24	29	29	28	24	28	29	28	24	27	28	28	24	26	27	28	24	24	25	26	22	
kW	1.95	2.00	2.09	2.18	2.16	2.22	2.32	2.42	2.34	2.41	2.51	2.62	2.50	2.58	2.69	2.80	2.64	2.72	2.84	2.96	2.76	2.84	2.96	3.09	
Amps	10.5	10.8	11.1	11.5	11.4	11.6	12.0	12.5	12.3	12.6	13.1	13.6	13.2	13.5	14.0	14.5	14.0	14.4	14.9	15.4	14.9	15.2	15.8	16.4	
Hi PR	203	218	230	240	227	245	258	269	259	278	294	306	294	317	335	349	331	356	376	393	366	394	416	434	
Lo PR	99	105	115	122	104	111	121	129	108	115	126	134	114	121	132	141	119	127	139	148	123	131	143	153	

IDB: Entering Indoor Dry Bulb Temperature
 High and low pressures are measured at the liquid and suction service valves.
 Shaded area reflects AHRI conditions
 Amps = outdoor unit amps (comp.+fan)
 kW = Total system power

COOLING DATA — GSX130361E* / CA*F3636*6D*

IDB		OUTDOOR AMBIENT TEMPERATURE												ENTERING INDOOR WET BULB TEMPERATURE																
		65				75				85				95				105				115								
		59	63	67	71	59	63	67	71	59	63	67	71	59	63	67	71	59	63	67	71	59	63	67	71					
70	1350	MBh	32.9	34.1	37.4	-	32.2	33.3	36.5	-	31.4	32.5	35.7	-	30.6	31.7	34.8	-	29.1	30.2	33.0	-	29.1	30.2	33.0	-	27.0	27.9	30.6	-
		S/T	0.77	0.65	0.45	-	0.80	0.67	0.46	-	0.82	0.69	0.48	-	0.85	0.71	0.49	-	0.88	0.74	0.51	-	0.88	0.74	0.51	-	0.89	0.74	0.51	-
		Δ T	17	15	11	-	18	15	12	-	18	15	12	-	18	15	12	-	17	15	11	-	17	15	11	-	16	14	11	-
		kW	2.44	2.49	2.55	-	2.61	2.65	2.73	-	2.75	2.80	2.88	-	2.88	2.94	3.02	-	2.99	3.05	3.14	-	2.99	3.05	3.14	-	3.08	3.14	3.24	-
		/anos	9.7	9.9	10.0	-	10.1	10.3	10.5	-	10.6	10.8	11.0	-	11.0	11.2	11.4	-	11.4	11.6	11.8	-	11.4	11.6	11.8	-	11.8	12.0	12.2	-
		Hi PR	183	197	208	-	205	221	234	-	234	252	266	-	266	286	302	-	299	322	340	-	299	322	340	-	331	356	376	-
	Lo PR	95	101	110	-	100	107	117	-	104	111	121	-	110	117	127	-	115	122	134	-	115	122	134	-	119	126	138	-	
	MBh	32.0	33.1	36.3	-	31.2	32.4	35.5	-	30.5	31.6	34.6	-	29.7	30.8	33.8	-	28.2	29.3	32.1	-	28.2	29.3	32.1	-	26.2	27.1	29.7	-	
	S/T	0.74	0.62	0.43	-	0.76	0.64	0.44	-	0.78	0.65	0.45	-	0.81	0.68	0.47	-	0.84	0.70	0.49	-	0.84	0.70	0.49	-	0.85	0.71	0.49	-	
	Δ T	18	16	12	-	18	16	12	-	18	16	12	-	18	16	12	-	18	16	12	-	18	16	12	-	17	15	11	-	
	kW	2.42	2.47	2.54	-	2.59	2.64	2.71	-	2.73	2.78	2.86	-	2.86	2.91	3.00	-	2.96	3.02	3.11	-	2.96	3.02	3.11	-	3.06	3.12	3.21	-	
	/anos	9.7	9.8	10.0	-	10.1	10.2	10.4	-	10.6	10.7	10.9	-	11.0	11.1	11.3	-	11.4	11.5	11.8	-	11.4	11.5	11.8	-	11.8	11.9	12.2	-	
Hi PR	181	195	206	-	203	219	231	-	231	249	263	-	264	284	299	-	296	319	337	-	296	319	337	-	328	353	372	-		
Lo PR	94	100	109	-	99	106	116	-	103	110	120	-	109	116	126	-	114	121	132	-	114	121	132	-	118	125	137	-		
MBh	29.5	30.6	33.5	-	28.8	29.9	32.7	-	28.1	29.2	31.9	-	27.4	28.4	31.2	-	26.1	27.0	29.6	-	26.1	27.0	29.6	-	24.2	25.0	27.4	-		
S/T	0.71	0.59	0.41	-	0.74	0.62	0.43	-	0.76	0.63	0.44	-	0.78	0.65	0.45	-	0.81	0.68	0.47	-	0.81	0.68	0.47	-	0.82	0.68	0.47	-		
Δ T	18	16	12	-	19	16	12	-	19	16	12	-	19	16	12	-	18	16	12	-	18	16	12	-	17	15	11	-		
kW	2.37	2.42	2.48	-	2.53	2.58	2.65	-	2.67	2.72	2.80	-	2.79	2.85	2.93	-	2.90	2.96	3.04	-	2.90	2.96	3.04	-	2.99	3.05	3.14	-		
/anos	9.6	9.7	9.8	-	10.0	10.1	10.3	-	10.4	10.5	10.7	-	10.8	10.9	11.1	-	11.2	11.3	11.6	-	11.2	11.3	11.6	-	11.6	11.7	12.0	-		
Hi PR	176	189	200	-	197	212	224	-	224	242	255	-	256	275	291	-	288	309	327	-	288	309	327	-	318	342	361	-		
Lo PR	91	97	106	-	96	103	112	-	100	107	116	-	105	112	122	-	110	117	128	-	110	117	128	-	114	121	133	-		
75	1350	MBh	33.5	34.5	37.3	40.0	32.7	33.7	36.4	39.1	31.9	32.9	35.6	38.2	31.1	32.1	34.7	37.3	29.6	30.5	33.0	35.4	29.6	30.5	33.0	35.4	27.4	28.2	30.5	32.8
		S/T	0.88	0.79	0.60	0.38	0.91	0.81	0.62	0.40	0.93	0.84	0.63	0.41	0.96	0.86	0.65	0.42	1.00	0.90	0.68	0.44	1.00	0.90	0.68	0.44	1.00	0.90	0.68	0.44
		Δ T	20	18	15	10	20	19	15	11	20	19	15	11	20	19	15	11	20	19	15	11	20	19	15	11	19	17	14	10
		kW	2.46	2.50	2.57	2.65	2.62	2.67	2.75	2.83	2.77	2.82	2.91	2.99	2.90	2.96	3.04	3.14	3.01	3.07	3.16	3.26	3.01	3.07	3.16	3.26	3.10	3.17	3.26	3.36
		/anos	9.8	9.9	10.1	10.3	10.2	10.3	10.5	10.7	10.7	10.8	11.0	11.3	11.1	11.2	11.4	11.7	11.5	11.7	11.9	12.2	11.5	11.7	11.9	12.2	11.9	12.1	12.3	12.6
		Hi PR	185	199	210	219	208	223	236	246	236	254	268	280	269	289	306	319	303	326	344	359	303	326	344	359	334	360	380	396
	Lo PR	96	102	112	119	101	108	118	126	105	112	123	130	111	118	129	137	116	124	135	144	116	124	135	144	120	128	139	149	
	MBh	32.5	33.5	36.2	38.9	31.8	32.7	35.4	38.0	31.0	31.9	34.5	37.1	30.2	31.1	33.7	36.2	28.7	29.6	32.0	34.4	28.7	29.6	32.0	34.4	26.6	27.4	29.7	31.8	
	S/T	0.84	0.75	0.57	0.37	0.87	0.78	0.59	0.38	0.89	0.80	0.60	0.39	0.92	0.82	0.62	0.40	0.95	0.85	0.65	0.42	0.95	0.85	0.65	0.42	0.96	0.86	0.65	0.42	
	Δ T	21	19	16	11	21	19	16	11	21	19	16	11	21	20	16	11	21	19	16	11	21	19	16	11	20	18	15	10	
	kW	2.44	2.49	2.56	2.63	2.61	2.66	2.73	2.81	2.75	2.80	2.89	2.97	2.88	2.94	3.02	3.11	2.99	3.05	3.14	3.23	2.99	3.05	3.14	3.23	3.08	3.14	3.24	3.34	
	/anos	9.7	9.9	10.0	10.2	10.1	10.3	10.5	10.7	10.6	10.8	11.0	11.2	11.0	11.2	11.4	11.6	11.4	11.6	11.8	12.1	11.4	11.6	11.8	12.1	11.8	12.0	12.2	12.5	
Hi PR	183	197	208	217	206	221	234	244	234	252	266	277	266	287	303	316	300	322	340	355	300	322	340	355	331	356	376	392		
Lo PR	95	101	110	118	100	107	117	124	104	111	121	129	110	117	127	136	115	122	134	142	115	122	134	142	119	127	138	147		
MBh	30.0	30.9	33.4	35.9	29.3	30.2	32.7	35.1	28.6	29.5	31.9	34.2	27.9	28.7	31.1	33.4	26.5	27.3	29.6	31.7	26.5	27.3	29.6	31.7	24.6	25.3	27.4	29.4		
S/T	0.81	0.72	0.55	0.35	0.84	0.75	0.57	0.36	0.86	0.77	0.58	0.37	0.89	0.79	0.60	0.39	0.92	0.82	0.62	0.40	0.92	0.82	0.62	0.40	0.93	0.83	0.63	0.40		
Δ T	21	20	16	11	21	20	16	11	22	20	16	11	22	20	16	11	21	20	16	11	21	20	16	11	20	18	15	10		
kW	2.39	2.43	2.50	2.57	2.55	2.60	2.67	2.75	2.69	2.74	2.82	2.90	2.81	2.87	2.95	3.04	2.92	2.98	3.07	3.16	2.92	2.98	3.07	3.16	3.01	3.07	3.16	3.26		
/anos	9.6	9.7	9.9	10.1	10.0	10.1	10.3	10.5	10.5	10.6	10.8	11.0	10.8	11.0	11.2	11.4	11.2	11.4	11.6	11.9	11.2	11.4	11.6	11.9	11.6	11.8	12.0	12.3		
Hi PR	178	191	202	211	199	215	227	236	227	244	258	269	258	278	293	306	291	313	330	344	291	313	330	344	321	345	365	380		
Lo PR	92	98	107	114	97	104	113	121	101	108	118	125	106	113	124	132	112	119	130	138	112	119	130	138	115	123	134	143		

IDB: Entering Indoor Dry Bulb Temperature
 High and low pressures are measured at the liquid and suction service valves.
 Shaded area reflects ACCA (TVA) conditions
 kW = Total system power
 Design Subcooling 9 ± 3 °F @ the liquid service valve, ARI 95 test conditions
 Amps = outdoor unit amps (comp.+fan)

COOLING DATA — GSX130361E* / CA*F3636*6D* (CONT.)

IDB	AIRFLOW	OUTDOOR AMBIENT TEMPERATURE												ENTERING INDOOR WET BULB TEMPERATURE													
		65°F				75°F				85°F				95°F				105°F				115°F					
		59	63	67	71	59	63	67	71	59	63	67	71	59	63	67	71	59	63	67	71	59	63	67	71		
80	1350	MBh	34.1	34.8	37.2	39.8	33.3	34.0	36.3	38.8	32.5	33.2	35.5	37.9	31.7	32.4	34.6	37.0	30.1	30.8	32.9	35.1	27.9	28.5	30.5	32.6	
		S/T	0.96	0.90	0.74	0.6	1.00	0.94	0.76	0.57	1.00	0.96	0.78	0.6	1.00	1.00	0.81	0.60	1.00	1.00	0.84	0.6	1.00	1.00	0.84	0.63	
	1200	Δ T	22	21	19	15	23	22	19	15	22	22	19	15	22	22	19	15	21	21	19	15	19	19	18	14	
		kW	2.48	2.52	2.59	2.7	2.64	2.69	2.77	2.85	2.79	2.85	2.93	3.0	2.92	2.98	3.07	3.16	3.03	3.09	3.19	3.3	3.13	3.19	3.29	3.39	
	1050	/anos	9.8	10.0	10.1	10.3	10.2	10.4	10.6	10.8	10.7	10.9	11.1	11.3	11.1	11.3	11.5	11.8	11.5	11.7	12.0	12.2	12.0	12.1	12.4	12.7	
		Hi PR	187	201	212	221.5	210	226	238	249	238	257	271	282.7	272	292	309	322	306	329	347	362.2	338	363	384	400	
	85	1350	Lo PR	97	103	113	120.0	103	109	119	127	107	113	124	131.8	112	119	130	138	117	125	136	145.1	121	129	141	150
			MBh	33.1	33.8	36.1	38.6	32.3	33.0	35.3	37.7	31.5	32.2	34.4	36.8	30.8	31.4	33.6	35.9	29.2	29.9	31.9	34.1	27.1	27.7	29.6	31.6
	85	1200	S/T	0.92	0.86	0.70	0.5	0.95	0.89	0.73	0.54	0.98	0.92	0.75	0.6	1.00	0.95	0.77	0.58	1.00	0.98	0.80	0.6	1.00	0.99	0.81	0.60
			Δ T	23	22	19	16	24	23	20	16	24	23	20	16	24	23	20	16	22	22	20	16	21	21	18	15
85	1050	kW	2.46	2.50	2.57	2.6	2.62	2.67	2.75	2.83	2.77	2.82	2.91	3.0	2.90	2.96	3.05	3.14	3.01	3.07	3.16	3.3	3.10	3.17	3.26	3.36	
		/anos	9.8	9.9	10.1	10.3	10.2	10.3	10.5	10.7	10.7	10.8	11.0	11.3	11.1	11.2	11.5	11.7	11.5	11.7	11.9	12.2	11.9	12.1	12.3	12.6	
85	1350	Hi PR	185	199	210	219.3	208	223	236	246	236	254	268	279.9	269	289	306	319	303	326	344	358.6	334	360	380	396	
		Lo PR	96	102	112	118.8	102	108	118	126	105	112	123	130.5	111	118	129	137	116	124	135	143.6	120	128	140	149	
85	1200	MBh	30.5	31.2	33.3	35.6	29.8	30.5	32.6	34.8	29.1	29.8	31.8	34.0	28.4	29.0	31.0	33.2	27.0	27.6	29.5	31.5	25.0	25.5	27.3	29.2	
		S/T	0.89	0.83	0.68	0.5	0.92	0.86	0.70	0.52	0.94	0.88	0.72	0.5	0.97	0.91	0.74	0.55	1.01	0.95	0.77	0.6	1.02	0.95	0.78	0.58	
85	1050	Δ T	24	23	20	16	24	23	20	16	24	23	20	16	24	23	20	16	24	23	20	16	22	21	19	15	
		kW	2.41	2.45	2.52	2.6	2.57	2.62	2.69	2.77	2.71	2.76	2.84	2.9	2.84	2.89	2.98	3.07	2.94	3.00	3.09	3.2	3.03	3.10	3.19	3.29	
85	1350	/anos	9.7	9.8	9.9	10.1	10.0	10.2	10.4	10.6	10.5	10.6	10.8	11.1	10.9	11.1	11.3	11.5	11.3	11.5	11.7	11.9	11.7	11.9	12.1	12.4	
		Hi PR	179	193	204	212.7	201	217	229	239	229	246	260	271.5	261	281	296	309	293	316	333	347.8	324	349	368	384	
85	1200	Lo PR	93	99	108	115.3	98	105	114	122	102	109	119	126.6	107	114	125	133	113	120	131	139.3	117	124	135	144	
		MBh	34.7	35.3	37.0	39.5	33.9	34.5	36.2	38.6	33.1	33.7	35.3	37.7	32.3	32.9	34.4	36.7	30.6	31.2	32.7	34.9	28.4	28.9	30.3	32.3	
85	1350	S/T	1.00	0.98	0.88	0.71	1.00	1.00	0.91	0.74	1.00	1.00	0.94	0.76	1.00	1.00	0.97	0.78	1.00	1.00	1.00	0.81	1.00	1.00	1.00	0.82	
		Δ T	24	23	22	19	23	24	22	19	23	23	22	19	22	22	23	20	21	21	22	19	19	20	21	18	
85	1200	kW	2.49	2.54	2.61	2.68	2.66	2.71	2.79	2.87	2.81	2.87	2.95	3.04	2.94	3.00	3.09	3.19	3.06	3.12	3.21	3.31	3.15	3.22	3.31	3.42	
		/anos	9.9	10.0	10.2	10.4	10.3	10.4	10.6	10.8	10.8	10.9	11.1	11.4	11.2	11.4	11.6	11.8	11.6	11.8	12.0	12.3	12.0	12.2	12.5	12.7	
85	1350	Hi PR	189	203	214	224	212	228	241	251	241	259	274	285	274	295	312	325	309	332	351	366	341	367	387	404	
		Lo PR	98	104	114	121	104	110	120	128	108	114	125	133	113	120	131	140	118	126	138	147	123	130	142	152	
85	1200	MBh	33.7	34.3	35.9	38.3	32.9	33.5	35.1	37.5	32.1	32.7	34.3	36.6	31.3	31.9	33.4	35.7	29.7	30.3	31.8	33.9	27.6	28.1	29.4	31.4	
		S/T	0.96	0.93	0.84	0.68	1.00	0.96	0.87	0.71	1.00	0.99	0.89	0.72	1.00	1.00	0.92	0.75	1.00	1.00	0.96	0.78	1.00	1.00	0.96	0.78	
85	1350	Δ T	25	24	23	20	25	25	23	20	25	25	23	20	24	24	24	20	23	23	23	20	21	22	22	19	
		kW	2.48	2.52	2.59	2.67	2.64	2.69	2.77	2.85	2.79	2.85	2.93	3.02	2.92	2.98	3.07	3.16	3.03	3.09	3.19	3.28	3.13	3.19	3.29	3.39	
85	1200	/anos	9.8	10.0	10.1	10.3	10.2	10.4	10.6	10.8	10.7	10.9	11.1	11.3	11.1	11.3	11.5	11.8	11.5	11.7	12.0	12.2	12.0	12.1	12.4	12.7	
		Hi PR	187	201	212	221	210	226	238	249	238	257	271	283	272	292	309	322	306	329	347	362	338	363	384	400	
85	1350	Lo PR	97	103	113	120	103	109	119	127	107	113	124	132	112	119	130	138	117	125	136	145	121	129	141	150	
		MBh	31.1	31.7	33.2	35.4	30.3	30.9	32.4	34.6	29.6	30.2	31.6	33.7	28.9	29.5	30.9	32.9	27.5	28.0	29.3	31.3	25.4	25.9	27.2	29.0	
85	1200	S/T	0.93	0.90	0.81	0.66	0.96	0.93	0.84	0.68	0.99	0.95	0.86	0.70	1.00	0.98	0.89	0.72	1.00	1.00	0.92	0.75	1.00	1.00	0.93	0.75	
		Δ T	25	25	24	20	26	25	24	21	26	25	24	21	25	25	24	21	24	25	24	20	22	23	22	19	
85	1350	kW	2.42	2.47	2.54	2.61	2.59	2.64	2.71	2.79	2.73	2.78	2.86	2.95	2.86	2.91	3.00	3.09	2.96	3.02	3.11	3.21	3.06	3.12	3.21	3.31	
		/anos	9.7	9.8	10.0	10.2	10.1	10.2	10.4	10.6	10.6	10.7	10.9	11.1	11.0	11.1	11.3	11.6	11.4	11.5	11.7	12.0	11.8	11.9	12.2	12.5	
85	1200	Hi PR	181	195	206	215	203	219	231	241	231	249	263	274	263	284	299	312	296	319	337	351	327	352	372	388	
		Lo PR	94	100	109	116	99	106	115	123	103	110	120	128	109	115	126	134	114	121	132	141	118	125	137	146	

IDB: Entering Indoor Dry Bulb Temperature
 High and low pressures are measured at the liquid and suction service valves.
 Shaded area reflects AHRI conditions
 kW = Total system power
 Design Subcooling ± 3 °F @ the liquid service valve, ARI 95 test conditions
 Amps = outdoor unit amps (comp.+fan)

COOLING DATA — GSX130421B* / CA*F3642*6B*

IDB	AIRFLOW	OUTDOOR AMBIENT TEMPERATURE												ENTERING INDOOR WET BULB TEMPERATURE											
		65°F				75°F				85°F				95°F				105°F				115°F			
		59	63	67	71	59	63	67	71	59	63	67	71	59	63	67	71	59	63	67	71	59	63	67	71
70	MBh	36.0	37.3	40.9	-	35.2	36.4	39.9	-	34.3	35.6	39.0	-	33.5	34.7	38.0	-	31.8	33.0	36.1	-	29.5	30.5	33.5	-
	S/T	0.69	0.57	0.40	-	0.71	0.59	0.41	-	0.73	0.61	0.42	-	0.75	0.63	0.44	-	0.78	0.65	0.45	-	0.79	0.66	0.46	-
	Δ T	19	16	12	-	19	16	12	-	19	16	12	-	19	16	12	-	19	16	12	-	17	15	11	-
	kW	2.78	2.84	2.92	-	2.98	3.04	3.13	-	3.15	3.21	3.31	-	3.30	3.37	3.47	-	3.43	3.50	3.61	-	3.54	3.61	3.73	-
	Amps	10.7	10.9	11.2	-	11.5	11.8	12.1	-	12.5	12.7	13.2	-	13.3	13.6	14.0	-	14.1	14.5	14.9	-	14.9	15.3	15.8	-
	Hi PR	209	225	238	-	235	253	267	-	267	288	304	-	304	328	346	-	343	369	389	-	378	407	430	-
	Lo PR	101	107	117	-	106	113	124	-	111	118	129	-	116	124	135	-	122	130	141	-	126	134	146	-
	MBh	39.0	40.4	44.3	-	38.1	39.5	43.3	-	37.2	38.5	42.2	-	36.3	37.6	41.2	-	34.5	35.7	39.1	-	31.9	33.1	36.3	-
	S/T	0.71	0.59	0.41	-	0.74	0.62	0.43	-	0.76	0.63	0.44	-	0.78	0.65	0.45	-	0.81	0.68	0.47	-	0.82	0.68	0.47	-
	Δ T	18	16	12	-	18	16	12	-	18	16	12	-	19	16	12	-	18	16	12	-	17	15	11	-
	kW	2.84	2.90	2.98	-	3.05	3.11	3.20	-	3.22	3.29	3.39	-	3.38	3.45	3.55	-	3.51	3.58	3.70	-	3.63	3.70	3.82	-
	Amps	10.9	11.2	11.6	-	11.8	12.1	12.5	-	12.8	13.1	13.5	-	13.7	14.0	14.4	-	14.5	14.9	15.3	-	15.4	15.7	16.2	-
Hi PR	216	232	245	-	242	261	275	-	276	297	313	-	314	338	357	-	353	380	401	-	390	420	443	-	
Lo PR	104	111	121	-	110	117	127	-	114	121	132	-	120	127	139	-	126	134	146	-	130	138	151	-	
MBh	40.2	41.6	45.6	-	39.2	40.7	44.6	-	38.3	39.7	43.5	-	37.4	38.7	42.4	-	35.5	36.8	40.3	-	32.9	34.1	37.3	-	
S/T	0.75	0.62	0.43	-	0.77	0.65	0.45	-	0.79	0.66	0.46	-	0.82	0.68	0.47	-	0.85	0.71	0.49	-	0.86	0.72	0.50	-	
Δ T	18	15	11	-	18	15	12	-	18	15	12	-	18	15	12	-	18	15	12	-	16	14	11	-	
kW	2.87	2.92	3.01	-	3.07	3.13	3.22	-	3.25	3.31	3.41	-	3.41	3.48	3.58	-	3.54	3.61	3.73	-	3.66	3.73	3.85	-	
Amps	11.0	11.3	11.7	-	11.9	12.2	12.6	-	12.9	13.2	13.6	-	13.8	14.1	14.6	-	14.6	15.0	15.5	-	15.5	15.9	16.4	-	
Hi PR	218	235	248	-	245	263	278	-	278	300	316	-	317	341	360	-	357	384	405	-	394	424	448	-	
Lo PR	105	112	122	-	111	118	129	-	115	123	134	-	121	129	141	-	127	135	147	-	131	140	152	-	

75	MBh	36.6	37.7	40.8	43.8	35.8	36.8	39.9	42.8	34.9	35.9	38.9	41.8	34.1	35.1	38.0	40.7	32.4	33.3	36.1	38.7	30.0	30.9	33.4	35.8
	S/T	0.78	0.70	0.53	0.34	0.81	0.72	0.55	0.35	0.83	0.74	0.56	0.36	0.86	0.77	0.58	0.37	0.89	0.79	0.60	0.39	0.90	0.80	0.61	0.39
	Δ T	21	20	16	11	22	20	16	11	22	20	16	11	22	20	17	11	22	20	16	11	20	19	15	10
	kW	2.80	2.86	2.94	3.03	3.00	3.06	3.15	3.24	3.17	3.24	3.33	3.44	3.33	3.39	3.50	3.61	3.46	3.53	3.64	3.75	3.57	3.64	3.76	3.88
	Amps	10.8	11.0	11.3	11.8	11.6	11.9	12.2	12.7	12.6	12.9	13.3	13.8	13.4	13.7	14.2	14.7	14.2	14.6	15.1	15.6	15.1	15.4	15.9	16.5
	Hi PR	212	228	240	251	237	256	270	281	270	291	307	320	308	331	350	365	346	372	393	410	382	411	434	453
	Lo PR	102	108	118	126	108	114	125	133	112	119	130	138	117	125	136	145	123	131	143	152	127	135	148	157
	MBh	39.7	40.8	44.2	47.4	38.7	39.9	43.2	46.3	37.8	38.9	42.2	45.2	36.9	38.0	41.1	44.1	35.1	36.1	39.1	41.9	32.5	33.4	36.2	38.8
	S/T	0.81	0.72	0.55	0.35	0.84	0.75	0.57	0.37	0.86	0.77	0.58	0.37	0.89	0.79	0.60	0.39	0.92	0.82	0.62	0.40	0.93	0.83	0.63	0.40
	Δ T	21	19	16	11	21	20	16	11	21	20	16	11	22	20	16	11	21	20	16	11	20	18	15	10
	kW	2.87	2.92	3.01	3.10	3.07	3.13	3.22	3.32	3.25	3.31	3.41	3.52	3.41	3.48	3.58	3.70	3.54	3.61	3.73	3.84	3.66	3.73	3.85	3.97
	Amps	11.0	11.3	11.7	12.1	11.9	12.2	12.6	13.0	12.9	13.2	13.6	14.1	13.8	14.1	14.6	15.1	14.6	15.0	15.5	16.1	15.5	15.9	16.4	17.0
Hi PR	218	235	248	259	245	263	278	290	278	300	316	330	317	341	360	376	357	384	405	423	394	424	448	467	
Lo PR	105	112	122	130	111	118	129	137	115	123	134	143	121	129	141	150	127	135	147	157	131	140	152	162	
MBh	40.9	42.1	45.5	48.9	39.9	41.1	44.5	47.7	39.0	40.1	43.4	46.6	38.0	39.1	42.4	45.5	36.1	37.2	40.2	43.2	33.4	34.4	37.3	40.0	
S/T	0.85	0.76	0.57	0.37	0.88	0.79	0.60	0.38	0.90	0.81	0.61	0.39	0.93	0.83	0.63	0.41	0.97	0.86	0.65	0.42	0.97	0.87	0.66	0.42	
Δ T	20	19	15	11	20	19	15	11	21	19	15	11	21	19	16	11	20	19	15	11	19	18	14	10	
kW	2.89	2.94	3.03	3.12	3.09	3.15	3.25	3.35	3.27	3.34	3.44	3.55	3.43	3.50	3.61	3.72	3.57	3.64	3.76	3.87	3.68	3.76	3.88	4.00	
Amps	11.1	11.4	11.8	12.2	12.0	12.3	12.7	13.2	13.0	13.3	13.8	14.3	13.9	14.2	14.7	15.2	14.8	15.1	15.6	16.2	15.6	16.0	16.5	17.2	
Hi PR	220	237	250	261	247	266	281	293	281	303	320	333	320	345	364	380	360	388	409	427	398	428	452	472	
Lo PR	106	113	123	131	112	119	130	139	116	124	135	144	122	130	142	151	128	136	149	158	133	141	154	164	

IDB: Entering Indoor Dry Bulb Temperature
 High and low pressures are measured at the liquid and suction service valves.
 Shaded area reflects ACCA (TVA) conditions
 Amps = outdoor unit amps (comp.+fan)
 kW = Total system power

COOLING DATA — GSX130421B* / CA*F3642*6B* (CONT.)

IDB	AIRFLOW	OUTDOOR AMBIENT TEMPERATURE																																			
		65°F						75°F						85°F						95°F						105°F						115°F					
		59	63	67	71	75	79	59	63	67	71	75	79	59	63	67	71	75	79	59	63	67	71	75	79	59	63	67	71	75	79	59	63	67	71	75	79
80	MBh	37.3	38.1	40.7	43.5	46.0	48.5	41.5	43.1	44.1	47.1	49.4	40.3	43.1	43.1	46.0	48.5	39.3	42.0	44.9	37.6	38.4	41.0	43.8	40.5	34.7	35.4	37.8	40.5	32.9	33.6	36.0	38.4	30.5	31.2	33.3	35.6
	S/T	0.86	0.80	0.65	0.49	0.51	0.52	0.91	0.85	0.69	0.52	0.94	0.88	0.72	0.54	0.97	0.91	0.74	0.56	1.00	0.95	0.77	0.58	0.54	0.94	0.88	0.72	0.54	0.97	0.91	0.74	0.56	0.98	0.92	0.75	0.56	
	Δ T	24	23	20	16	24	23	20	16	24	23	20	16	24	23	20	16	24	23	20	16	24	23	20	16	24	23	20	16	24	23	20	16	22	22	19	15
	kW	2.82	2.88	2.96	3.05	3.12	3.19	3.27	3.36	3.44	3.55	3.63	3.72	3.81	3.90	4.00	4.10	4.20	4.30	4.40	4.50	4.60	4.70	4.80	4.90	5.00	5.10	5.20	5.30	5.40	5.50	5.60	5.70	5.80	5.90	6.00	
	Amps	10.8	11.1	11.4	11.9	12.2	12.5	12.8	13.0	13.3	13.6	13.9	14.2	14.4	14.7	15.0	15.3	15.6	15.9	16.2	16.5	16.8	17.1	17.4	17.7	18.0	18.3	18.6	18.9	19.2	19.5	19.8	20.1	20.4	20.7	21.0	
	Hi PR	214	230	243	253	261	266	273	284	294	310	323	311	334	353	368	350	376	397	414	386	416	439	458	386	416	439	458	386	416	439	458	386	416	439	458	
	Lo PR	103	109	119	127	134	140	147	154	161	168	175	182	189	196	203	210	217	224	231	238	245	252	259	266	273	280	287	294	301	308	315	322	329	336	343	
	MBh	40.4	41.3	44.1	47.1	49.4	51.7	54.0	43.1	46.0	48.5	51.7	54.0	43.1	46.0	48.5	51.7	54.0	43.1	46.0	48.5	51.7	54.0	56.3	58.6	60.9	63.2	65.5	67.8	70.1	72.4	74.7	77.0	79.3	81.6		
	S/T	0.89	0.83	0.68	0.51	0.52	0.53	0.94	0.86	0.70	0.52	0.94	0.88	0.72	0.54	0.97	0.91	0.74	0.56	1.00	0.95	0.77	0.58	0.54	0.94	0.88	0.72	0.54	0.97	0.91	0.74	0.56	1.00	0.95	0.77	0.58	
	Δ T	24	23	20	16	24	23	20	16	24	23	20	16	24	23	20	16	24	23	20	16	24	23	20	16	24	23	20	16	24	23	20	16	22	21	18	15
	kW	2.89	2.94	3.03	3.12	3.19	3.27	3.36	3.44	3.55	3.63	3.72	3.81	3.90	4.00	4.10	4.20	4.30	4.40	4.50	4.60	4.70	4.80	4.90	5.00	5.10	5.20	5.30	5.40	5.50	5.60	5.70	5.80	5.90	6.00		
	Amps	11.1	11.4	11.8	12.2	12.5	12.8	13.0	13.3	13.6	13.9	14.2	14.4	14.7	15.0	15.3	15.6	15.9	16.2	16.5	16.8	17.1	17.4	17.7	18.0	18.3	18.6	18.9	19.2	19.5	19.8	20.1	20.4	20.7	21.0		
Hi PR	220	237	250	261	266	273	284	294	310	323	311	334	353	368	350	376	397	414	386	416	439	458	386	416	439	458	386	416	439	458	386	416	439	458			
Lo PR	106	113	123	131	134	140	147	154	161	168	175	182	189	196	203	210	217	224	231	238	245	252	259	266	273	280	287	294	301	308	315	322	329	336	343		
MBh	41.6	42.5	45.4	48.5	51.7	54.0	56.3	43.1	46.0	48.5	51.7	54.0	43.1	46.0	48.5	51.7	54.0	43.1	46.0	48.5	51.7	54.0	56.3	58.6	60.9	63.2	65.5	67.8	70.1	72.4	74.7	77.0	79.3	81.6			
S/T	0.93	0.87	0.71	0.53	0.53	0.54	0.96	0.90	0.74	0.55	0.96	0.93	0.75	0.56	1.00	0.96	0.78	0.58	1.00	1.00	0.81	0.60	0.58	0.96	0.93	0.75	0.56	1.00	1.00	0.81	0.60	1.00	1.00	0.82	0.61		
Δ T	23	22	19	15	23	22	19	15	23	22	19	15	23	22	19	15	23	22	19	15	23	22	19	15	23	22	19	15	23	22	19	15	20	20	18	14	
kW	2.91	2.96	3.05	3.14	3.21	3.27	3.37	3.46	3.55	3.63	3.72	3.81	3.90	4.00	4.10	4.20	4.30	4.40	4.50	4.60	4.70	4.80	4.90	5.00	5.10	5.20	5.30	5.40	5.50	5.60	5.70	5.80	5.90	6.00			
Amps	11.2	11.5	11.9	12.3	12.6	12.9	13.3	13.6	13.9	14.2	14.4	14.7	15.0	15.3	15.6	15.9	16.2	16.5	16.8	17.1	17.4	17.7	18.0	18.3	18.6	18.9	19.2	19.5	19.8	20.1	20.4	20.7	21.0				
Hi PR	223	240	253	264	269	276	284	296	310	323	311	334	353	368	350	376	397	414	386	416	439	458	386	416	439	458	386	416	439	458	386	416	439	458			
Lo PR	107	114	124	132	134	140	147	154	161	168	175	182	189	196	203	210	217	224	231	238	245	252	259	266	273	280	287	294	301	308	315	322	329	336	343		

85	MBh	37.9	38.6	40.5	43.2	45.7	48.2	41.2	42.8	44.1	47.1	49.4	40.3	43.1	43.1	46.0	48.5	39.2	41.8	44.6	38.2	39.0	40.8	43.5	40.2	35.3	36.0	37.7	40.2	33.5	34.2	35.8	38.2	31.0	31.6	33.1	35.4
	S/T	0.90	0.87	0.78	0.63	0.66	0.68	0.95	0.92	0.83	0.67	0.98	0.95	0.86	0.70	1.00	0.98	0.89	0.72	1.00	1.00	0.92	0.75	0.72	0.98	0.95	0.86	0.70	1.00	1.00	0.92	0.75	1.00	1.00	0.93	0.75	
	Δ T	26	25	24	21	26	25	24	21	26	25	24	21	26	25	24	21	26	25	24	21	26	25	24	21	26	25	24	21	26	25	24	21	23	24	22	19
	kW	2.84	2.90	2.98	3.07	3.14	3.21	3.27	3.36	3.44	3.53	3.61	3.70	3.78	3.87	3.96	4.04	4.13	4.22	4.31	4.40	4.49	4.58	4.67	4.76	4.85	4.94	5.03	5.12	5.21	5.30	5.39	5.48	5.57	5.66	5.75	
	Amps	10.9	11.2	11.6	12.0	12.3	12.6	12.9	13.1	13.5	13.9	14.4	14.7	15.0	15.3	15.6	15.9	16.2	16.5	16.8	17.1	17.4	17.7	18.0	18.3	18.6	18.9	19.2	19.5	19.8	20.1	20.4	20.7	21.0			
	Hi PR	216	232	245	256	262	269	276	287	297	313	327	314	338	357	372	353	380	401	418	390	420	443	462	390	420	443	462	390	420	443	462	390	420	443	462	
	Lo PR	104	110	121	128	132	136	141	147	154	161	168	175	182	189	196	203	210	217	224	231	238	245	252	259	266	273	280	287	294	301	308	315	322	329	336	
	MBh	41.1	41.9	43.9	46.8	49.7	52.6	55.5	42.8	45.7	48.6	51.5	54.4	43.1	46.0	48.9	51.8	54.7	43.1	46.0	48.9	51.8	54.7	57.6	60.5	63.4	66.3	69.2	72.1	75.0	77.9	80.8	83.7	86.6	89.5		
	S/T	0.93	0.90	0.81	0.66	0.68	0.69	0.96	0.93	0.84	0.68	0.99	0.95	0.86	0.70	1.00	0.98	0.89	0.72	1.00	1.00	0.92	0.75	0.72	0.98	0.95	0.86	0.70	1.00	1.00	0.92	0.75	1.00	1.00	0.93	0.75	
	Δ T	25	25	23	20	26	25	24	20	26	25	24	20	26	25	24	20	26	25	24	20	26	25	24	20	26	25	24	20	26	25	24	20	22	23	22	19
	kW	2.91	2.96	3.05	3.14	3.21	3.27	3.37	3.46	3.55	3.63	3.72	3.81	3.90	4.00	4.10	4.20	4.30	4.40	4.50	4.60	4.70	4.80	4.90	5.00	5.10	5.20	5.30	5.40	5.50	5.60	5.70	5.80	5.90	6.00		
	Amps	11.2	11.5	11.9	12.3	12.6	12.9	13.3	13.6	13.9	14.2	14.4	14.7	15.0	15.3	15.6	15.9	16.2	16.5	16.8	17.1	17.4	17.7	18.0	18.3	18.6	18.9	19.2	19.5	19.8	20.1	20.4	20.7	21.0			
Hi PR	223	240	253	264	269	276	284	296	310	323	311	334	353	368	350	376	397	414	386	416	439	458	386	416	439	458	386	416	439	458	386	416	439	458			
Lo PR	107	114	124	132	134	140	147	154	161	168	175	182	189	196	203	210	217	224	231	238	245	252	259	266	273	280	287	294	301	308	315	322	329	336	343		

IDB: Entering Indoor Dry Bulb Temperature
 High and low pressures are measured at the liquid and suction service valves.
 Shaded area reflects AHRI conditions
 Amps = outdoor unit amps (comp.+fan)
 kW = Total system power

COOLING DATA — GSX130481B* / CA*F4860*6B*

IDB	AIRFLOW	OUTDOOR AMBIENT TEMPERATURE												ENTERING INDOOR WET BULB TEMPERATURE											
		65°F				75°F				85°F				95°F				105°F				115°F			
		59	63	67	71	59	63	67	71	59	63	67	71	59	63	67	71	59	63	67	71	59	63	67	71
70	MBh	40.4	41.9	45.9	-	39.5	40.9	44.8	-	38.5	39.9	43.7	-	37.6	38.9	42.7	-	35.7	37.0	40.5	-	33.1	34.3	37.5	-
	S/T	0.71	0.59	0.41	-	0.73	0.61	0.42	-	0.75	0.63	0.44	-	0.78	0.65	0.45	-	0.81	0.67	0.47	-	0.81	0.68	0.47	-
	Δ T	19	16	12	-	19	16	12	-	19	16	13	-	19	17	13	-	19	16	12	-	18	15	12	-
	kW	3.17	3.23	3.32	-	3.39	3.46	3.56	-	3.59	3.66	3.77	-	3.77	3.84	3.96	-	3.91	4.00	4.12	-	4.04	4.13	4.26	-
	Amps	11.6	11.9	12.3	-	12.6	12.9	13.3	-	13.7	14.0	14.5	-	14.6	15.0	15.5	-	15.5	15.9	16.5	-	16.5	16.9	17.4	-
	Hi PR	215	231	244	-	241	259	274	-	274	295	311	-	312	336	354	-	351	377	399	-	388	417	440	-
	Lo PR	104	111	121	-	110	117	128	-	115	122	133	-	120	128	140	-	126	134	146	-	130	139	151	-
	MBh	43.8	45.4	49.7	-	42.7	44.3	48.5	-	41.7	43.2	47.4	-	40.7	42.2	46.2	-	38.7	40.1	43.9	-	35.8	37.1	40.7	-
	S/T	0.73	0.61	0.43	-	0.76	0.64	0.44	-	0.78	0.65	0.45	-	0.81	0.67	0.47	-	0.84	0.70	0.48	-	0.84	0.70	0.49	-
	Δ T	18	16	12	-	19	16	12	-	19	16	12	-	19	16	12	-	19	16	12	-	17	15	11	-
	kW	3.24	3.30	3.40	-	3.47	3.54	3.65	-	3.67	3.75	3.87	-	3.86	3.94	4.06	-	4.01	4.09	4.22	-	4.14	4.23	4.36	-
	Amps	12.0	12.3	12.7	-	12.9	13.2	13.7	-	14.1	14.4	14.9	-	15.0	15.4	15.9	-	16.0	16.4	16.9	-	16.9	17.4	17.9	-
Hi PR	221	238	251	-	248	267	282	-	282	304	321	-	321	346	365	-	362	389	411	-	400	430	454	-	
Lo PR	108	114	125	-	114	121	132	-	118	126	137	-	124	132	144	-	130	138	151	-	134	143	156	-	
MBh	45.1	46.7	51.2	-	44.0	45.6	50.0	-	43.0	44.5	48.8	-	41.9	43.5	47.6	-	39.8	41.3	45.2	-	36.9	38.2	41.9	-	
S/T	0.77	0.64	0.45	-	0.80	0.67	0.46	-	0.82	0.68	0.47	-	0.85	0.71	0.49	-	0.88	0.73	0.51	-	0.88	0.74	0.51	-	
Δ T	18	15	12	-	18	16	12	-	18	16	12	-	18	16	12	-	18	15	12	-	17	14	11	-	
kW	3.26	3.33	3.42	-	3.50	3.57	3.67	-	3.70	3.78	3.90	-	3.89	3.97	4.09	-	4.04	4.13	4.26	-	4.18	4.26	4.40	-	
Amps	12.1	12.4	12.8	-	13.0	13.4	13.8	-	14.2	14.5	15.0	-	15.2	15.5	16.0	-	16.1	16.5	17.1	-	17.1	17.5	18.1	-	
Hi PR	223	240	254	-	251	270	285	-	285	307	324	-	325	349	369	-	365	393	415	-	404	434	459	-	
Lo PR	109	116	126	-	115	122	133	-	119	127	139	-	125	133	146	-	131	140	152	-	136	144	158	-	
75	MBh	41.1	42.3	45.8	49.1	40.1	41.3	44.7	48.0	39.2	40.3	43.7	46.8	38.2	39.3	42.6	45.7	36.3	37.4	40.5	43.4	33.6	34.6	37.5	40.2
	S/T	0.81	0.72	0.55	0.35	0.83	0.75	0.56	0.36	0.86	0.77	0.58	0.37	0.88	0.79	0.60	0.38	0.92	0.82	0.62	0.40	0.92	0.83	0.63	0.40
	Δ T	22	20	16	11	22	20	17	11	22	20	17	11	22	20	16	11	22	20	16	11	20	19	15	11
	kW	3.19	3.25	3.35	3.45	3.42	3.49	3.59	3.70	3.62	3.69	3.80	3.92	3.79	3.87	3.99	4.12	3.95	4.03	4.15	4.29	4.08	4.16	4.29	4.43
	Amps	11.7	12.0	12.4	12.9	12.7	13.0	13.4	13.9	13.8	14.1	14.6	15.1	14.7	15.1	15.6	16.2	15.7	16.1	16.6	17.2	16.6	17.0	17.6	18.3
	Hi PR	217	233	246	257	243	262	276	288	277	298	314	328	315	339	358	373	354	381	403	420	391	421	445	464
	Lo PR	105	112	122	130	111	118	129	138	116	123	134	143	122	129	141	150	127	136	148	158	132	140	153	163
	MBh	44.5	45.8	49.6	53.2	43.5	44.8	48.4	52.0	42.4	43.7	47.3	50.8	41.4	42.6	46.1	49.5	39.3	40.5	43.8	47.0	36.4	37.5	40.6	43.6
	S/T	0.84	0.75	0.57	0.36	0.87	0.77	0.59	0.38	0.89	0.79	0.60	0.39	0.92	0.82	0.62	0.40	0.95	0.85	0.64	0.41	0.96	0.86	0.65	0.42
	Δ T	21	20	16	11	22	20	16	11	22	20	16	11	22	20	16	11	21	20	16	11	20	18	15	10
	kW	3.26	3.33	3.42	3.53	3.50	3.57	3.68	3.79	3.70	3.78	3.90	4.02	3.89	3.97	4.09	4.22	4.04	4.13	4.26	4.39	4.18	4.26	4.40	4.54
	Amps	12.1	12.4	12.8	13.2	13.1	13.4	13.8	14.3	14.2	14.5	15.0	15.6	15.2	15.6	16.1	16.7	16.1	16.5	17.1	17.7	17.1	17.5	18.1	18.8
Hi PR	223	240	254	265	251	270	285	297	285	307	324	338	325	349	369	385	365	393	415	433	404	434	459	478	
Lo PR	109	116	126	134	115	122	133	142	119	127	139	148	125	133	146	155	131	140	153	162	136	145	158	168	
MBh	45.8	47.2	51.1	54.8	44.8	46.1	49.9	53.6	43.7	45.0	48.7	52.3	42.6	43.9	47.5	51.0	40.5	41.7	45.1	48.5	37.5	38.6	41.8	44.9	
S/T	0.88	0.78	0.59	0.38	0.91	0.81	0.61	0.40	0.93	0.83	0.63	0.41	0.96	0.86	0.65	0.42	1.00	0.89	0.67	0.43	1.00	0.90	0.68	0.44	
Δ T	21	19	15	11	21	19	16	11	21	19	16	11	21	19	16	11	21	19	16	11	19	18	15	10	
kW	3.29	3.35	3.45	3.55	3.52	3.59	3.70	3.82	3.73	3.81	3.93	4.05	3.92	4.00	4.12	4.26	4.07	4.16	4.29	4.43	4.21	4.30	4.44	4.58	
Amps	12.2	12.5	12.9	13.4	13.2	13.5	13.9	14.5	14.3	14.7	15.1	15.7	15.3	15.7	16.2	16.8	16.3	16.7	17.2	17.9	17.3	17.7	18.3	19.0	
Hi PR	226	243	256	267	253	272	288	300	288	310	327	341	328	353	373	389	369	397	419	437	408	439	463	483	
Lo PR	110	117	127	136	116	123	135	143	120	128	140	149	127	135	147	157	133	141	154	164	137	146	159	170	

IDB: Entering Indoor Dry Bulb Temperature
 High and low pressures are measured at the liquid and suction service valves.
 Shaded area reflects ACCA (TVA) conditions
 Amps = outdoor unit amps (comp.+fan)
 kW = Total system power

COOLING DATA — GSX130481B* / CA*F4860*6B* (CONT.)

IDB	AIRFLOW	OUTDOOR AMBIENT TEMPERATURE												ENTERING INDOOR WET BULB TEMPERATURE											
		65°F				75°F				85°F				95°F				105°F				115°F			
		59	63	67	71	59	63	67	71	59	63	67	71	59	63	67	71	59	63	67	71	59	63	67	71
80	MBh	41.8	42.7	45.6	48.8	40.8	41.7	44.6	47.7	39.9	40.7	43.5	46.5	38.9	39.7	42.5	45.4	36.9	37.8	40.3	43.1	34.2	35.0	37.4	39.9
	S/T	0.88	0.83	0.67	0.50	0.92	0.86	0.70	0.52	0.94	0.88	0.72	0.54	0.97	0.91	0.74	0.55	1.01	0.94	0.77	0.57	1.01	0.95	0.77	0.58
	Δ T	24	23	20	16	25	24	20	16	25	24	20	16	25	24	21	16	24	23	20	16	23	22	19	15
	kW	3.21	3.28	3.37	3.47	3.44	3.51	3.62	3.73	3.65	3.72	3.83	3.95	3.82	3.90	4.03	4.15	3.98	4.06	4.19	4.32	4.11	4.20	4.33	4.47
	Amps	11.9	12.1	12.5	13.0	12.8	13.1	13.6	14.1	13.9	14.3	14.7	15.3	14.9	15.2	15.8	16.3	15.8	16.2	16.8	17.4	16.8	17.2	17.8	18.5
	Hi PR	219	236	249	259	246	264	279	291	279	301	317	331	318	342	362	377	358	385	407	424	395	426	449	469
	Lo PR	106	113	124	132	112	120	131	139	117	124	136	145	123	131	143	152	129	137	149	159	133	142	155	165
	MBh	45.3	46.3	49.5	52.9	44.2	45.2	48.3	51.6	43.2	44.1	47.2	50.4	42.1	43.1	46.0	49.2	40.0	40.9	43.7	46.7	37.1	37.9	40.5	43.3
	S/T	0.92	0.86	0.70	0.52	0.95	0.89	0.72	0.54	0.97	0.91	0.74	0.56	1.00	0.94	0.77	0.57	1.00	0.98	0.80	0.60	1.00	0.99	0.80	0.60
	Δ T	24	23	20	16	24	23	20	16	24	23	20	16	24	23	20	16	23	23	20	16	21	21	19	15
kW	3.29	3.35	3.45	3.56	3.52	3.59	3.70	3.82	3.73	3.81	3.93	4.05	3.92	4.00	4.12	4.26	4.07	4.16	4.29	4.43	4.21	4.30	4.44	4.58	
Amps	12.2	12.5	12.9	13.4	13.2	13.5	13.9	14.5	14.3	14.7	15.2	15.7	15.3	15.7	16.2	16.8	16.3	16.7	17.3	17.9	17.3	17.7	18.3	19.0	
Hi PR	226	243	256	267	253	272	288	300	288	310	327	341	328	353	373	389	369	397	419	437	408	439	463	483	
Lo PR	110	117	127	136	116	123	135	143	120	128	140	149	127	135	147	157	133	141	154	164	137	146	159	170	
MBh	46.7	47.7	50.9	54.4	45.6	46.6	49.7	53.2	44.5	45.5	48.6	51.9	43.4	44.3	47.4	50.6	41.2	42.1	45.0	48.1	38.2	39.0	41.7	44.6	
S/T	0.96	0.90	0.73	0.55	1.00	0.93	0.76	0.57	1.00	0.96	0.78	0.58	1.00	1.00	0.80	0.60	1.00	1.00	0.83	0.62	1.00	1.00	0.84	0.63	
Δ T	23	22	19	15	23	22	19	15	23	22	19	15	22	23	19	16	21	22	19	15	20	20	18	14	
kW	3.31	3.38	3.48	3.58	3.55	3.62	3.73	3.85	3.76	3.84	3.96	4.08	3.95	4.03	4.16	4.29	4.11	4.19	4.33	4.47	4.24	4.33	4.47	4.62	
Amps	12.3	12.6	13.0	13.5	13.3	13.6	14.1	14.6	14.4	14.8	15.3	15.9	15.4	15.8	16.4	17.0	16.4	16.8	17.4	18.1	17.4	17.9	18.5	19.2	
Hi PR	228	245	259	270	256	275	291	303	291	313	331	345	331	356	376	393	373	401	423	442	412	443	468	488	
Lo PR	111	118	129	137	117	125	136	145	122	129	141	151	128	136	148	158	134	143	156	166	139	147	161	171	

1400	MBh	42.5	43.4	45.4	48.5	41.5	42.4	44.4	47.3	40.6	41.3	43.3	46.2	39.6	40.3	42.2	45.1	37.6	38.3	40.1	42.8	34.8	35.5	37.2	39.7
	S/T	0.93	0.89	0.81	0.65	0.96	0.93	0.84	0.68	0.98	0.95	0.86	0.70	1.00	0.98	0.88	0.72	1.00	1.00	0.92	0.74	1.00	1.00	0.93	0.75
	Δ T	26	25	24	21	26	26	24	21	26	26	24	21	26	26	25	21	25	25	24	21	23	23	23	20
	kW	3.24	3.30	3.40	3.50	3.47	3.54	3.65	3.76	3.67	3.75	3.86	3.99	3.85	3.94	4.06	4.19	4.01	4.09	4.22	4.36	4.14	4.23	4.36	4.50
	Amps	12.0	12.2	12.6	13.1	12.9	13.2	13.7	14.2	14.0	14.4	14.9	15.4	15.0	15.4	15.9	16.5	16.0	16.4	16.9	17.6	16.9	17.4	17.9	18.6
	Hi PR	221	238	251	262	248	267	282	294	282	304	321	334	321	346	365	381	361	389	411	428	399	430	454	473
	Lo PR	108	114	125	133	114	121	132	140	118	126	137	146	124	132	144	153	130	138	151	161	134	143	156	166
	MBh	46.1	47.0	49.2	52.5	45.0	45.9	48.1	51.3	43.9	44.8	46.9	50.1	42.9	43.7	45.8	48.8	40.7	41.5	43.5	46.4	37.7	38.5	40.3	43.0
	S/T	0.96	0.93	0.84	0.68	1.00	0.96	0.87	0.70	1.00	0.98	0.89	0.72	1.00	1.00	0.92	0.74	1.00	1.00	0.95	0.77	1.00	1.00	0.96	0.78
	Δ T	25	25	24	20	26	25	24	21	25	25	24	21	25	25	24	21	23	24	24	21	22	22	22	19
kW	3.31	3.38	3.48	3.58	3.55	3.62	3.73	3.85	3.76	3.84	3.96	4.08	3.95	4.03	4.16	4.29	4.11	4.19	4.33	4.47	4.24	4.33	4.47	4.62	
Amps	12.3	12.6	13.0	13.5	13.3	13.6	14.1	14.6	14.4	14.8	15.3	15.9	15.4	15.8	16.4	17.0	16.4	16.8	17.4	18.1	17.4	17.9	18.5	19.2	
Hi PR	228	245	259	270	256	275	291	303	291	313	331	345	331	356	376	393	373	401	423	442	412	443	468	488	
Lo PR	111	118	129	137	117	125	136	145	122	129	141	151	128	136	148	158	134	143	156	166	139	147	161	171	
MBh	47.5	48.4	50.7	54.1	46.4	47.3	49.5	52.8	45.3	46.1	48.3	51.6	44.2	45.0	47.1	50.3	42.0	42.8	44.8	47.8	38.9	39.6	41.5	44.3	
S/T	1.00	0.97	0.88	0.71	1.00	1.00	0.91	0.74	1.00	1.00	0.93	0.76	1.00	1.00	0.96	0.78	1.00	1.00	0.95	0.77	1.00	1.00	0.96	0.82	
Δ T	24	24	23	20	24	24	23	20	23	24	23	20	23	23	23	20	21	22	23	20	20	20	20	18	
kW	3.34	3.40	3.50	3.61	3.58	3.65	3.76	3.88	3.79	3.87	3.99	4.11	3.98	4.06	4.19	4.32	4.14	4.23	4.36	4.50	4.28	4.37	4.51	4.65	
Amps	12.4	12.7	13.1	13.6	13.4	13.7	14.2	14.7	14.6	14.9	15.4	16.0	15.6	16.0	16.5	17.1	16.6	17.0	17.6	18.2	17.6	18.0	18.6	19.3	
Hi PR	230	248	262	273	258	278	294	306	294	316	334	348	335	360	380	397	376	405	428	446	416	448	473	493	
Lo PR	112	119	130	138	118	126	137	146	123	131	143	152	129	137	150	160	135	144	157	167	140	149	163	173	

IDB: Entering Indoor Dry Bulb Temperature
 High and low pressures are measured at the liquid and suction service valves.
 Shaded area reflects AHRI conditions
 Amps = outdoor unit amps (comp.+fan)
 kW = Total system power

COOLING DATA — GSX130601B* / CA*F4961*6A*

IDB	AIRFLOW	OUTDOOR AMBIENT TEMPERATURE												115°F																	
		65°F						75°F						85°F						95°F						105°F					
		59	63	67	71	75	79	59	63	67	71	75	79	59	63	67	71	75	79	59	63	67	71	75	79	59	63	67	71	75	79
70	1500	MBh	50.1	51.9	56.8	-	48.9	50.7	55.5	-	47.7	49.5	54.2	-	46.6	48.3	52.9	-	44.2	45.8	50.2	-	41.0	42.5	46.5	-					
		S/T	0.67	0.56	0.39	-	0.69	0.58	0.40	-	0.71	0.59	0.41	-	0.73	0.61	0.42	-	0.76	0.64	0.44	-	0.77	0.64	0.44	-					
		ΔT	21	18	13	-	21	18	14	-	21	18	14	-	21	18	14	-	21	18	14	-	19	17	13	-					
	1750	kW	3.87	3.95	4.07	-	4.16	4.24	4.38	-	4.41	4.50	4.65	-	4.63	4.73	4.89	-	4.82	4.93	5.09	-	4.99	5.10	5.26	-					
		Amps	14.4	14.8	15.3	-	15.6	16.0	16.5	-	17.0	17.4	18.0	-	18.2	18.6	19.2	-	19.3	19.8	20.5	-	20.5	21.0	21.7	-					
		HI PR	229	246	260	-	257	276	292	-	292	314	332	-	333	358	378	-	374	403	425	-	413	445	470	-					
	2000	LO PR	101	108	118	-	107	114	125	-	111	119	129	-	117	125	136	-	123	130	142	-	127	135	147	-					
		MBh	54.2	56.2	61.6	-	53.0	54.9	60.1	-	51.7	53.6	58.7	-	50.4	52.3	57.3	-	47.9	49.7	54.4	-	44.4	46.0	50.4	-					
		S/T	0.69	0.58	0.40	-	0.72	0.60	0.42	-	0.74	0.62	0.43	-	0.76	0.64	0.44	-	0.79	0.66	0.46	-	0.80	0.66	0.46	-					
	75	1500	ΔT	20	17	13	-	20	17	13	-	20	17	13	-	20	17	13	-	20	17	13	-	19	16	12	-				
			kW	3.96	4.04	4.17	-	4.26	4.35	4.48	-	4.52	4.62	4.76	-	4.75	4.85	5.01	-	4.95	5.05	5.22	-	5.12	5.23	5.40	-				
			Amps	14.8	15.2	15.7	-	16.1	16.4	17.0	-	17.5	17.9	18.5	-	18.7	19.1	19.8	-	19.9	20.4	21.1	-	21.1	21.6	22.4	-				
1750		HI PR	236	254	268	-	265	285	301	-	301	324	342	-	343	369	390	-	386	415	438	-	426	459	484	-					
		LO PR	105	111	122	-	111	118	128	-	115	122	133	-	121	128	140	-	126	135	147	-	131	139	152	-					
		MBh	55.9	57.9	63.4	-	54.6	56.5	62.0	-	53.3	55.2	60.5	-	52.0	53.9	59.0	-	49.4	51.2	56.1	-	45.7	47.4	51.9	-					
2000		S/T	0.73	0.61	0.42	-	0.75	0.63	0.44	-	0.77	0.65	0.45	-	0.80	0.67	0.46	-	0.83	0.69	0.48	-	0.83	0.70	0.48	-					
		ΔT	19	16	12	-	19	16	12	-	19	16	12	-	19	16	13	-	19	16	12	-	18	15	12	-					
		kW	3.99	4.07	4.20	-	4.29	4.38	4.52	-	4.56	4.65	4.80	-	4.79	4.89	5.05	-	4.99	5.10	5.26	-	5.16	5.27	5.44	-					
1500		Amps	15.0	15.3	15.8	-	16.2	16.6	17.2	-	17.6	18.1	18.7	-	18.9	19.3	20.0	-	20.1	20.6	21.3	-	21.3	21.8	22.6	-					
		HI PR	231	249	263	274	259	279	295	307	295	317	335	350	336	362	382	398	378	407	430	448	418	449	475	495					
		LO PR	103	109	119	127	108	115	126	134	113	120	131	139	118	126	137	146	124	132	144	153	128	136	149	159					
1750	MBh	55.1	56.8	61.5	66.0	53.9	55.5	60.0	64.4	52.6	54.1	58.6	62.9	51.3	52.8	57.2	61.4	48.7	50.2	54.3	58.3	45.1	46.5	50.3	54.0						
	S/T	0.79	0.71	0.53	0.34	0.82	0.73	0.55	0.36	0.84	0.75	0.57	0.36	0.86	0.77	0.59	0.38	0.90	0.80	0.61	0.39	0.91	0.81	0.61	0.39						
	ΔT	23	21	17	12	23	21	17	12	23	21	17	12	23	21	18	12	23	21	17	12	21	20	16	11						
2000	kW	3.99	4.07	4.20	4.33	4.29	4.38	4.52	4.66	4.56	4.65	4.80	4.96	4.79	4.89	5.05	5.22	4.99	5.10	5.26	5.44	5.16	5.27	5.44	5.63						
	Amps	15.0	15.3	15.8	16.4	16.2	16.6	17.2	17.8	17.6	18.1	18.7	19.4	18.9	19.3	20.0	20.8	20.1	20.6	21.3	22.1	21.3	21.8	22.6	23.5						
	HI PR	238	256	271	282	267	288	304	317	304	327	346	360	346	373	394	411	390	419	443	462	431	463	489	510						
1500	LO PR	106	112	123	131	112	119	130	138	116	123	135	144	122	130	142	151	128	136	148	158	132	141	153	163						
	MBh	56.8	58.5	63.3	67.9	55.5	57.1	61.8	66.4	54.2	55.8	60.4	64.8	52.8	54.4	58.9	63.2	50.2	51.7	55.9	60.0	46.5	47.9	51.8	55.6						
	S/T	0.83	0.74	0.56	0.36	0.86	0.77	0.58	0.37	0.88	0.79	0.59	0.38	0.91	0.81	0.61	0.39	0.94	0.84	0.64	0.41	0.95	0.85	0.64	0.41						
1750	ΔT	22	20	16	11	22	20	16	11	22	20	16	11	22	20	17	11	22	20	16	11	20	19	15	11						
	kW	4.02	4.11	4.23	4.37	4.33	4.42	4.56	4.70	4.59	4.69	4.84	5.00	4.83	4.93	5.09	5.26	5.03	5.14	5.31	5.48	5.20	5.32	5.49	5.67						
	Amps	15.1	15.5	16.0	16.6	16.4	16.8	17.3	18.0	17.8	18.2	18.8	19.6	19.0	19.5	20.2	20.9	20.3	20.8	21.5	22.3	21.5	22.0	22.8	23.7						
2000	HI PR	241	259	274	285	270	291	307	320	307	331	349	364	350	376	398	415	394	424	447	466	435	468	494	515						
	LO PR	107	114	124	132	113	120	131	139	117	125	136	145	123	131	143	152	129	137	150	160	133	142	155	165						

IDB: Entering Indoor Dry Bulb Temperature
 High and low pressures are measured at the liquid and suction service valves.
 Shaded area reflects ACCA (TVA) conditions
 Amps = outdoor unit amps (comp.+fan)
 kW = Total system power

COOLING DATA — GSX130601B* / CA*F4961*6A* (CONT.)

IDB	AIRFLOW	OUTDOOR AMBIENT TEMPERATURE												ENTERING INDOOR WET BULB TEMPERATURE											
		65°F				75°F				85°F				95°F				105°F				115°F			
		59	63	67	71	59	63	67	71	59	63	67	71	59	63	67	71	59	63	67	71	59	63	67	71
80	MBh	51.8	52.9	56.6	60.5	50.6	51.7	55.2	59.1	49.4	50.5	53.9	57.6	48.2	49.2	52.6	56.2	45.8	46.8	50.0	53.4	42.4	43.3	46.3	49.5
	S/T	0.83	0.78	0.64	0.48	0.86	0.81	0.66	0.49	0.89	0.83	0.68	0.51	0.91	0.86	0.70	0.52	0.95	0.89	0.72	0.54	0.96	0.90	0.73	0.55
	ΔT	26	25	22	18	27	26	22	18	27	26	22	18	27	26	23	18	27	26	22	18	25	24	21	17
	kW	3.93	4.01	4.13	4.26	4.22	4.31	4.45	4.59	4.48	4.58	4.72	4.88	4.71	4.81	4.97	5.13	4.90	5.01	5.17	5.34	5.07	5.18	5.35	5.53
	Amps	14.7	15.1	15.6	16.1	15.9	16.3	16.8	17.5	17.3	17.7	18.3	19.0	18.5	19.0	19.6	20.4	19.7	20.2	20.9	21.7	20.9	21.4	22.2	23.0
	HI PR	234	251	265	277	262	282	298	311	298	321	339	353	339	365	386	402	382	411	434	453	422	454	479	500
	LO PR	104	110	120	128	109	116	127	135	114	121	132	141	119	127	139	148	125	133	145	155	129	138	150	160
	MBh	56.1	57.4	61.3	65.5	54.8	56.0	59.9	64.0	53.5	54.7	58.4	62.5	52.2	53.4	57.0	60.9	49.6	50.7	54.2	57.9	45.9	46.9	50.2	53.6
	S/T	0.86	0.81	0.66	0.49	0.90	0.84	0.68	0.51	0.92	0.86	0.70	0.52	0.95	0.89	0.72	0.54	0.98	0.92	0.75	0.56	0.99	0.93	0.76	0.57
	ΔT	25	24	21	17	26	25	22	17	26	25	22	17	26	25	22	17	26	25	21	17	24	23	20	16
kW	4.02	4.11	4.23	4.37	4.33	4.42	4.56	4.70	4.59	4.69	4.84	5.00	4.83	4.93	5.09	5.26	5.03	5.14	5.31	5.48	5.20	5.32	5.49	5.67	
Amps	15.1	15.5	16.0	16.6	16.4	16.8	17.3	18.0	17.8	18.2	18.8	19.6	19.0	19.5	20.2	20.9	20.3	20.8	21.5	22.3	21.5	22.0	22.8	23.7	
HI PR	241	259	274	285	270	291	307	320	307	331	349	364	350	377	398	415	394	424	447	467	435	468	494	515	
LO PR	107	114	124	132	113	120	131	140	117	125	136	145	123	131	143	152	129	137	150	160	133	142	155	165	
MBh	57.8	59.1	63.1	67.5	56.5	57.7	61.6	65.9	55.1	56.3	60.2	64.3	53.8	55.0	58.7	62.8	51.1	52.2	55.8	59.6	47.3	48.4	51.7	55.2	
S/T	0.91	0.85	0.69	0.52	0.94	0.88	0.72	0.54	0.96	0.90	0.74	0.55	1.00	0.93	0.76	0.57	1.00	0.97	0.79	0.59	1.00	1.00	0.79	0.59	
ΔT	24	23	20	16	24	23	20	16	24	23	20	16	25	24	20	16	23	23	20	16	22	22	19	15	
kW	4.05	4.14	4.27	4.40	4.36	4.45	4.59	4.74	4.63	4.73	4.88	5.04	4.87	4.97	5.13	5.30	5.07	5.18	5.35	5.53	5.24	5.36	5.54	5.72	
Amps	15.2	15.6	16.1	16.7	16.5	16.9	17.5	18.1	18.0	18.4	19.0	19.8	19.2	19.7	20.4	21.1	20.5	21.0	21.7	22.5	21.7	22.3	23.0	23.9	
HI PR	243	262	276	288	273	294	310	323	310	334	353	368	353	380	402	419	398	428	452	471	439	473	499	521	
LO PR	108	115	125	133	114	121	132	141	118	126	137	146	124	132	144	154	130	139	151	161	135	143	157	167	

85	MBh	52.7	53.7	56.3	60.0	51.5	52.5	55.0	58.6	50.3	51.2	53.7	57.2	49.0	50.0	52.3	55.8	46.6	47.5	49.7	53.1	43.1	44.0	46.1	49.1
	S/T	0.87	0.84	0.76	0.62	0.91	0.87	0.79	0.64	0.93	0.90	0.81	0.66	0.96	0.93	0.83	0.68	1.00	0.96	0.87	0.70	1.00	0.97	0.87	0.71
	ΔT	28	28	26	23	29	28	27	23	29	28	27	23	29	28	27	23	28	28	26	23	26	26	25	21
	kW	3.96	4.04	4.17	4.30	4.26	4.35	4.48	4.62	4.52	4.61	4.76	4.92	4.75	4.85	5.01	5.17	4.94	5.05	5.22	5.39	5.11	5.23	5.40	5.58
	Amps	14.8	15.2	15.7	16.3	16.0	16.4	17.0	17.6	17.5	17.9	18.5	19.2	18.7	19.1	19.8	20.5	19.9	20.4	21.1	21.9	21.1	21.6	22.4	23.2
	HI PR	236	254	268	280	265	285	301	314	301	324	342	357	343	369	390	406	386	415	438	457	426	459	484	505
	LO PR	105	111	121	129	110	118	128	137	115	122	133	142	121	128	140	149	126	134	147	156	131	139	152	162
	MBh	57.1	58.2	61.0	65.0	55.8	56.9	59.6	63.5	54.5	55.5	58.1	62.0	53.1	54.2	56.7	60.5	50.5	51.4	53.9	57.5	46.7	47.7	49.9	53.2
	S/T	0.91	0.87	0.79	0.64	0.94	0.91	0.82	0.66	0.96	0.93	0.84	0.68	0.99	0.96	0.87	0.70	1.00	1.00	0.90	0.73	1.00	1.00	0.91	0.74
	ΔT	27	27	25	22	28	27	26	22	28	27	26	22	28	27	26	22	27	27	25	22	25	25	24	21
kW	4.05	4.14	4.27	4.40	4.36	4.45	4.59	4.74	4.63	4.73	4.88	5.04	4.87	4.97	5.13	5.30	5.07	5.18	5.35	5.53	5.24	5.36	5.54	5.72	
Amps	15.2	15.6	16.1	16.7	16.5	16.9	17.5	18.1	18.0	18.4	19.0	19.8	19.2	19.7	20.4	21.1	20.5	21.0	21.7	22.5	21.7	22.3	23.0	23.9	
HI PR	243	262	276	288	273	294	310	323	310	334	353	368	353	380	402	419	398	428	452	471	439	473	499	521	
LO PR	108	115	125	133	114	121	132	141	118	126	137	146	124	132	144	154	130	139	151	161	135	143	157	167	
MBh	58.8	60.0	62.8	67.0	57.5	58.6	61.3	65.4	56.1	57.2	59.9	63.9	54.7	55.8	58.4	62.3	52.0	53.0	55.5	59.2	48.2	49.1	51.4	54.8	
S/T	0.95	0.92	0.83	0.67	0.99	0.95	0.86	0.70	1.00	0.97	0.88	0.71	1.00	1.00	0.91	0.74	1.00	1.00	0.94	0.76	1.00	1.00	0.95	0.77	
ΔT	26	25	24	21	26	26	24	21	26	26	24	21	25	26	24	21	24	24	24	21	22	23	22	19	
kW	4.09	4.17	4.30	4.44	4.39	4.49	4.63	4.78	4.67	4.77	4.92	5.08	4.91	5.01	5.18	5.35	5.11	5.22	5.39	5.57	5.29	5.40	5.58	5.77	
Amps	15.4	15.8	16.3	16.9	16.7	17.1	17.6	18.3	18.1	18.6	19.2	19.9	19.4	19.9	20.6	21.3	20.7	21.2	21.9	22.7	21.9	22.5	23.2	24.1	
HI PR	246	264	279	291	276	297	313	327	313	337	356	371	357	384	406	423	402	432	456	476	444	477	504	526	
LO PR	109	116	126	135	115	122	134	142	120	127	139	148	126	134	146	155	132	140	153	163	136	145	158	168	

IDB: Entering Indoor Dry Bulb Temperature
 High and low pressures are measured at the liquid and suction service valves.
 Shaded area reflects AHRI conditions
 Amps = outdoor unit amps (comp. + fan)
 kW = Total system power

COOLING DATA — GSX130611*/CA*F4961*6D*+EEP

IDB		OUTDOOR AMBIENT TEMPERATURE												ENTERING INDOOR WET BULB TEMPERATURE												
		65				75				85				95				105				115				
		59	63	67	71	59	63	67	71	59	63	67	71	59	63	67	71	59	63	67	71	59	63	67	71	
70	1500	MBh	53.8	55.7	61.0	-	51.3	53.1	58.2	-	50.0	51.8	56.8	-	47.5	49.2	53.9	-	44.0	45.6	50.0	-	41.5	43.1	47.8	-
		S/T	0.66	0.55	0.38	-	0.70	0.58	0.40	-	0.72	0.60	0.42	-	0.75	0.62	0.43	-	0.75	0.63	0.44	-	0.75	0.63	0.44	-
		ΔT	22	19	14	-	22	19	14	-	22	19	14	-	22	19	14	-	22	19	14	-	22	19	14	-
		kW	3.97	4.05	4.18	-	4.27	4.37	4.51	-	4.78	4.89	5.05	-	4.99	5.10	5.27	-	5.16	5.28	5.45	-	5.33	5.45	5.62	-
	1750	Amps	15.4	15.8	16.3	-	16.7	17.1	17.6	-	19.4	19.9	20.6	-	20.7	21.2	21.9	-	22.0	22.5	23.3	-	22.1	22.6	23.4	-
		HI PR	228	245	259	-	256	275	291	-	331	357	377	-	373	401	424	-	412	443	468	-	441	472	497	-
		LO PR	98	104	114	-	103	110	120	-	107	114	125	-	113	120	131	-	118	126	137	-	122	130	142	-
		MBh	55.4	57.4	62.9	-	52.8	54.7	59.9	-	51.5	53.4	58.5	-	48.9	50.7	55.6	-	45.3	47.0	51.5	-	42.8	44.5	49.0	-
	2000	S/T	0.69	0.57	0.40	-	0.71	0.60	0.41	-	0.73	0.61	0.42	-	0.75	0.63	0.44	-	0.78	0.65	0.45	-	0.79	0.66	0.46	-
		ΔT	20	17	13	-	20	18	13	-	20	18	13	-	20	17	13	-	20	17	13	-	20	16	12	-
		kW	4.00	4.09	4.21	-	4.31	4.40	4.54	-	4.82	4.93	5.09	-	5.03	5.14	5.31	-	5.20	5.32	5.50	-	5.37	5.49	5.67	-
		Amps	15.5	15.9	16.4	-	16.8	17.2	17.8	-	19.6	20.1	20.8	-	20.9	21.4	22.2	-	22.2	22.7	23.5	-	22.3	22.8	23.6	-
75	1500	HI PR	230	248	262	-	258	278	294	-	294	316	334	-	335	360	380	-	377	405	428	-	416	448	473	-
		LO PR	99	105	115	-	104	111	121	-	108	115	126	-	114	121	132	-	119	127	139	-	124	131	143	-
		MBh	55.6	57.7	63.2	-	54.3	56.3	61.7	-	53.0	55.0	60.2	-	51.8	53.6	58.8	-	49.2	51.0	55.8	-	45.5	47.2	51.7	-
		S/T	0.70	0.58	0.40	-	0.72	0.60	0.42	-	0.74	0.62	0.43	-	0.77	0.64	0.44	-	0.79	0.66	0.46	-	0.80	0.67	0.46	-
1750	ΔT	18	15	12	-	18	16	12	-	18	16	12	-	18	16	12	-	18	16	12	-	17	15	11	-	
	kW	4.03	4.12	4.25	-	4.34	4.44	4.58	-	4.62	4.72	4.88	-	4.86	4.97	5.13	-	5.07	5.18	5.36	-	5.25	5.37	5.55	-	
	Amps	15.7	16.1	16.6	-	17.0	17.4	18.0	-	18.5	18.9	19.6	-	19.8	20.3	21.0	-	21.1	21.6	22.4	-	22.4	22.9	23.7	-	
	HI PR	233	250	264	-	261	281	297	-	297	319	337	-	338	364	384	-	380	409	432	-	420	452	477	-	
2000	LO PR	100	106	116	-	105	112	122	-	110	117	127	-	115	122	134	-	121	128	140	-	125	133	145	-	
	MBh	54.7	56.3	60.9	65.4	53.4	55.0	59.5	63.9	52.1	53.7	58.1	62.3	50.9	52.4	56.7	60.8	48.3	49.7	53.8	57.8	44.7	46.1	49.9	53.5	
	S/T	0.75	0.67	0.50	0.32	0.77	0.69	0.52	0.34	0.79	0.71	0.54	0.35	0.82	0.73	0.55	0.36	0.85	0.76	0.57	0.37	0.86	0.77	0.58	0.37	
	ΔT	25	23	19	13	25	23	19	13	25	23	19	13	26	23	19	13	25	23	19	13	23	22	18	12	
75	1500	kW	4.00	4.09	4.22	4.35	4.31	4.40	4.55	4.69	4.58	4.68	4.84	5.00	4.82	4.93	5.09	5.26	5.03	5.14	5.31	5.49	5.20	5.32	5.50	5.69
		Amps	15.5	15.9	16.4	17.1	16.8	17.2	17.8	18.5	18.3	18.8	19.4	20.2	19.6	20.1	20.8	21.6	20.9	21.4	22.2	23.0	22.2	22.7	23.5	24.4
		HI PR	230	248	262	273	258	278	294	306	294	316	334	348	335	360	380	397	377	405	428	446	416	448	473	493
		LO PR	99	105	115	122	104	111	121	129	108	115	126	134	114	121	132	141	119	127	139	148	124	131	143	153
1750	MBh	56.3	58.0	62.7	67.3	55.0	56.6	61.3	65.8	53.7	55.3	59.8	64.2	52.4	53.9	58.4	62.6	49.8	51.2	55.5	59.5	46.1	47.5	51.4	55.1	
	S/T	0.78	0.70	0.53	0.34	0.81	0.72	0.55	0.35	0.83	0.74	0.56	0.36	0.86	0.77	0.58	0.37	0.89	0.80	0.60	0.39	0.90	0.80	0.61	0.39	
	ΔT	23	21	17	12	23	22	18	12	23	22	18	12	24	22	18	12	23	21	18	12	22	20	16	11	
	kW	4.03	4.12	4.25	4.39	4.34	4.44	4.58	4.73	4.62	4.72	4.88	5.04	4.86	4.97	5.14	5.31	5.07	5.18	5.36	5.54	5.25	5.37	5.55	5.74	
2000	Amps	15.7	16.1	16.6	17.2	17.0	17.4	18.0	18.7	18.5	18.9	19.6	20.3	19.8	20.3	21.0	21.8	21.1	21.6	22.4	23.2	22.4	22.9	23.7	24.7	
	HI PR	233	250	264	276	261	281	297	309	297	320	337	352	338	364	384	401	380	409	432	451	420	452	478	498	
	LO PR	100	106	116	123	105	112	122	130	110	117	127	136	115	122	134	142	121	128	140	149	125	133	145	154	
	MBh	56.6	58.3	63.1	67.7	55.3	56.9	61.6	66.1	53.9	55.5	60.1	64.5	52.6	54.2	58.7	63.0	50.0	51.5	55.7	59.8	46.3	47.7	51.6	55.4	
75	1500	S/T	0.79	0.71	0.54	0.35	0.82	0.73	0.56	0.36	0.84	0.75	0.57	0.37	0.87	0.78	0.59	0.38	0.90	0.81	0.61	0.39	0.91	0.80	0.62	0.40
		ΔT	21	19	16	11	21	19	16	11	21	19	16	11	21	19	16	11	21	19	16	11	19	18	15	10
		kW	4.06	4.15	4.28	4.42	4.38	4.48	4.62	4.77	4.66	4.76	4.92	5.08	4.90	5.01	5.18	5.35	5.11	5.23	5.40	5.59	5.29	5.41	5.59	5.78
		Amps	15.8	16.2	16.7	17.4	17.1	17.6	18.1	18.8	18.7	19.1	19.8	20.5	20.0	20.5	21.2	22.0	21.3	21.8	22.6	23.5	22.6	23.2	24.0	24.9
2000	HI PR	235	253	267	278	264	284	300	312	300	323	341	355	341	367	388	405	384	413	437	455	424	457	482	503	
	LO PR	101	107	117	125	106	113	124	132	111	118	129	137	116	124	135	144	122	130	141	151	126	134	146	156	
	MBh	56.9	58.6	63.4	68.0	55.6	57.2	61.9	66.5	54.2	55.8	60.5	65.1	52.8	54.4	59.1	63.7	50.4	51.9	56.6	61.2	46.9	48.4	52.1	55.7	
	S/T	0.80	0.72	0.55	0.36	0.83	0.74	0.56	0.36	0.85	0.76	0.58	0.37	0.88	0.79	0.60	0.39	0.91	0.81	0.61	0.39	0.92	0.81	0.62	0.40	

IDB: Entering Indoor Dry Bulb Temperature
 High and low pressures are measured at the liquid and suction service valves.
 Shaded area reflects ACCA (TVA) conditions
 Amps = outdoor unit amps (comp.+fan)
 kW = Total system power

COOLING DATA — GSX130611*/CA*F4961*6D*+EEP (CONT.)

IDB	AIRFLOW	OUTDOOR AMBIENT TEMPERATURE												ENTERING INDOOR WET BULB TEMPERATURE													
		65				75				85				95				105				115					
		59	63	67	71	59	63	67	71	59	63	67	71	59	63	67	71	59	63	67	71	59	63	67	71		
80	1500	MBh	55.6	56.9	60.7	64.9	54.3	55.5	59.3	63.4	53.0	54.2	57.9	61.9	51.8	52.9	56.5	60.4	49.2	50.2	53.7	57.4	45.5	46.5	49.7	53.2	
		S/T	0.82	0.77	0.62	0.47	0.85	0.80	0.65	0.48	0.87	0.82	0.66	0.50	0.90	0.84	0.69	0.51	0.93	0.87	0.71	0.53	0.94	0.88	0.72	0.54	
		ΔT	28	27	23	19	28	27	24	19	28	27	24	19	28	27	24	19	28	27	23	19	26	25	22	17	
	1750	kW	4.03	4.12	4.25	4.39	4.35	4.44	4.58	4.73	4.62	4.72	4.88	5.04	4.86	4.97	5.14	5.31	5.07	5.18	5.36	5.54	5.25	5.37	5.55	5.74	
		Amps	15.7	16.1	16.6	17.2	17.0	17.4	18.0	18.7	18.5	18.9	19.6	20.3	19.8	20.3	21.0	21.8	21.1	21.6	22.4	23.2	22.4	22.9	23.7	24.7	
		HI PR	233	250	264	276	261	281	297	309	297	320	337	352	338	364	384	401	380	409	432	451	420	452	478	498	
	2000	LO PR	100	106	116	123	105	112	122	130	110	117	127	136	115	122	134	142	121	128	140	149	125	133	145	154	
		MBh	57.3	58.8	62.6	66.9	56.0	57.2	61.1	65.3	54.6	55.8	59.6	63.8	53.3	54.5	58.2	62.2	50.6	51.7	55.3	59.1	46.9	47.9	51.2	54.7	
		S/T	0.86	0.80	0.65	0.49	0.89	0.83	0.68	0.51	0.91	0.85	0.70	0.52	0.94	0.88	0.72	0.54	1.00	0.92	0.75	0.56	1.00	0.92	0.75	0.56	
	85	1500	ΔT	26	25	22	17	26	25	22	17	26	25	22	17	26	25	22	18	27	25	22	17	25	23	20	16
			kW	4.07	4.15	4.28	4.42	4.38	4.48	4.62	4.77	4.66	4.76	4.92	5.08	4.90	5.01	5.18	5.35	5.11	5.23	5.40	5.59	5.29	5.41	5.59	5.79
			Amps	15.8	16.2	16.7	17.4	17.1	17.6	18.2	18.9	18.7	19.1	19.8	20.5	20.0	20.5	21.2	22.0	21.3	21.8	22.6	23.5	22.6	23.2	24.0	24.9
1750		HI PR	235	253	267	279	264	284	300	313	300	323	341	355	342	368	388	405	384	414	437	455	425	457	482	503	
		LO PR	101	107	117	125	107	113	124	132	111	118	129	137	116	124	135	144	122	130	142	151	126	134	146	156	
		MBh	57.6	58.8	62.9	67.2	56.2	57.5	61.4	65.6	54.9	56.1	59.9	64.1	53.6	54.7	58.5	62.5	50.9	52.0	55.6	59.4	47.1	48.2	51.5	55.0	
2000		S/T	0.87	0.82	0.66	0.50	0.90	0.85	0.69	0.51	0.92	0.87	0.71	0.53	0.95	0.89	0.73	0.54	1.00	0.93	0.76	0.56	1.00	0.94	0.76	0.57	
		ΔT	23	22	19	15	23	22	19	16	23	22	19	16	23	23	20	16	23	22	19	15	22	21	18	14	
		kW	4.10	4.19	4.32	4.46	4.42	4.51	4.66	4.81	4.70	4.80	4.96	5.12	4.94	5.06	5.22	5.40	5.16	5.27	5.45	5.63	5.34	5.46	5.64	5.84	
85		1500	Amps	16.0	16.4	16.9	17.6	17.3	17.7	18.3	19.0	18.8	19.3	20.0	20.7	20.2	20.7	21.4	22.2	21.5	22.0	22.8	23.7	22.8	23.4	24.2	25.1
			HI PR	237	255	270	281	266	287	303	316	303	326	344	359	345	371	392	409	388	418	441	460	429	461	487	508
			LO PR	101	107	117	125	107	113	124	132	111	118	129	137	116	124	135	144	122	130	142	151	126	134	146	156
	1750	MBh	58.3	59.4	62.2	66.4	56.9	58.1	60.8	64.9	55.6	56.7	59.4	63.3	54.2	55.3	57.9	61.8	51.5	52.5	55.0	58.7	47.7	48.7	51.0	54.4	
		S/T	0.90	0.87	0.78	0.64	0.93	0.90	0.81	0.66	0.96	0.92	0.83	0.68	0.99	0.95	0.86	0.70	1.00	0.99	0.89	0.72	1.00	1.00	0.90	0.73	
		ΔT	28	27	26	22	28	27	26	22	28	27	26	22	28	28	26	23	27	27	26	22	25	25	24	21	
	2000	kW	4.10	4.19	4.32	4.46	4.42	4.51	4.66	4.81	4.70	4.80	4.96	5.12	4.95	5.06	5.22	5.40	5.16	5.27	5.45	5.63	5.34	5.46	5.64	5.84	
		Amps	16.0	16.4	16.9	17.6	17.3	17.7	18.3	19.0	18.8	19.3	20.0	20.7	20.2	20.7	21.4	22.2	21.5	22.0	22.8	23.7	22.8	23.4	24.2	25.1	
		HI PR	237	255	270	281	266	287	303	316	303	326	344	359	345	371	392	409	388	418	441	460	429	461	487	508	
	2000	LO PR	102	108	118	126	108	114	125	133	112	119	130	138	117	125	136	145	123	131	143	152	127	135	148	157	
		MBh	58.6	59.7	62.5	66.7	57.2	58.3	61.1	65.2	55.9	56.9	59.6	63.6	54.5	55.6	58.2	62.1	51.8	52.8	55.3	59.0	48.0	48.9	51.2	54.6	
		S/T	0.91	0.88	0.79	0.64	0.94	0.91	0.82	0.67	0.97	0.93	0.84	0.68	1.00	0.96	0.87	0.71	1.00	1.00	0.90	0.73	1.00	1.00	0.91	0.74	
2000	ΔT	25	24	23	20	25	24	23	20	25	24	23	20	25	25	23	20	24	24	23	20	22	22	21	19		
	kW	4.13	4.22	4.35	4.50	4.45	4.55	4.70	4.85	4.74	4.84	5.00	5.17	4.99	5.10	5.27	5.45	5.20	5.32	5.49	5.68	5.38	5.50	5.69	5.89		
	Amps	16.1	16.5	17.1	17.7	17.5	17.9	18.5	19.2	19.0	19.5	20.1	20.9	20.4	20.9	21.6	22.4	21.7	22.2	23.0	23.9	23.0	23.6	24.4	25.4		
2000	HI PR	240	258	272	284	269	289	306	319	306	329	348	363	348	375	396	413	392	422	445	465	433	466	492	513		
	LO PR	103	109	119	127	109	116	126	134	113	120	131	140	119	126	138	147	124	132	144	154	129	137	149	159		

Amperage = outdoor unit amps (comp.+fan)
kW = Total system power

Shaded area reflects AHRI conditions

IDB: Entering Indoor Dry Bulb Temperature
High and low pressures are measured at the liquid and suction service valves.

OUTDOOR UNIT	INDOOR UNITS		COOLING RATINGS				CFM	AHRI #
	COILS/AIR HANDLERS	FURNACES	TOTAL ¹	SENS. ¹	SEER ²	EER ³		
	ACNF18XX16D*		16,800	12,800	13.00	10.80	600	5039733
	ACNF24XX16D*		17,000	13,000	13.00	10.80	600	5039734
	ARPT18B14A*		17,400	13,300	13.00	11.00	600	5360106
	ARPT24B14A*		17,200	13,100	13.00	11.00	600	5378531
	ARUF18B14A*		17,200	13,100	13.00	11.00	600	5360107
	ARUF18B14A*+TXV		17,200	13,100	13.00	11.00	600	5378529
	ARUF24B14C*		17,200	13,100	13.00	11.00	600	7084828
	ARUF24B14C*+TXV		17,200	13,100	13.50	11.00	600	7084829
	ASPT24B14A*		17,600	13,400	14.00	12.00	605	5722521
	ASPT30C14A*		18,000	13,700	14.00	12.00	580	5722522
	ASUF29B14A*		17,600	13,400	13.50	11.50	605	5722520
	ASUF29B14A*+TXV		17,600	13,400	14.00	12.00	605	5722563
	AVPTC24B14A*		17,600	13,400	14.00	12.00	600	5924342
	AVPTC30C14A*		18,000	13,700	14.00	12.00	615	5924442
	AWUF18XX16B*		17,200	13,100	13.00	11.00	600	5039739
	AWUF31XX16A*		17,200	13,100	14.00	11.30	600	5039740
	CA*F1824*6D*	A*VC960403BNA*	17,800	13,600	14.00	11.50	625	7353494
	CA*F1824*6D*	A*EC960402BNA*	17,800	13,600	14.00	11.50	600	7365335
	CA*F1824*6D*	G*VM960603BXB*	18,000	13,700	14.00	11.50	670	5620945
	CA*F1824*6D*	A*EH800603B*A*	17,800	13,600	14.00	11.50	640	6944831
	CA*F1824*6D*	A*VC960603BNA*	17,800	13,600	14.00	11.50	600	7353495
	CA*F1824*6D*	G*VC950704CXB*	17,800	13,600	14.00	11.50	640	5620944
	CA*F1824*6D*	G*VC960803BNA*	17,800	13,600	14.00	11.50	630	7353501
	CA*F1824*6D*	G*VC950453BXB*	17,800	13,600	14.00	11.50	640	5620941
	CA*F1824*6D*	G*VC80604B*B*	18,000	13,700	14.00	11.50	670	5039746
	CA*F1824*6D*	G*VM970603BNA*	17,800	13,600	14.00	11.50	600	7353502
	CA*F1824*6D*	A*VC80604B*B*	18,000	13,700	14.00	11.50	675	5039742
	CA*F1824*6D*	G*E80603B*B*	17,800	13,600	14.00	11.50	640	5039744
	CA*F1824*6D*	A*VC950453BXB*	18,000	13,700	14.00	11.60	600	6497529
	CA*F1824*6D*	G*EC960603BNA*	17,400	13,300	14.00	11.50	550	7365234
	CA*F1824*6D*	A*EC960603BNA*	17,400	13,300	14.00	11.50	550	7365340
	CA*F1824*6D*	A*EC960803BNA*	17,800	13,600	14.00	11.50	575	7365345
	CA*F1824*6D*	A*EC960302BNA*	17,800	13,600	14.00	11.50	600	7365330
	CA*F1824*6D*	A*VM960603BXB*	18,000	13,700	14.00	11.60	600	6497530
	CA*F1824*6D*	A*VC960803BNA*	17,800	13,600	14.00	11.50	630	7353496
	CA*F1824*6D*	G*VC960403BNA*	17,800	13,600	14.00	11.50	625	7353499
	CA*F1824*6D*	GME950403BXA*	18,000	13,700	14.00	11.60	600	6497531
	CA*F1824*6D*	A*VM970803BNA*	17,800	13,600	14.00	11.50	630	7353498
	CA*F1824*6D*	A*VM970603BNA*	17,800	13,600	14.00	11.50	600	7353497
	CA*F1824*6D*	G*EC960402BNA*	17,800	13,600	14.00	11.50	600	7365229
	CA*F1824*6D*	G*VC960603BNA*	17,800	13,600	14.00	11.50	600	7353500
	CA*F1824*6D*	G*EC960302BNA*	17,800	13,600	14.00	11.50	600	7365224
	CA*F1824*6D*	AMEH960403BXA*	18,000	13,700	14.00	11.60	600	6944834
	CA*F1824*6D*	G*EC960803BNA*	17,800	13,600	14.00	11.50	575	7365239
	CA*F1824*6D*	G*VM970803BNA*	17,800	13,600	14.00	11.50	630	7353503
	CA*F1824*6D*+EEP		17,800	13,600	13.00	11.00	650	5039750
	CA*F1824*6D*+MBVC1200**-1A*		18,200	13,900	14.00	11.50	640	5039751
	CA*F1824*6D*+TXV	G*VC960603BNA*	17,800	13,600	14.00	11.50	600	7353510
	CA*F1824*6D*+TXV	A*VM970603BNA*	17,800	13,600	14.00	11.50	600	7353507
	CA*F1824*6D*+TXV	A*VC960803BNA*	17,800	13,600	14.00	11.50	630	7353506
	CA*F1824*6D*+TXV	G*VM970603BNA*	17,800	13,600	14.00	11.50	600	7353512
	CA*F1824*6D*+TXV	A*EC960302BNA*	17,800	13,600	14.00	11.50	600	7365331
	CA*F1824*6D*+TXV	A*VC960603BNA*	17,800	13,600	14.00	11.50	600	7353505
	CA*F1824*6D*+TXV	G*EC960402BNA*	17,800	13,600	14.00	11.50	600	7365230
	CA*F1824*6D*+TXV	A*VM970803BNA*	17,800	13,600	14.00	11.50	630	7353508
	CA*F1824*6D*+TXV	G*VM970803BNA*	17,800	13,600	14.00	11.50	630	7353513

See Notes on Page 55.

OUTDOOR UNIT	INDOOR UNITS		COOLING RATINGS				CFM	AHRI #
	COILS/AIR HANDLERS	FURNACES	TOTAL ¹	SENS. ¹	SEER ²	EER ³		
GSX13 0181E* (cont.)	CA*F1824*6D*+TXV	A*VC960403BNA*	17,800	13,600	14.00	11.50	625	7353504
	CA*F1824*6D*+TXV	G*EC960603BNA*	17,400	13,300	14.00	11.50	550	7365235
	CA*F1824*6D*+TXV	A*EC960402BNA*	17,800	13,600	14.00	11.50	600	7365336
	CA*F1824*6D*+TXV	G*VC960803BNA*	17,800	13,600	14.00	11.50	630	7353511
	CA*F1824*6D*+TXV	G*EC960302BNA*	17,800	13,600	14.00	11.50	600	7365225
	CA*F1824*6D*+TXV	A*EC960603BNA*	17,400	13,300	14.00	11.50	550	7365341
	CA*F1824*6D*+TXV	G*EC960803BNA*	17,800	13,600	14.00	11.50	575	7365240
	CA*F1824*6D*+TXV	G*VC960403BNA*	17,800	13,600	14.00	11.50	625	7353509
	CA*F1824*6D*+TXV	A*EC960803BNA*	17,800	13,600	14.00	11.50	575	7365346
	CA*F3030*6D*+EEP		18,000	13,700	13.00	11.00	650	5561904
	CA*F3030*6D*+EEP+TXV		18,000	13,700	13.00	11.00	650	5581977
	CA*F3131*6D*+EEP		18,000	13,700	13.00	11.00	650	5561905
	CA*F3131*6D*+EEP+TXV		18,000	13,700	13.00	11.00	650	5561906
	CA*F3636*6D*	G*VC960403BNA*	18,400	14,000	14.00	11.50	625	7353519
	CA*F3636*6D*	A*VC960803BNA*	18,400	14,000	14.00	11.50	630	7353516
	CA*F3636*6D*	A*VC960603BNA*	18,400	14,000	14.00	11.50	600	7353515
	CA*F3636*6D*	G*VC960603BNA*	18,400	14,000	14.00	11.50	600	7353520
	CA*F3636*6D*	A*VC960403BNA*	18,400	14,000	14.00	11.50	625	7353514
	CA*F3636*6D*	G*VM970803BNA*	18,400	14,000	14.00	11.50	630	7353523
	CA*F3636*6D*	G*VM970603BNA*	18,400	14,000	14.00	11.50	600	7353522
	CA*F3636*6D*	A*VM970803BNA*	18,400	14,000	14.00	11.50	630	7353518
	CA*F3636*6D*	A*VM970603BNA*	18,400	14,000	14.00	11.50	600	7353517
	CA*F3636*6D*	G*VC960803BNA*	18,400	14,000	14.00	11.50	630	7353521
	CA*F3636*6D*+TXV	A*VC960803BNA*	18,400	14,000	14.00	11.50	630	7353526
	CA*F3636*6D*+TXV	G*VC960803BNA*	18,400	14,000	14.00	11.50	630	7353531
	CA*F3636*6D*+TXV	G*VM970603BNA*	18,400	14,000	14.00	11.50	600	7353532
	CA*F3636*6D*+TXV	A*VC960603BNA*	18,400	14,000	14.00	11.50	600	7353525
	CA*F3636*6D*+TXV	G*VC960403BNA*	18,400	14,000	14.00	11.50	625	7353529
	CA*F3636*6D*+TXV	G*VM970803BNA*	18,400	14,000	14.00	11.50	630	7353533
	CA*F3636*6D*+TXV	G*VC960603BNA*	18,400	14,000	14.00	11.50	600	7353530
	CA*F3636*6D*+TXV	A*VM970803BNA*	18,400	14,000	14.00	11.50	630	7353528
	CA*F3636*6D*+TXV	A*VM970603BNA*	18,400	14,000	14.00	11.50	600	7353527
	CA*F3636*6D*+TXV	A*VC960403BNA*	18,400	14,000	14.00	11.50	625	7353524
	CAPT3131*4A*	AMEH960603BXA*	18,000	13,700	14.00	11.50	575	6944842
	CAPT3131*4A*	G*VC960403BNA*	18,000	13,700	14.00	11.50	625	7353539
	CAPT3131*4A*	G*EC960402BNA*	17,800	13,600	14.00	11.50	600	7365231
	CAPT3131*4A*	A*VC960803BNA*	18,000	13,700	14.00	11.50	630	7353536
	CAPT3131*4A*	G*VM970603BNA*	18,000	13,700	14.00	11.50	600	7353542
	CAPT3131*4A*	A*EC960803BNA*	17,800	13,600	14.00	11.50	575	7365347
	CAPT3131*4A*	ADVC80603B*B*	18,000	13,700	14.00	11.50	675	5948610
	CAPT3131*4A*	G*VM970803BNA*	18,000	13,700	14.00	11.50	630	7353543
	CAPT3131*4A*	GME950603BXA*	18,000	13,700	14.00	11.50	575	5948628
	CAPT3131*4A*	G*VC80604B*B*	18,000	13,700	14.00	11.50	675	5948614
	CAPT3131*4A*	G*VM960603BXB*	18,000	13,700	14.00	11.50	650	5948622
	CAPT3131*4A*	A*VM960604CXB*	18,000	13,700	14.00	11.50	670	5948608
	CAPT3131*4A*	G*EC960302BNA*	17,800	13,600	14.00	11.50	600	7365226
	CAPT3131*4A*	A*VC960603BNA*	18,000	13,700	14.00	11.50	600	7353535
	CAPT3131*4A*	G*VC960603BNA*	18,000	13,700	14.00	11.50	600	7353540
	CAPT3131*4A*	G*VM960604CXB*	18,000	13,700	14.00	11.50	670	5948624
	CAPT3131*4A*	A*EC960402BNA*	17,800	13,600	14.00	11.50	600	7365337
CAPT3131*4A*	A*VM960603BXB*	18,000	13,700	14.00	11.50	650	5948606	
CAPT3131*4A*	A*VC960403BNA*	18,000	13,700	14.00	11.50	625	7353534	
CAPT3131*4A*	A*VC80604B*B*	18,000	13,700	14.00	11.50	675	5948598	
CAPT3131*4A*	G*EC960803BNA*	17,800	13,600	14.00	11.50	575	7365241	
CAPT3131*4A*	A*VM970603BNA*	18,000	13,700	14.00	11.50	600	7353537	
CAPT3131*4A*	A*VC950714CXB*	18,000	13,700	14.00	11.50	650	5948604	

See Notes on Page 55.

OUTDOOR UNIT	INDOOR UNITS		COOLING RATINGS				CFM	AHRI #
	COILS/AIR HANDLERS	FURNACES	TOTAL ¹	SENS. ¹	SEER ²	EER ³		
	CAPT3131*4A*	A*VC950453BXB*	18,000	13,700	14.00	11.50	650	5948600
	CAPT3131*4A*	AMEH960403BXA*	18,000	13,700	14.00	11.50	575	6944839
	CAPT3131*4A*	G*VC950704CXB*	18,000	13,700	14.00	11.50	660	5948618
	CAPT3131*4A*	A*EC960302BNA*	17,800	13,600	14.00	11.50	600	7365332
	CAPT3131*4A*	A*EH800603B*A*	18,000	13,700	14.00	11.50	650	6944836
	CAPT3131*4A*	GME950403BXA*	18,000	13,700	14.00	11.50	575	5948626
	CAPT3131*4A*	A*EC960603BNA*	17,400	13,300	14.00	11.50	550	7365342
	CAPT3131*4A*	G*EC960603BNA*	17,400	13,300	14.00	11.50	550	7365236
	CAPT3131*4A*	G*VC950714CXB*	18,000	13,700	14.00	11.50	650	5948620
	CAPT3131*4A*	G*E80603B*B*	18,000	13,700	14.00	11.50	650	5948612
	CAPT3131*4A*	G*VC960803BNA*	18,000	13,700	14.00	11.50	630	7353541
	CAPT3131*4A*	G*VC950453BXB*	18,000	13,700	14.00	11.50	650	5948616
	CAPT3131*4A*	A*VM970803BNA*	18,000	13,700	14.00	11.50	630	7353538
	CAPT3131*4A*	A*VC950704CXB*	18,000	13,700	14.00	11.50	660	5948602
	CAPT3131*4A*+EEP		17,400	13,300	13.00	11.00	650	5611304
	CAPT3131*4A*+MBVC1200**-1A*		17,400	13,300	14.00	11.50	650	5611305
	CHPF1824A6C*+EEP		17,800	13,600	13.00	11.00	650	5039752
	CHPF2430B6C*	G*VC960403BNA*	18,000	13,700	14.00	11.50	625	7353549
	CHPF2430B6C*	A*VC80604B*B*	17,700	13,500	14.00	11.50	660	5039796
	CHPF2430B6C*	G*VC960803BNA*	18,000	13,700	14.00	11.50	630	7353551
	CHPF2430B6C*	G*E80603B*B*	18,000	13,700	14.00	11.50	640	5039754
	CHPF2430B6C*	G*VC960603BNA*	18,000	13,700	14.00	11.50	600	7353550
	CHPF2430B6C*	G*EC960402BNA*	17,800	13,600	14.00	11.50	600	7365232
	CHPF2430B6C*	G*EC960803BNA*	17,800	13,600	14.00	11.50	575	7365242
	CHPF2430B6C*	A*EC960803BNA*	17,800	13,600	14.00	11.50	575	7365348
	CHPF2430B6C*	G*VM960603BXB*	18,200	13,900	14.00	11.50	675	5620946
	CHPF2430B6C*	A*VC960603BNA*	18,000	13,700	14.00	11.50	600	7353545
	CHPF2430B6C*	A*EC960603BNA*	17,400	13,300	14.00	11.50	550	7365343
	CHPF2430B6C*	A*VC950453BXB*	18,400	14,000	14.00	11.60	600	6497532
	CHPF2430B6C*	A*VM970803BNA*	18,000	13,700	14.00	11.50	630	7353548
	CHPF2430B6C*	G*EC960603BNA*	17,400	13,300	14.00	11.50	550	7365237
	CHPF2430B6C*	G*VM970803BNA*	18,000	13,700	14.00	11.50	630	7353553
	CHPF2430B6C*	A*EH800603B*A*	18,000	13,700	14.00	11.50	640	6944845
	CHPF2430B6C*	GME950403BXA*	18,400	14,000	14.00	11.60	600	6497534
	CHPF2430B6C*	A*VM970603BNA*	18,000	13,700	14.00	11.50	600	7353547
	CHPF2430B6C*	A*VC960403BNA*	18,000	13,700	14.00	11.50	625	7353544
	CHPF2430B6C*	G*VC950453BXB*	18,200	13,900	14.00	11.50	650	5620942
	CHPF2430B6C*	G*EC960302BNA*	17,800	13,600	14.00	11.50	600	7365227
	CHPF2430B6C*	A*EC960402BNA*	17,800	13,600	14.00	11.50	600	7365338
	CHPF2430B6C*	A*VM960603BXB*	18,400	14,000	14.00	11.60	600	6497533
	CHPF2430B6C*	A*EC960302BNA*	17,800	13,600	14.00	11.50	600	7365333
	CHPF2430B6C*	G*VM970603BNA*	18,000	13,700	14.00	11.50	600	7353552
	CHPF2430B6C*	AMEH960403BXA*	18,400	14,000	14.00	11.60	600	6944848
	CHPF2430B6C*	G*VC80604B*B*	17,700	13,500	14.00	11.50	660	5039798
	CHPF2430B6C*	A*VC960803BNA*	18,000	13,700	14.00	11.50	630	7353546
	CHPF2430B6C*+EEP		17,800	13,600	13.00	11.00	650	5039758
	CHPF2430B6C*+MBVC1200**-1A*		18,200	13,900	14.00	11.50	650	5039759
	CHPF2430B6C*+TXV	G*EC960402BNA*	17,800	13,600	14.00	11.50	600	7365233
	CHPF2430B6C*+TXV	A*VM970803BNA*	18,000	13,700	14.00	11.50	630	7353558
	CHPF2430B6C*+TXV	A*EC960302BNA*	17,800	13,600	14.00	11.50	600	7365334
	CHPF2430B6C*+TXV	G*VC960403BNA*	18,000	13,700	14.00	11.50	625	7353559
	CHPF2430B6C*+TXV	G*VC960603BNA*	18,000	13,700	14.00	11.50	600	7353560
	CHPF2430B6C*+TXV	G*VM970803BNA*	18,000	13,700	14.00	11.50	630	7353563
	CHPF2430B6C*+TXV	G*EC960803BNA*	17,800	13,600	14.00	11.50	575	7365243
	CHPF2430B6C*+TXV	G*VM970603BNA*	18,000	13,700	14.00	11.50	600	7353562
	CHPF2430B6C*+TXV	A*VC960803BNA*	18,000	13,700	14.00	11.50	630	7353556

GSX13
0181E*
(cont.)

See Notes on Page 55.

OUTDOOR UNIT	INDOOR UNITS		COOLING RATINGS				CFM	AHRI #
	COILS/AIR HANDLERS	FURNACES	TOTAL ¹	SENS. ¹	SEER ²	EER ³		
GSX13 0181E* (cont.)	CHPF2430B6C*+TXV	A*EC960402BNA*	17,800	13,600	14.00	11.50	600	7365339
	CHPF2430B6C*+TXV	G*EC960603BNA*	17,400	13,300	14.00	11.50	550	7365238
	CHPF2430B6C*+TXV	G*EC960302BNA*	17,800	13,600	14.00	11.50	600	7365228
	CHPF2430B6C*+TXV	A*VC960603BNA*	18,000	13,700	14.00	11.50	600	7353555
	CHPF2430B6C*+TXV	A*VC960403BNA*	18,000	13,700	14.00	11.50	625	7353554
	CHPF2430B6C*+TXV	A*VM970603BNA*	18,000	13,700	14.00	11.50	600	7353557
	CHPF2430B6C*+TXV	G*VC960803BNA*	18,000	13,700	14.00	11.50	630	7353561
	CHPF2430B6C*+TXV	A*EC960803BNA*	17,800	13,600	14.00	11.50	575	7365349
	CHPF2430B6C*+TXV	A*EC960603BNA*	17,400	13,300	14.00	11.50	550	7365344
	CHPF3636B6C*	G*VC960603BNA*	18,200	13,900	14.00	11.50	600	7353570
	CHPF3636B6C*	G*VC960803BNA*	18,200	13,900	14.00	11.50	630	7353571
	CHPF3636B6C*	A*VC960603BNA*	18,200	13,900	14.00	11.50	600	7353565
	CHPF3636B6C*	A*VM970603BNA*	18,200	13,900	14.00	11.50	600	7353567
	CHPF3636B6C*	G*VM970803BNA*	18,200	13,900	14.00	11.50	630	7353573
	CHPF3636B6C*	A*VM970803BNA*	18,200	13,900	14.00	11.50	630	7353568
	CHPF3636B6C*	G*VM970603BNA*	18,200	13,900	14.00	11.50	600	7353572
	CHPF3636B6C*	A*VC960803BNA*	18,200	13,900	14.00	11.50	630	7353566
	CHPF3636B6C*	A*VC960403BNA*	18,200	13,900	14.00	11.50	625	7353564
	CHPF3636B6C*	G*VC960403BNA*	18,200	13,900	14.00	11.50	625	7353569
	CHPF3636B6C*+TXV	G*VC960403BNA*	18,200	13,900	14.00	11.50	625	7353579
	CHPF3636B6C*+TXV	G*VC960603BNA*	18,200	13,900	14.00	11.50	600	7353580
	CHPF3636B6C*+TXV	A*VM970603BNA*	18,200	13,900	14.00	11.50	600	7353577
	CHPF3636B6C*+TXV	A*VM970803BNA*	18,200	13,900	14.00	11.50	630	7353578
	CHPF3636B6C*+TXV	G*VM970803BNA*	18,200	13,900	14.00	11.50	630	7353583
	CHPF3636B6C*+TXV	A*VC960803BNA*	18,200	13,900	14.00	11.50	630	7353576
	CHPF3636B6C*+TXV	A*VC960403BNA*	18,200	13,900	14.00	11.50	625	7353574
	CHPF3636B6C*+TXV	A*VC960603BNA*	18,200	13,900	14.00	11.50	600	7353575
	CHPF3636B6C*+TXV	G*VM970603BNA*	18,200	13,900	14.00	11.50	600	7353582
	CHPF3636B6C*+TXV	G*VC960803BNA*	18,200	13,900	14.00	11.50	630	7353581
	CSCF1824N6D*	G*VM970603BNA*	18,000	13,700	14.00	11.50	600	7353592
	CSCF1824N6D*	G*VC80604B*B*	17,700	13,500	14.00	11.50	660	5039801
	CSCF1824N6D*	G*VC960403BNA*	18,000	13,700	14.00	11.50	625	7353589
	CSCF1824N6D*	G*VC950453BXB*	18,200	13,900	14.00	11.50	650	5620943
	CSCF1824N6D*	A*VM970603BNA*	18,000	13,700	14.00	11.50	600	7353587
	CSCF1824N6D*	G*VM970803BNA*	18,000	13,700	14.00	11.50	630	7353593
	CSCF1824N6D*	A*VC960603BNA*	18,000	13,700	14.00	11.50	600	7353585
	CSCF1824N6D*	A*VC80604B*B*	17,700	13,500	14.00	11.50	660	5039800
	CSCF1824N6D*	A*VC960803BNA*	18,000	13,700	14.00	11.50	630	7353586
	CSCF1824N6D*	G*VC960603BNA*	18,000	13,700	14.00	11.50	600	7353590
	CSCF1824N6D*	A*VC950453BXB*	18,000	13,700	14.00	11.60	650	6497535
	CSCF1824N6D*	G*VC960803BNA*	18,000	13,700	14.00	11.50	630	7353591
	CSCF1824N6D*	G*VM960603BXB*	18,200	13,900	14.00	11.50	670	5620947
	CSCF1824N6D*	A*EH800603B*A*	18,000	13,700	14.00	11.50	640	6944850
	CSCF1824N6D*	A*VC960403BNA*	18,000	13,700	14.00	11.50	625	7353584
	CSCF1824N6D*	G*E80603B*B*	18,000	13,700	14.00	11.50	640	5039760
CSCF1824N6D*	A*VM970803BNA*	18,000	13,700	14.00	11.50	630	7353588	
CSCF1824N6D*+EEP		17,800	13,600	13.00	11.00	650	5039763	
CSCF1824N6D*+TXV	G*VC960803BNA*	18,000	13,700	14.00	11.50	630	7354992	
CSCF1824N6D*+TXV	A*VM970603BNA*	18,000	13,700	14.00	11.50	600	7354988	
CSCF1824N6D*+TXV	G*VM970603BNA*	18,000	13,700	14.00	11.50	600	7354993	
CSCF1824N6D*+TXV	A*VC960603BNA*	18,000	13,700	14.00	11.50	600	7354986	
CSCF1824N6D*+TXV	A*VC960403BNA*	18,000	13,700	14.00	11.50	625	7354985	
CSCF1824N6D*+TXV	A*VC960803BNA*	18,000	13,700	14.00	11.50	630	7354987	
CSCF1824N6D*+TXV	G*VC960603BNA*	18,000	13,700	14.00	11.50	600	7354991	
CSCF1824N6D*+TXV	A*VM970803BNA*	18,000	13,700	14.00	11.50	630	7354989	
CSCF1824N6D*+TXV	G*VM970803BNA*	18,000	13,700	14.00	11.50	630	7354994	

See Notes on Page 55.

OUTDOOR UNIT	INDOOR UNITS		COOLING RATINGS				CFM	AHRI #
	COILS/AIR HANDLERS	FURNACES	TOTAL ¹	SENS. ¹	SEER ²	EER ³		
GSX13 0181E* (cont.)	CSCF1824N6D*+TXV	G*VC960403BNA*	18,000	13,700	14.00	11.50	625	7354990
	CSCF3036N6D*	G*VM970603BNA*	18,200	13,900	14.00	11.50	600	7353602
	CSCF3036N6D*	A*VC960403BNA*	18,200	13,900	14.00	11.50	625	7353594
	CSCF3036N6D*	G*VC960403BNA*	18,200	13,900	14.00	11.50	625	7353599
	CSCF3036N6D*	A*VM970803BNA*	18,200	13,900	14.00	11.50	630	7353598
	CSCF3036N6D*	A*VC960603BNA*	18,200	13,900	14.00	11.50	600	7353595
	CSCF3036N6D*	A*VM970603BNA*	18,200	13,900	14.00	11.50	600	7353597
	CSCF3036N6D*	A*VC960803BNA*	18,200	13,900	14.00	11.50	630	7353596
	CSCF3036N6D*	G*VC960803BNA*	18,200	13,900	14.00	11.50	630	7353601
	CSCF3036N6D*	G*VC960603BNA*	18,200	13,900	14.00	11.50	600	7353600
	CSCF3036N6D*	G*VM970803BNA*	18,200	13,900	14.00	11.50	630	7353603
	CSCF3036N6D*+TXV	G*VC960403BNA*	18,200	13,900	14.00	11.50	625	7353609
	CSCF3036N6D*+TXV	A*VC960403BNA*	18,200	13,900	14.00	11.50	625	7353604
	CSCF3036N6D*+TXV	A*VC960603BNA*	18,200	13,900	14.00	11.50	600	7353605
	CSCF3036N6D*+TXV	G*VM970803BNA*	18,200	13,900	14.00	11.50	630	7353613
	CSCF3036N6D*+TXV	A*VC960803BNA*	18,200	13,900	14.00	11.50	630	7353606
	CSCF3036N6D*+TXV	A*VM970603BNA*	18,200	13,900	14.00	11.50	600	7353607
	CSCF3036N6D*+TXV	A*VM970803BNA*	18,200	13,900	14.00	11.50	630	7353608
	CSCF3036N6D*+TXV	G*VC960803BNA*	18,200	13,900	14.00	11.50	630	7353611
	CSCF3036N6D*+TXV	G*VC960603BNA*	18,200	13,900	14.00	11.50	600	7353610
CSCF3036N6D*+TXV	G*VM970603BNA*	18,200	13,900	14.00	11.50	600	7353612	
GSX13 0241D*	ACNF24XX16D*		22,400	16,500	13.00	11.00	770	4699979
	ACNF30XX16D*		22,600	16,600	13.00	11.00	845	5624657
	ARPT24B14A*		22,400	16,500	13.00	11.00	800	5360108
	ARUF24B14C*		22,000	16,200	13.00	11.00	800	7084830
	ARUF24B14C*+TXV		22,000	16,200	13.00	11.00	800	7084831
	ASPT24B14A*		23,000	16,900	13.80	11.80	810	5722527
	ASPT30C14A*		23,400	17,200	14.00	12.00	845	5722528
	ASUF29B14A*		23,000	16,900	13.50	11.50	810	5722526
	ASUF29B14A*+TXV		23,000	16,900	13.80	11.80	810	5722565
	AVPTC24B14A*		22,600	16,600	14.00	12.00	800	5924453
	AVPTC30C14A*		23,400	17,200	14.00	12.00	780	5924454
	AWUF24XX16B*		23,000	16,900	13.00	11.00	800	4699990
	AWUF30XX16B*		23,200	17,100	13.00	11.00	800	4699991
	AWUF31XX16A*		23,000	16,900	14.00	11.30	800	4699992
	AWUF32XX16A*		23,000	16,900	14.00	11.30	800	4699993
	CA*F1824*6D*	A*VC950704CXB*	23,000	16,900	14.00	11.60	800	6497538
	CA*F1824*6D*	A*VC960403BNA*	23,000	16,900	14.00	11.50	805	7353614
	CA*F1824*6D*	A*VM970603BNA*	23,000	16,900	14.00	11.50	815	7353618
	CA*F1824*6D*	G*E80603B*B*	23,000	16,900	14.00	11.50	860	5038902
	CA*F1824*6D*	A*EC960402BNA*	23,000	16,900	14.00	11.50	775	7365355
	CA*F1824*6D*	G*VC950453BXB*	23,000	16,900	14.00	11.50	800	5620948
	CA*F1824*6D*	G*VM970804CNA*	23,000	16,900	14.00	11.50	800	7353627
	CA*F1824*6D*	A*VC960804CNA*	23,000	16,900	14.00	11.50	800	7353617
	CA*F1824*6D*	A*VM960603BXB*	23,000	16,900	14.00	11.60	800	6497539
	CA*F1824*6D*	AMEH960603BXA*	22,800	16,800	13.80	11.50	800	6944858
	CA*F1824*6D*	G*VC950704CXB*	23,000	16,900	14.00	11.50	800	5620950
	CA*F1824*6D*	A*EC960302BNA*	23,000	16,900	14.00	11.50	800	7365350
	CA*F1824*6D*	A*VC80604B*B*	23,000	16,900	14.00	11.60	820	6497536
	CA*F1824*6D*	A*VC960603BNA*	23,000	16,900	14.00	11.50	815	7353615
	CA*F1824*6D*	A*VC950453BXB*	23,000	16,900	14.00	11.60	800	6497537
	CA*F1824*6D*	A*EC960603BNA*	23,000	16,900	14.00	11.50	775	7365360
	CA*F1824*6D*	G*EC960803BNA*	23,000	16,900	14.00	11.50	775	7365259
CA*F1824*6D*	A*VM970803BNA*	23,000	16,900	14.00	11.50	810	7353619	
CA*F1824*6D*	G*VC960803BNA*	23,000	16,900	14.00	11.50	810	7353623	
CA*F1824*6D*	GME950403BXA*	23,000	16,900	14.00	11.60	800	6497541	

See Notes on Page 55.

OUTDOOR UNIT	INDOOR UNITS		COOLING RATINGS				CFM	AHRI #
	COILS/AIR HANDLERS	FURNACES	TOTAL ¹	SENS. ¹	SEER ²	EER ³		
GSX13 0241D* (cont.)	CA*F1824*6D*	A*EC960803BNA*	23,000	16,900	14.00	11.50	775	7365367
	CA*F1824*6D*	G*EC960402BNA*	23,000	16,900	14.00	11.50	775	7365249
	CA*F1824*6D*	A*VM970804CNA*	23,000	16,900	14.00	11.50	800	7353620
	CA*F1824*6D*	G*VC960804CNA*	23,000	16,900	14.00	11.50	800	7353624
	CA*F1824*6D*	G*VC960603BNA*	23,000	16,900	14.00	11.50	815	7353622
	CA*F1824*6D*	G*VM970803BNA*	23,000	16,900	14.00	11.50	810	7353626
	CA*F1824*6D*	A*VC960803BNA*	23,000	16,900	14.00	11.50	810	7353616
	CA*F1824*6D*	A*EH800603B*A*	23,000	16,900	14.00	11.50	860	6944853
	CA*F1824*6D*	G*VM960603BXB*	23,000	16,900	14.00	11.50	800	5620951
	CA*F1824*6D*	GME950603BXA*	22,800	16,800	13.80	11.50	800	6497542
	CA*F1824*6D*	AMEH960403BXA*	23,000	16,900	14.00	11.60	800	6944856
	CA*F1824*6D*	G*VM970603BNA*	23,000	16,900	14.00	11.50	815	7353625
	CA*F1824*6D*	G*VC960403BNA*	23,000	16,900	14.00	11.50	805	7353621
	CA*F1824*6D*	G*EC960603BNA*	23,000	16,900	14.00	11.50	775	7365254
	CA*F1824*6D*	G*VC80604B*B*	23,000	16,900	14.00	11.60	820	6497540
	CA*F1824*6D*	G*EC960302BNA*	23,000	16,900	14.00	11.50	800	7365244
	CA*F1824*6D*+EEP		23,000	16,900	13.00	11.00	800	4700003
	CA*F1824*6D*+MBVC1200**-1A*		23,000	16,900	14.00	11.50	800	4700004
	CA*F1824*6D*+TXV	G*VM970603BNA*	23,000	16,900	14.00	11.50	815	7353639
	CA*F1824*6D*+TXV	G*VC960803BNA*	23,000	16,900	14.00	11.50	810	7353637
	CA*F1824*6D*+TXV	A*EC960402BNA*	23,000	16,900	14.00	11.50	775	7365356
	CA*F1824*6D*+TXV	A*VC960403BNA*	23,000	16,900	14.00	11.50	805	7353628
	CA*F1824*6D*+TXV	G*EC960302BNA*	23,000	16,900	14.00	11.50	800	7365245
	CA*F1824*6D*+TXV	G*VC960603BNA*	23,000	16,900	14.00	11.50	815	7353636
	CA*F1824*6D*+TXV	A*VC960804CNA*	23,000	16,900	14.00	11.50	800	7353631
	CA*F1824*6D*+TXV	A*VM970804CNA*	23,000	16,900	14.00	11.50	800	7353634
	CA*F1824*6D*+TXV	A*VM970803BNA*	23,000	16,900	14.00	11.50	810	7353633
	CA*F1824*6D*+TXV	A*EC960603BNA*	23,000	16,900	14.00	11.50	775	7365361
	CA*F1824*6D*+TXV	A*VC960803BNA*	23,000	16,900	14.00	11.50	810	7353630
	CA*F1824*6D*+TXV	G*EC960603BNA*	23,000	16,900	14.00	11.50	775	7365255
	CA*F1824*6D*+TXV	G*VM970804CNA*	23,000	16,900	14.00	11.50	800	7353641
	CA*F1824*6D*+TXV	G*EC960803BNA*	23,000	16,900	14.00	11.50	775	7365260
	CA*F1824*6D*+TXV	A*EC960803BNA*	23,000	16,900	14.00	11.50	775	7365368
	CA*F1824*6D*+TXV	G*VC960403BNA*	23,000	16,900	14.00	11.50	805	7353635
	CA*F1824*6D*+TXV	G*VC960804CNA*	23,000	16,900	14.00	11.50	800	7353638
	CA*F1824*6D*+TXV	A*EC960302BNA*	23,000	16,900	14.00	11.50	800	7365351
	CA*F1824*6D*+TXV	A*VM970603BNA*	23,000	16,900	14.00	11.50	815	7353632
	CA*F1824*6D*+TXV	G*VM970803BNA*	23,000	16,900	14.00	11.50	810	7353640
	CA*F1824*6D*+TXV	A*VC960603BNA*	23,000	16,900	14.00	11.50	815	7353629
	CA*F1824*6D*+TXV	G*EC960402BNA*	23,000	16,900	14.00	11.50	775	7365250
	CA*F3030*6D*+EEP		23,000	16,900	13.00	11.00	800	5561907
	CA*F3030*6D*+EEP+TXV		23,000	16,900	13.00	11.00	800	5581978
	CA*F3131*6D*+EEP		23,000	16,900	13.00	11.00	800	5561908
	CA*F3131*6D*+EEP+TXV		23,000	16,900	13.00	11.00	800	5561909
	CA*F3636*6D*	A*VC960403BNA*	23,600	17,300	14.00	11.50	805	7353642
	CA*F3636*6D*	G*VC960603BNA*	23,600	17,300	14.00	11.50	815	7353648
	CA*F3636*6D*	A*VC960803BNA*	23,600	17,300	14.00	11.50	810	7353644
	CA*F3636*6D*	G*VM970603BNA*	23,600	17,300	14.00	11.50	815	7353650
	CA*F3636*6D*	G*VC960803BNA*	23,600	17,300	14.00	11.50	810	7353649
	CA*F3636*6D*	A*VM970603BNA*	23,600	17,300	14.00	11.50	815	7353645
CA*F3636*6D*	G*VC960403BNA*	23,600	17,300	14.00	11.50	805	7353647	
CA*F3636*6D*	G*VM970803BNA*	23,600	17,300	14.00	11.50	810	7353651	
CA*F3636*6D*	A*VM970803BNA*	23,600	17,300	14.00	11.50	810	7353646	
CA*F3636*6D*	A*VC960603BNA*	23,600	17,300	14.00	11.50	815	7353643	
CA*F3636*6D*+EEP		23,000	16,900	13.00	11.00	800	5561910	
CA*F3636*6D*+EEP+TXV		23,000	16,900	13.00	11.00	800	5561911	

See Notes on Page 55.

OUTDOOR UNIT	INDOOR UNITS		COOLING RATINGS				CFM	AHRI #
	COILS/AIR HANDLERS	FURNACES	TOTAL ¹	SENS. ¹	SEER ²	EER ³		
GSX13 0241D* (cont.)	CA*F3636*6D*+TXV	A*VC960603BNA*	23,600	17,300	14.00	11.50	815	7353653
	CA*F3636*6D*+TXV	G*VC960403BNA*	23,600	17,300	14.00	11.50	805	7353657
	CA*F3636*6D*+TXV	A*VM970803BNA*	23,600	17,300	14.00	11.50	810	7353656
	CA*F3636*6D*+TXV	A*VM970603BNA*	23,600	17,300	14.00	11.50	815	7353655
	CA*F3636*6D*+TXV	G*VC960803BNA*	23,600	17,300	14.00	11.50	810	7353659
	CA*F3636*6D*+TXV	G*VM970803BNA*	23,600	17,300	14.00	11.50	810	7353661
	CA*F3636*6D*+TXV	G*VM970603BNA*	23,600	17,300	14.00	11.50	815	7353660
	CA*F3636*6D*+TXV	A*VC960403BNA*	23,600	17,300	14.00	11.50	805	7353652
	CA*F3636*6D*+TXV	G*VC960603BNA*	23,600	17,300	14.00	11.50	815	7353658
	CA*F3636*6D*+TXV	A*VC960803BNA*	23,600	17,300	14.00	11.50	810	7353654
	CA*F3743*6D*	A*VC960804CNA*	23,600	17,300	14.00	11.50	800	7353662
	CA*F3743*6D*	G*VM970804CNA*	23,600	17,300	14.00	11.50	800	7353665
	CA*F3743*6D*	A*VM970804CNA*	23,600	17,300	14.00	11.50	800	7353663
	CA*F3743*6D*	G*VC960804CNA*	23,600	17,300	14.00	11.50	800	7353664
	CA*F3743*6D*+TXV	A*VC960804CNA*	23,600	17,300	14.00	11.50	800	7353666
	CA*F3743*6D*+TXV	A*VM970804CNA*	23,600	17,300	14.00	11.50	800	7353667
	CA*F3743*6D*+TXV	G*VM970804CNA*	23,600	17,300	14.00	11.50	800	7353669
	CA*F3743*6D*+TXV	G*VC960804CNA*	23,600	17,300	14.00	11.50	800	7353668
	CAPT3131*4A*	G*EC960803BNA*	23,000	16,900	14.00	11.50	775	7365261
	CAPT3131*4A*	AMEH960403BXA*	23,000	16,900	14.00	11.50	800	6944863
	CAPT3131*4A*	G*VC960804CNA*	23,000	16,900	14.00	11.50	800	7353680
	CAPT3131*4A*	A*VC80604B*B*	23,000	16,900	14.00	11.50	830	5948630
	CAPT3131*4A*	G*VM960604CXB*	23,000	16,900	14.00	11.50	800	5948656
	CAPT3131*4A*	G*VC960403BNA*	23,000	16,900	14.00	11.50	805	7353677
	CAPT3131*4A*	G*EC960302BNA*	23,000	16,900	14.00	11.50	800	7365246
	CAPT3131*4A*	G*VC960803BNA*	23,000	16,900	14.00	11.50	810	7353679
	CAPT3131*4A*	A*VC950704CXB*	23,000	16,900	14.00	11.50	800	5948634
	CAPT3131*4A*	A*VM970804CNA*	23,000	16,900	14.00	11.50	800	7353676
	CAPT3131*4A*	G*VM960603BXB*	23,000	16,900	14.00	11.50	820	5948654
	CAPT3131*4A*	G*VC80604B*B*	23,000	16,900	14.00	11.50	830	5948646
	CAPT3131*4A*	A*VC960803BNA*	23,000	16,900	14.00	11.50	810	7353672
	CAPT3131*4A*	A*EC960803BNA*	23,000	16,900	14.00	11.50	775	7365369
	CAPT3131*4A*	G*EC960603BNA*	23,000	16,900	14.00	11.50	775	7365256
	CAPT3131*4A*	A*VC960603BNA*	23,000	16,900	14.00	11.50	815	7353671
	CAPT3131*4A*	A*VC960403BNA*	23,000	16,900	14.00	11.50	805	7353670
	CAPT3131*4A*	A*VM960604CXB*	23,000	16,900	14.00	11.50	800	5948640
	CAPT3131*4A*	G*VC950714CXB*	23,000	16,900	14.00	11.50	800	5948652
	CAPT3131*4A*	A*VM970803BNA*	23,000	16,900	14.00	11.50	810	7353675
	CAPT3131*4A*	G*E80603B*B*	23,000	16,900	14.00	11.50	800	5948644
	CAPT3131*4A*	A*EC960603BNA*	23,000	16,900	14.00	11.50	775	7365362
	CAPT3131*4A*	A*VM960603BXB*	23,000	16,900	14.00	11.50	820	5948638
	CAPT3131*4A*	G*VC950704CXB*	23,000	16,900	14.00	11.50	800	5948650
	CAPT3131*4A*	G*VM970804CNA*	23,000	16,900	14.00	11.50	800	7353683
	CAPT3131*4A*	GME950603BXA*	23,000	16,900	14.00	11.50	800	5948660
	CAPT3131*4A*	A*VC960804CNA*	23,000	16,900	14.00	11.50	800	7353673
	CAPT3131*4A*	AMEH960603BXA*	23,000	16,900	14.00	11.50	800	6944866
	CAPT3131*4A*	GME950403BXA*	23,000	16,900	14.00	11.50	800	5948658
	CAPT3131*4A*	A*EC960302BNA*	23,000	16,900	14.00	11.50	800	7365352
	CAPT3131*4A*	A*EH800603B*A*	23,000	16,900	14.00	11.50	800	6944860
	CAPT3131*4A*	G*EC960402BNA*	23,000	16,900	14.00	11.50	775	7365251
CAPT3131*4A*	G*VC950453BXB*	23,000	16,900	14.00	11.50	800	5948648	
CAPT3131*4A*	ADVC80603B*B*	23,000	16,900	14.00	11.50	800	5948642	
CAPT3131*4A*	A*VC950453BXB*	23,000	16,900	14.00	11.50	800	5948632	
CAPT3131*4A*	G*VM970603BNA*	23,000	16,900	14.00	11.50	815	7353681	
CAPT3131*4A*	G*VC960603BNA*	23,000	16,900	14.00	11.50	815	7353678	
CAPT3131*4A*	A*EC960402BNA*	23,000	16,900	14.00	11.50	775	7365357	

See Notes on Page 55.

OUTDOOR UNIT	INDOOR UNITS		COOLING RATINGS				CFM	AHRI #
	COILS/AIR HANDLERS	FURNACES	TOTAL ¹	SENS. ¹	SEER ²	EER ³		
GSX13 0241D* (cont.)	CAPT3131*4A*	A*VC950714CXB*	23,000	16,900	14.00	11.50	800	5948636
	CAPT3131*4A*	A*VM970603BNA*	23,000	16,900	14.00	11.50	815	7353674
	CAPT3131*4A*	G*VM970803BNA*	23,000	16,900	14.00	11.50	810	7353682
	CAPT3131*4A*+EEP		22,800	16,800	13.00	11.00	800	5611334
	CAPT3131*4A*+MBVC1200**-1A*		22,800	16,800	14.00	11.50	800	5611335
	CAPT3743*4A*	G*VC960804CNA*	23,600	17,300	14.00	11.50	800	7353686
	CAPT3743*4A*	G*VM970804CNA*	23,600	17,300	14.00	11.50	800	7353687
	CAPT3743*4A*	A*VC960804CNA*	23,600	17,300	14.00	11.50	800	7353684
	CAPT3743*4A*	A*VM970804CNA*	23,600	17,300	14.00	11.50	800	7353685
	CHPF1824A6C*+EEP		23,000	16,900	13.00	11.00	800	4700005
	CHPF2430B6C*	A*EC960803BNA*	23,000	16,900	14.00	11.50	775	7365370
	CHPF2430B6C*	G*VC960403BNA*	23,200	17,100	14.00	11.50	805	7353693
	CHPF2430B6C*	A*VM970803BNA*	23,200	17,100	14.00	11.50	810	7353692
	CHPF2430B6C*	G*EC960402BNA*	23,000	16,900	14.00	11.50	775	7365252
	CHPF2430B6C*	G*VM970803BNA*	23,200	17,100	14.00	11.50	810	7353697
	CHPF2430B6C*	A*VC950453BXB*	23,400	17,200	14.00	11.60	800	6497543
	CHPF2430B6C*	G*VC960603BNA*	23,200	17,100	14.00	11.50	815	7353694
	CHPF2430B6C*	A*VM960603BXB*	23,400	17,200	14.00	11.60	800	6497544
	CHPF2430B6C*	A*EC960402BNA*	23,000	16,900	14.00	11.50	775	7365358
	CHPF2430B6C*	G*VM970603BNA*	23,200	17,100	14.00	11.50	815	7353696
	CHPF2430B6C*	A*EC960302BNA*	23,000	16,900	14.00	11.50	800	7365353
	CHPF2430B6C*	A*VM970603BNA*	23,200	17,100	14.00	11.50	815	7353691
	CHPF2430B6C*	A*EC960603BNA*	23,000	16,900	14.00	11.50	775	7365363
	CHPF2430B6C*	AMEH960403BXA*	23,400	17,200	14.00	11.60	800	6944872
	CHPF2430B6C*	G*E80603B*B*	23,000	16,900	14.00	11.50	860	5039075
	CHPF2430B6C*	A*EH800603B*A*	23,000	16,900	14.00	11.50	860	6944869
	CHPF2430B6C*	G*EC960302BNA*	23,000	16,900	14.00	11.50	800	7365247
	CHPF2430B6C*	G*EC960803BNA*	23,000	16,900	14.00	11.50	775	7365262
	CHPF2430B6C*	G*EC960603BNA*	23,000	16,900	14.00	11.50	775	7365257
	CHPF2430B6C*	G*VM960603BXB*	23,400	17,200	14.00	11.50	800	5620952
	CHPF2430B6C*	A*VC960403BNA*	23,200	17,100	14.00	11.50	805	7353688
	CHPF2430B6C*	GME950403BXA*	23,400	17,200	14.00	11.60	800	6497545
	CHPF2430B6C*	A*VC960603BNA*	23,200	17,100	14.00	11.50	815	7353689
	CHPF2430B6C*	G*VC960803BNA*	23,200	17,100	14.00	11.50	810	7353695
	CHPF2430B6C*	A*VC960803BNA*	23,200	17,100	14.00	11.50	810	7353690
	CHPF2430B6C*	G*VC950453BXB*	23,400	17,200	14.00	11.50	800	5620949
	CHPF2430B6C*+EEP		23,000	16,900	13.00	11.00	800	4700009
	CHPF2430B6C*+MBVC1200**-1A*		23,400	17,200	14.00	11.50	800	4700010
	CHPF2430B6C*+TXV	G*VM970603BNA*	23,200	17,100	14.00	11.50	815	7353706
	CHPF2430B6C*+TXV	A*EC960803BNA*	23,000	16,900	14.00	11.50	775	7365371
	CHPF2430B6C*+TXV	A*VC960403BNA*	23,200	17,100	14.00	11.50	805	7353698
	CHPF2430B6C*+TXV	A*VM970803BNA*	23,200	17,100	14.00	11.50	810	7353702
CHPF2430B6C*+TXV	A*EC960402BNA*	23,000	16,900	14.00	11.50	775	7365359	
CHPF2430B6C*+TXV	A*VC960803BNA*	23,200	17,100	14.00	11.50	810	7353700	
CHPF2430B6C*+TXV	G*EC960302BNA*	23,000	16,900	14.00	11.50	800	7365248	
CHPF2430B6C*+TXV	A*VC960603BNA*	23,200	17,100	14.00	11.50	815	7353699	
CHPF2430B6C*+TXV	G*EC960402BNA*	23,000	16,900	14.00	11.50	775	7365253	
CHPF2430B6C*+TXV	A*VM970603BNA*	23,200	17,100	14.00	11.50	815	7353701	
CHPF2430B6C*+TXV	G*EC960803BNA*	23,000	16,900	14.00	11.50	775	7365263	
CHPF2430B6C*+TXV	G*VC960403BNA*	23,200	17,100	14.00	11.50	805	7353703	
CHPF2430B6C*+TXV	G*VM970803BNA*	23,200	17,100	14.00	11.50	810	7353707	
CHPF2430B6C*+TXV	G*VC960803BNA*	23,200	17,100	14.00	11.50	810	7353705	
CHPF2430B6C*+TXV	A*EC960302BNA*	23,000	16,900	14.00	11.50	800	7365354	
CHPF2430B6C*+TXV	G*VC960603BNA*	23,200	17,100	14.00	11.50	815	7353704	
CHPF2430B6C*+TXV	A*EC960603BNA*	23,000	16,900	14.00	11.50	775	7365365	
CHPF2430B6C*+TXV	G*EC960603BNA*	23,000	16,900	14.00	11.50	775	7365258	

See Notes on Page 55.

OUTDOOR UNIT	INDOOR UNITS		COOLING RATINGS				CFM	AHRI #
	COILS/AIR HANDLERS	FURNACES	TOTAL ¹	SENS. ¹	SEER ²	EER ³		
GSX13 0241D* (cont.)	CHPF3636B6C*	G*VC960403BNA*	23,400	17,200	14.00	11.50	805	7353713
	CHPF3636B6C*	G*VC960803BNA*	23,400	17,200	14.00	11.50	810	7353715
	CHPF3636B6C*	A*VC960803BNA*	23,400	17,200	14.00	11.50	810	7353710
	CHPF3636B6C*	A*VM970803BNA*	23,400	17,200	14.00	11.50	810	7353712
	CHPF3636B6C*	A*VC960403BNA*	23,400	17,200	14.00	11.50	805	7353708
	CHPF3636B6C*	G*VM970803BNA*	23,400	17,200	14.00	11.50	810	7353717
	CHPF3636B6C*	A*VC960603BNA*	23,400	17,200	14.00	11.50	815	7353709
	CHPF3636B6C*	A*VM970603BNA*	23,400	17,200	14.00	11.50	815	7353711
	CHPF3636B6C*	G*VC960603BNA*	23,400	17,200	14.00	11.50	815	7353714
	CHPF3636B6C*	G*VM970603BNA*	23,400	17,200	14.00	11.50	815	7353716
	CHPF3636B6C*+TXV	A*VC960403BNA*	23,400	17,200	14.00	11.50	805	7353718
	CHPF3636B6C*+TXV	G*VC960403BNA*	23,400	17,200	14.00	11.50	805	7353723
	CHPF3636B6C*+TXV	G*VM970603BNA*	23,400	17,200	14.00	11.50	815	7353726
	CHPF3636B6C*+TXV	A*VC960603BNA*	23,400	17,200	14.00	11.50	815	7353719
	CHPF3636B6C*+TXV	G*VC960803BNA*	23,400	17,200	14.00	11.50	810	7353725
	CHPF3636B6C*+TXV	G*VM970803BNA*	23,400	17,200	14.00	11.50	810	7353727
	CHPF3636B6C*+TXV	A*VM970803BNA*	23,400	17,200	14.00	11.50	810	7353722
	CHPF3636B6C*+TXV	G*VC960603BNA*	23,400	17,200	14.00	11.50	815	7353724
	CHPF3636B6C*+TXV	A*VM970603BNA*	23,400	17,200	14.00	11.50	815	7353721
	CHPF3636B6C*+TXV	A*VC960803BNA*	23,400	17,200	14.00	11.50	810	7353720
	CHPF3642C6C*	G*VM970804CNA*	23,400	17,200	14.00	11.50	800	7353731
	CHPF3642C6C*	G*VC960804CNA*	23,400	17,200	14.00	11.50	800	7353730
	CHPF3642C6C*	A*VC960804CNA*	23,400	17,200	14.00	11.50	800	7353728
	CHPF3642C6C*	A*VM970804CNA*	23,400	17,200	14.00	11.50	800	7353729
	CHPF3642C6C*+TXV	A*VC960804CNA*	23,400	17,200	14.00	11.50	800	7353732
	CHPF3642C6C*+TXV	A*VM970804CNA*	23,400	17,200	14.00	11.50	800	7353733
	CHPF3642C6C*+TXV	G*VC960804CNA*	23,400	17,200	14.00	11.50	800	7353734
	CHPF3642C6C*+TXV	G*VM970804CNA*	23,400	17,200	14.00	11.50	800	7353735
	CSCF1824N6D*	A*VC960804CNA*	23,000	16,900	14.00	11.50	800	7353739
	CSCF1824N6D*	G*VM970804CNA*	23,000	16,900	14.00	11.50	800	7353749
	CSCF1824N6D*	A*VC950453BXB*	23,000	16,900	14.00	11.60	800	6497546
	CSCF1824N6D*	G*VC960403BNA*	23,000	16,900	14.00	11.50	805	7353743
	CSCF1824N6D*	A*VM970803BNA*	23,000	16,900	14.00	11.50	810	7353741
	CSCF1824N6D*	A*VM970603BNA*	23,000	16,900	14.00	11.50	815	7353740
	CSCF1824N6D*	G*VC960803BNA*	23,000	16,900	14.00	11.50	810	7353745
	CSCF1824N6D*	G*VC960603BNA*	23,000	16,900	14.00	11.50	815	7353744
	CSCF1824N6D*	A*VC960403BNA*	23,000	16,900	14.00	11.50	805	7353736
	CSCF1824N6D*	G*VC960804CNA*	23,000	16,900	14.00	11.50	800	7353746
	CSCF1824N6D*	A*VC960603BNA*	23,000	16,900	14.00	11.50	815	7353737
	CSCF1824N6D*	A*VM970804CNA*	23,000	16,900	14.00	11.50	800	7353742
	CSCF1824N6D*	G*VM970603BNA*	23,000	16,900	14.00	11.50	815	7353747
	CSCF1824N6D*	G*VM970803BNA*	23,000	16,900	14.00	11.50	810	7353748
	CSCF1824N6D*	A*VC960803BNA*	23,000	16,900	14.00	11.50	810	7353738
	CSCF1824N6D*+EEP		23,000	16,900	13.00	11.00	800	6497547
	CSCF1824N6D*+TXV	G*VM970603BNA*	23,000	16,900	14.00	11.50	815	7355006
	CSCF1824N6D*+TXV	A*VC960603BNA*	23,000	16,900	14.00	11.50	815	7354996
	CSCF1824N6D*+TXV	A*VC960804CNA*	23,000	16,900	14.00	11.50	800	7354998
	CSCF1824N6D*+TXV	G*VC960803BNA*	23,000	16,900	14.00	11.50	810	7355004
	CSCF1824N6D*+TXV	G*VM970804CNA*	23,000	16,900	14.00	11.50	800	7355008
	CSCF1824N6D*+TXV	G*VC960603BNA*	23,000	16,900	14.00	11.50	815	7355003
CSCF1824N6D*+TXV	A*VC960403BNA*	23,000	16,900	14.00	11.50	805	7354995	
CSCF1824N6D*+TXV	G*VC960804CNA*	23,000	16,900	14.00	11.50	800	7355005	
CSCF1824N6D*+TXV	A*VM970803BNA*	23,000	16,900	14.00	11.50	810	7355000	
CSCF1824N6D*+TXV	G*VM970803BNA*	23,000	16,900	14.00	11.50	810	7355007	
CSCF1824N6D*+TXV	A*VC960803BNA*	23,000	16,900	14.00	11.50	810	7354997	
CSCF1824N6D*+TXV	A*VM970804CNA*	23,000	16,900	14.00	11.50	800	7355001	

See Notes on Page 55.

OUTDOOR UNIT	INDOOR UNITS		COOLING RATINGS				CFM	AHRI #
	COILS/AIR HANDLERS	FURNACES	TOTAL ¹	SENS. ¹	SEER ²	EER ³		
GSX13 0241D* (cont.)	CSCF1824N6D*+TXV	G*VC960403BNA*	23,000	16,900	14.00	11.50	805	7355002
	CSCF1824N6D*+TXV	A*VM970603BNA*	23,000	16,900	14.00	11.50	815	7354999
	CSCF3036N6D*	G*VC960403BNA*	23,200	17,100	14.00	11.50	805	7353757
	CSCF3036N6D*	A*VM970603BNA*	23,200	17,100	14.00	11.50	815	7353754
	CSCF3036N6D*	A*VC960803BNA*	23,200	17,100	14.00	11.50	810	7353752
	CSCF3036N6D*	A*VC960603BNA*	23,200	17,100	14.00	11.50	815	7353751
	CSCF3036N6D*	G*VC960804CNA*	23,200	17,100	14.00	11.50	800	7353760
	CSCF3036N6D*	A*VM970804CNA*	23,200	17,100	14.00	11.50	800	7353756
	CSCF3036N6D*	G*VC960803BNA*	23,200	17,100	14.00	11.50	810	7353759
	CSCF3036N6D*	G*VC960603BNA*	23,200	17,100	14.00	11.50	815	7353758
	CSCF3036N6D*	G*VM970603BNA*	23,200	17,100	14.00	11.50	815	7353761
	CSCF3036N6D*	A*VM970803BNA*	23,200	17,100	14.00	11.50	810	7353755
	CSCF3036N6D*	A*VC960403BNA*	23,200	17,100	14.00	11.50	805	7353750
	CSCF3036N6D*	A*VC960804CNA*	23,200	17,100	14.00	11.50	800	7353753
	CSCF3036N6D*	G*VM970804CNA*	23,200	17,100	14.00	11.50	800	7353763
	CSCF3036N6D*	G*VM970803BNA*	23,200	17,100	14.00	11.50	810	7353762
	CSCF3036N6D*+TXV	G*VC960803BNA*	23,200	17,100	14.00	11.50	810	7353773
	CSCF3036N6D*+TXV	G*VM970603BNA*	23,200	17,100	14.00	11.50	815	7353775
	CSCF3036N6D*+TXV	G*VC960603BNA*	23,200	17,100	14.00	11.50	815	7353772
	CSCF3036N6D*+TXV	G*VC960403BNA*	23,200	17,100	14.00	11.50	805	7353771
	CSCF3036N6D*+TXV	A*VM970804CNA*	23,200	17,100	14.00	11.50	800	7353770
	CSCF3036N6D*+TXV	G*VM970804CNA*	23,200	17,100	14.00	11.50	800	7353777
	CSCF3036N6D*+TXV	A*VC960603BNA*	23,200	17,100	14.00	11.50	815	7353765
	CSCF3036N6D*+TXV	A*VC960804CNA*	23,200	17,100	14.00	11.50	800	7353767
	CSCF3036N6D*+TXV	G*VM970803BNA*	23,200	17,100	14.00	11.50	810	7353776
	CSCF3036N6D*+TXV	A*VC960803BNA*	23,200	17,100	14.00	11.50	810	7353766
	CSCF3036N6D*+TXV	A*VC960403BNA*	23,200	17,100	14.00	11.50	805	7353764
	CSCF3036N6D*+TXV	A*VM970803BNA*	23,200	17,100	14.00	11.50	810	7353769
CSCF3036N6D*+TXV	A*VM970603BNA*	23,200	17,100	14.00	11.50	815	7353768	
CSCF3036N6D*+TXV	G*VC960804CNA*	23,200	17,100	14.00	11.50	800	7353774	
GSX13 0301B*	ACNF30XX16D*		27,600	20,800	13.00	11.00	890	4689680
	ARPT30B14A*		27,000	20,400	13.00	11.00	900	5383473
	ARUF30B14A*		27,000	20,400	13.00	11.00	900	5383471
	ARUF30B14A*+TXV		27,000	20,400	13.00	11.00	900	5383474
	ARUF36C14B*		27,200	20,600	13.00	11.00	1,000	5647171
	ARUF36C14B*+TXV		27,200	20,600	13.50	11.50	1,000	5647172
	ASPT36C14A*		28,000	21,200	14.00	12.00	1,010	5722534
	ASUF29B14A*		26,000	19,600	13.30	11.30	975	5722732
	ASUF39C14A*		28,000	21,200	13.50	11.50	1,005	5722532
	ASUF39C14A*+TXV		28,000	21,200	14.00	12.00	1,005	5722533
	AVPTC36C14A*		28,000	21,200	14.00	12.00	1,015	5924443
	AWUF30XX16B*		27,600	20,800	13.00	11.00	1,000	3287812
	AWUF36XX16B*		27,800	21,000	13.00	11.00	1,000	3287813
	AWUF37XX16B*		28,000	21,200	13.00	11.00	1,000	3287814
	CA*F3030*6D*	G*VM960603BXB*	28,400	21,400	14.00	11.50	1,000	5620963
	CA*F3030*6D*	A*EC960402BNA*	28,400	21,400	13.50	11.50	1,000	7365379
	CA*F3030*6D*	A*VM970803BNA*	28,400	21,400	14.00	11.50	1,030	7353783
	CA*F3030*6D*	G*VC950704CXB*	28,400	21,400	14.00	11.50	1,000	5620957
	CA*F3030*6D*	G*VC960403BNA*	28,400	21,400	14.00	11.50	1,000	7353785
	CA*F3030*6D*	A*VC960603BNA*	28,400	21,400	14.00	11.50	1,000	7353779
	CA*F3030*6D*	G*VM970803BNA*	28,400	21,400	14.00	11.50	1,030	7353790
	CA*F3030*6D*	A*VC960803BNA*	28,400	21,400	14.00	11.50	1,030	7353780
	CA*F3030*6D*	A*VM970804CNA*	28,400	21,400	14.00	11.50	1,000	7353784
	CA*F3030*6D*	AMEH960403BXA*	28,400	21,400	14.00	11.50	1,000	6944873
CA*F3030*6D*	A*VC80604B*B*	28,200	21,200	13.50	11.30	1,050	6497548	
CA*F3030*6D*	G*VM970603BNA*	28,400	21,400	14.00	11.50	1,000	7353789	

See Notes on Page 55.

OUTDOOR UNIT	INDOOR UNITS		COOLING RATINGS				CFM	AHRI #
	COILS/AIR HANDLERS	FURNACES	TOTAL ¹	SENS. ¹	SEER ²	EER ³		
GSX13 0301B* (cont.)	CA*F3030*6D*	G*VC960804CNA*	28,400	21,400	14.00	11.50	1,000	7353788
	CA*F3030*6D*	G*VC950714CXB*	28,400	21,400	14.00	11.50	1,000	5620960
	CA*F3030*6D*	A*VC960403BNA*	28,400	21,400	14.00	11.50	1,000	7353778
	CA*F3030*6D*	G*EC960402BNA*	28,400	21,400	13.50	11.50	1,000	7365271
	CA*F3030*6D*	AMEH960603BXA*	28,200	21,200	13.50	11.30	1,000	6944874
	CA*F3030*6D*	A*EC960603BNA*	28,400	21,400	13.50	11.50	1,000	7365387
	CA*F3030*6D*	A*VC960804CNA*	28,400	21,400	14.00	11.50	1,000	7353781
	CA*F3030*6D*	A*EC960803BNA*	28,400	21,400	13.50	11.50	1,000	7365395
	CA*F3030*6D*	GME950603BXA*	28,200	21,200	13.50	11.30	1,000	4703492
	CA*F3030*6D*	ADVC80603B*B*	28,000	21,200	13.50	11.30	1,050	6497552
	CA*F3030*6D*	A*VC950704CXB*	28,400	21,400	14.00	11.50	1,000	6497550
	CA*F3030*6D*	GME950403BXA*	28,400	21,400	14.00	11.50	1,000	4701045
	CA*F3030*6D*	G*EC960803BNA*	28,400	21,400	13.50	11.50	1,000	7365287
	CA*F3030*6D*	G*VM970804CNA*	28,400	21,400	14.00	11.50	1,000	7353791
	CA*F3030*6D*	A*EC960302BNA*	28,000	21,200	13.50	11.50	1,000	7365372
	CA*F3030*6D*	G*EC960302BNA*	28,000	21,200	13.50	11.50	1,000	7365264
	CA*F3030*6D*	A*VM960604CXB*	28,400	21,400	14.00	11.50	1,000	5620966
	CA*F3030*6D*	G*VC960603BNA*	28,400	21,400	14.00	11.50	1,000	7353786
	CA*F3030*6D*	A*VC950453BXB*	28,400	21,400	14.00	11.50	1,000	6497549
	CA*F3030*6D*	A*VC950714CXB*	28,400	21,400	14.00	11.50	1,000	5620959
	CA*F3030*6D*	A*VM970603BNA*	28,400	21,400	14.00	11.50	1,000	7353782
	CA*F3030*6D*	A*VM960603BXB*	28,400	21,400	14.00	11.50	1,000	6497551
	CA*F3030*6D*	G*EC960603BNA*	28,400	21,400	13.50	11.50	1,000	7365279
	CA*F3030*6D*	G*VC960803BNA*	28,400	21,400	14.00	11.50	1,030	7353787
	CA*F3030*6D*	G*VM960604CXB*	28,400	21,400	14.00	11.50	1,000	5620967
	CA*F3030*6D*	G*VC80604B*B*	28,200	21,200	13.50	11.30	1,050	6497553
	CA*F3030*6D*	G*VC950453BXB*	28,400	21,400	14.00	11.50	1,000	5620953
	CA*F3030*6D*+EEP		28,400	21,400	13.00	11.00	1,050	4355516
	CA*F3030*6D*+TXV	G*EC960603BNA*	28,400	21,400	13.50	11.50	1,000	7365280
	CA*F3030*6D*+TXV	A*VC960603BNA*	28,400	21,400	14.00	11.50	1,000	7355010
	CA*F3030*6D*+TXV	G*VM970803BNA*	28,400	21,400	14.00	11.50	1,030	7355021
	CA*F3030*6D*+TXV	A*VM970803BNA*	28,400	21,400	14.00	11.50	1,030	7355014
	CA*F3030*6D*+TXV	A*EC960302BNA*	28,400	21,400	14.00	11.50	1,000	7365373
	CA*F3030*6D*+TXV	A*VC960804CNA*	28,400	21,400	14.00	11.50	1,000	7355012
	CA*F3030*6D*+TXV	G*EC960302BNA*	28,400	21,400	14.00	11.50	1,000	7365265
	CA*F3030*6D*+TXV	A*EC960402BNA*	28,400	21,400	14.00	11.50	1,000	7365380
	CA*F3030*6D*+TXV	G*VC960603BNA*	28,400	21,400	14.00	11.50	1,000	7355017
	CA*F3030*6D*+TXV	G*VC960804CNA*	28,400	21,400	14.00	11.50	1,000	7355019
	CA*F3030*6D*+TXV	A*VC960803BNA*	28,400	21,400	14.00	11.50	1,030	7355011
	CA*F3030*6D*+TXV	G*VC960403BNA*	28,400	21,400	14.00	11.50	1,000	7355016
	CA*F3030*6D*+TXV	G*VM970804CNA*	28,400	21,400	14.00	11.50	1,000	7355022
	CA*F3030*6D*+TXV	A*VC960403BNA*	28,400	21,400	14.00	11.50	1,000	7355009
	CA*F3030*6D*+TXV	A*EC960803BNA*	28,400	21,400	13.50	11.50	1,000	7365396
	CA*F3030*6D*+TXV	A*EC960603BNA*	28,400	21,400	13.50	11.50	1,000	7365388
	CA*F3030*6D*+TXV	G*EC960803BNA*	28,400	21,400	13.50	11.50	1,000	7365288
	CA*F3030*6D*+TXV	A*VM970603BNA*	28,400	21,400	14.00	11.50	1,000	7355013
	CA*F3030*6D*+TXV	A*VM970804CNA*	28,400	21,400	14.00	11.50	1,000	7355015
	CA*F3030*6D*+TXV	G*VC960803BNA*	28,400	21,400	14.00	11.50	1,030	7355018
	CA*F3030*6D*+TXV	G*EC960402BNA*	28,400	21,400	14.00	11.50	1,000	7365272
	CA*F3030*6D*+TXV	G*VM970603BNA*	28,400	21,400	14.00	11.50	1,000	7355020
CA*F3131*6D*	G*EC960603BNA*	28,600	21,600	13.50	11.50	1,000	7365281	
CA*F3131*6D*	A*EC960402BNA*	28,600	21,600	14.00	11.50	1,000	7365381	
CA*F3131*6D*	A*VC950704CXB*	28,400	21,400	14.00	11.50	900	6497556	
CA*F3131*6D*	G*VM960603BXB*	28,600	21,600	14.00	11.50	1,000	5620964	
CA*F3131*6D*	GME950403BXA*	28,600	21,600	14.00	11.50	1,000	4701047	
CA*F3131*6D*	AMEH960403BXA*	28,600	21,600	14.00	11.50	1,000	6944875	

See Notes on Page 55.

OUTDOOR UNIT	INDOOR UNITS		COOLING RATINGS				CFM	AHRI #
	COILS/AIR HANDLERS	FURNACES	TOTAL ¹	SENS. ¹	SEER ²	EER ³		
GSX13 0301B* (cont.)	CA*F3131*6D*	A*EC960803BNA*	28,600	21,600	13.50	11.50	1,000	7365397
	CA*F3131*6D*	A*VC950453BXB*	28,600	21,600	14.00	11.50	1,000	6497555
	CA*F3131*6D*	G*VC950453BXB*	28,600	21,600	14.00	11.50	1,000	5620954
	CA*F3131*6D*	A*VM960604CXB*	28,600	21,600	14.00	11.50	1,050	5620968
	CA*F3131*6D*	G*EC960402BNA*	28,600	21,600	14.00	11.50	1,000	7365273
	CA*F3131*6D*	AMEH960603BXA*	28,400	21,400	13.50	11.30	1,000	6944876
	CA*F3131*6D*	A*EC960302BNA*	28,600	21,600	14.00	11.50	1,000	7365374
	CA*F3131*6D*	ADVC80603B*B*	28,000	21,200	13.50	11.50	1,050	6497558
	CA*F3131*6D*	A*EC960603BNA*	28,600	21,600	13.50	11.50	1,000	7365389
	CA*F3131*6D*	GME950603BXA*	28,400	21,400	13.50	11.30	1,000	4703496
	CA*F3131*6D*	G*EC960302BNA*	28,600	21,600	14.00	11.50	1,000	7365266
	CA*F3131*6D*	G*VC950714CXB*	28,600	21,600	14.00	11.50	1,050	5620962
	CA*F3131*6D*	A*VC950714CXB*	28,600	21,600	14.00	11.50	1,050	5620961
	CA*F3131*6D*	A*VC80604B*B*	28,200	21,200	13.50	11.50	1,050	6497554
	CA*F3131*6D*	A*VM960603BXB*	28,600	21,600	14.00	11.50	1,000	6497557
	CA*F3131*6D*	G*EC960803BNA*	28,600	21,600	13.50	11.50	1,000	7365289
	CA*F3131*6D*	G*VC950704CXB*	28,400	21,400	14.00	11.50	900	5620958
	CA*F3131*6D*	G*VM960604CXB*	28,600	21,600	14.00	11.50	1,050	5620969
	CA*F3131*6D*	G*VC80604B*B*	28,200	21,200	13.50	11.50	1,050	6497559
	CA*F3131*6D*+EHP		28,600	21,600	13.00	11.00	1,050	4385558
	CA*F3131*6D*+MBVC1200*-1A*		28,400	21,400	14.00	11.50	950	4385559
	CA*F3131*6D*+TXV	G*EC960603BNA*	28,600	21,600	13.50	11.50	1,000	7365282
	CA*F3131*6D*+TXV	A*EC960302BNA*	28,600	21,600	14.00	11.50	1,000	7365375
	CA*F3131*6D*+TXV	A*EC960603BNA*	28,600	21,600	13.50	11.50	1,000	7365390
	CA*F3131*6D*+TXV	A*EC960402BNA*	28,600	21,600	14.00	11.50	1,000	7365382
	CA*F3131*6D*+TXV	G*EC960803BNA*	28,600	21,600	13.50	11.50	1,000	7365290
	CA*F3131*6D*+TXV	A*EC960803BNA*	28,600	21,600	13.50	11.50	1,000	7365398
	CA*F3131*6D*+TXV	G*EC960302BNA*	28,600	21,600	14.00	11.50	1,000	7365267
	CA*F3131*6D*+TXV	G*EC960402BNA*	28,600	21,600	14.00	11.50	1,000	7365274
	CA*F3636*6D*+EHP		28,400	21,400	13.00	11.00	1,000	5561912
	CA*F3636*6D*+EHP+TXV		28,400	21,400	13.00	11.00	1,000	5561913
	CA*F3642*6D*+EHP		28,400	21,400	13.00	11.00	1,000	5561914
	CA*F3642*6D*+EHP+TXV		28,400	21,400	13.00	11.00	1,000	5561915
	CA*F3743*6D*	G*VM970804CNA*	28,600	21,600	14.00	11.50	1,000	7353795
	CA*F3743*6D*	G*VC960804CNA*	28,600	21,600	14.00	11.50	1,000	7353794
	CA*F3743*6D*	A*VM970804CNA*	28,600	21,600	14.00	11.50	1,000	7353793
	CA*F3743*6D*	A*VC960804CNA*	28,600	21,600	14.00	11.50	1,000	7353792
	CA*F3743*6D*+EHP		28,400	21,400	13.50	11.00	1,000	5581982
	CA*F3743*6D*+EHP+TXV		28,400	21,400	13.50	11.00	1,000	5581983
	CA*F3743*6D*+TXV	G*VM970804CNA*	28,200	21,200	14.00	11.50	1,000	7353799
	CA*F3743*6D*+TXV	A*EC960803BNA*	28,600	21,600	14.00	11.50	1,000	7365399
	CA*F3743*6D*+TXV	A*VM970804CNA*	28,200	21,200	14.00	11.50	1,000	7353797
	CA*F3743*6D*+TXV	A*VC960804CNA*	28,200	21,200	14.00	11.50	1,000	7353796
	CA*F3743*6D*+TXV	G*VC960804CNA*	28,200	21,200	14.00	11.50	1,000	7353798
	CA*F3743*6D*+TXV	G*EC960803BNA*	28,600	21,600	14.00	11.50	1,000	7365291
	CA*F3743*6D*+TXV	A*EC960402BNA*	28,600	21,600	14.00	11.50	1,000	7365384
	CA*F3743*6D*+TXV	G*EC960603BNA*	28,800	21,800	14.00	11.50	1,000	7365283
	CA*F3743*6D*+TXV	G*EC960402BNA*	28,600	21,600	14.00	11.50	1,000	7365276
	CA*F3743*6D*+TXV	A*EC960603BNA*	28,800	21,800	14.00	11.50	1,000	7365391
	CAPT3131*4A*	A*VC960403BNA*	28,000	21,200	13.50	11.50	1,000	7353800
CAPT3131*4A*	G*VM970803BNA*	28,000	21,200	13.50	11.50	1,030	7353812	
CAPT3131*4A*	G*VC960803BNA*	28,000	21,200	13.50	11.50	1,030	7353809	
CAPT3131*4A*	A*VM970803BNA*	28,000	21,200	13.50	11.50	1,030	7353805	
CAPT3131*4A*	A*VC960804CNA*	28,000	21,200	13.50	11.50	1,000	7353803	
CAPT3131*4A*	A*VC960603BNA*	28,400	21,400	14.00	11.50	1,000	7353801	
CAPT3131*4A*	A*VC960803BNA*	28,000	21,200	13.50	11.50	1,030	7353802	

See Notes on Page 55.

OUTDOOR UNIT	INDOOR UNITS		COOLING RATINGS				CFM	AHRI #
	COILS/AIR HANDLERS	FURNACES	TOTAL ¹	SENS. ¹	SEER ²	EER ³		
GSX13 0301B* (cont.)	CAPT3131*4A*	G*VC960603BNA*	28,400	21,400	14.00	11.50	1,000	7353808
	CAPT3131*4A*	A*VM970603BNA*	28,400	21,400	14.00	11.50	1,000	7353804
	CAPT3131*4A*	G*VC960403BNA*	28,000	21,200	13.50	11.50	1,000	7353807
	CAPT3131*4A*	G*VC960804CNA*	28,000	21,200	13.50	11.50	1,000	7353810
	CAPT3131*4A*	A*VM970804CNA*	28,000	21,200	13.50	11.50	1,000	7353806
	CAPT3131*4A*	G*VM970603BNA*	28,400	21,400	14.00	11.50	1,000	7353811
	CAPT3131*4A*	G*VM970804CNA*	28,000	21,200	13.50	11.50	1,000	7353813
	CAPT3743*4A*	AMEH960403BXA*	28,200	21,200	13.50	11.50	1,000	6944879
	CAPT3743*4A*	G*EC960302BNA*	28,400	21,400	14.00	11.50	1,000	7365268
	CAPT3743*4A*	A*VC960603BNA*	28,200	21,200	13.50	11.50	1,000	7353815
	CAPT3743*4A*	G*E80603B*B*	28,200	21,200	13.50	11.50	1,050	6494165
	CAPT3743*4A*	G*VM970803BNA*	28,200	21,200	14.00	11.50	1,030	7353826
	CAPT3743*4A*	A*VC80805C*B*	28,200	21,200	14.00	12.00	980	6494147
	CAPT3743*4A*	G*EC960803BNA*	28,600	21,600	13.50	11.50	1,000	7365292
	CAPT3743*4A*	A*VM970803BNA*	28,200	21,200	14.00	11.50	1,030	7353819
	CAPT3743*4A*	G*EC960402BNA*	28,400	21,400	14.00	11.50	1,000	7365275
	CAPT3743*4A*	G*VC960804CNA*	28,200	21,200	14.00	11.50	1,000	7353824
	CAPT3743*4A*	A*VC960803BNA*	28,200	21,200	14.00	11.50	1,030	7353816
	CAPT3743*4A*	G*VM961005DXB*	28,200	21,200	14.00	12.00	980	6494206
	CAPT3743*4A*	GME950403BXA*	28,200	21,200	13.50	11.50	1,000	6494166
	CAPT3743*4A*	G*VC950915DXB*	28,200	21,200	14.00	12.00	1,005	6494200
	CAPT3743*4A*	G*VM960604CXB*	28,200	21,200	13.50	11.50	1,040	6494203
	CAPT3743*4A*	G*VC950714CXB*	28,200	21,200	13.50	11.50	1,050	6494197
	CAPT3743*4A*	A*VM970804CNA*	28,200	21,200	14.00	11.50	1,000	7353820
	CAPT3743*4A*	G*VC81005C*B*	28,200	21,200	14.00	12.00	1,000	6494194
	CAPT3743*4A*	G*VC80805C*B*	28,200	21,200	14.00	12.00	980	6494193
	CAPT3743*4A*	G*EC960603BNA*	28,600	21,600	13.50	11.50	1,000	7365284
	CAPT3743*4A*	G*VM960805DXB*	28,200	21,200	14.00	12.00	1,000	6494205
	CAPT3743*4A*	G*VC960603BNA*	28,200	21,200	13.50	11.50	1,000	7353822
	CAPT3743*4A*	A*VC951155DXB*	28,200	21,200	14.00	12.00	1,005	6494155
	CAPT3743*4A*	A*VC950714CXB*	28,200	21,200	13.50	11.50	1,050	6494151
	CAPT3743*4A*	A*VC960804CNA*	28,200	21,200	14.00	11.50	1,000	7353817
	CAPT3743*4A*	G*VC950905CXB*	28,200	21,200	14.00	12.00	985	6494198
	CAPT3743*4A*	ADVC80603B*B*	28,000	21,200	13.50	11.50	1,000	6494162
	CAPT3743*4A*	G*VC950905DXB*	28,200	21,200	14.00	12.00	985	6494199
	CAPT3743*4A*	A*VC950704CXB*	28,200	21,200	13.50	11.50	1,020	6494150
	CAPT3743*4A*	A*VM960805DXB*	28,200	21,200	14.00	12.00	1,000	6494159
	CAPT3743*4A*	G*VC950704CXB*	28,200	21,200	13.50	11.50	1,020	6494196
	CAPT3743*4A*	G*VC960403BNA*	28,200	21,200	14.00	11.50	1,000	7353821
	CAPT3743*4A*	G*VC951155DXB*	28,200	21,200	14.00	12.00	1,005	6494201
	CAPT3743*4A*	G*VM961155DXB*	28,200	21,200	14.00	12.00	1,000	6494207
	CAPT3743*4A*	A*VM960805CXB*	28,200	21,200	14.00	12.00	985	6494158
	CAPT3743*4A*	ADVC81005C*B*	28,000	21,200	14.00	12.00	1,010	6494164
	CAPT3743*4A*	ADVC80805C*B*	28,000	21,200	14.00	12.00	990	6494163
	CAPT3743*4A*	A*VC950905CXB*	28,200	21,200	14.00	12.00	985	6494152
	CAPT3743*4A*	A*EH800603B*A*	28,200	21,200	13.50	11.50	1,050	6944877
	CAPT3743*4A*	A*EC960603BNA*	28,600	21,600	13.50	11.50	1,000	7365392
	CAPT3743*4A*	G*VM970603BNA*	28,200	21,200	13.50	11.50	1,000	7353825
	CAPT3743*4A*	A*VC950915DXB*	28,200	21,200	14.00	12.00	1,005	6494154
	CAPT3743*4A*	G*VC960803BNA*	28,200	21,200	14.00	11.50	1,030	7353823
CAPT3743*4A*	GME950603BXA*	28,200	21,200	13.50	11.50	1,000	6494167	
CAPT3743*4A*	AMEH960603BXA*	28,200	21,200	13.50	11.50	1,000	6944881	
CAPT3743*4A*	G*VC80604B*B*	28,200	21,200	14.00	12.00	1,000	6494192	
CAPT3743*4A*	A*VC81005C*B*	28,200	21,200	14.00	12.00	1,000	6494148	
CAPT3743*4A*	G*VM970804CNA*	28,200	21,200	14.00	11.50	1,000	7353827	
CAPT3743*4A*	A*VM961155DXB*	28,200	21,200	14.00	12.00	1,000	6494161	

See Notes on Page 55.

OUTDOOR UNIT	INDOOR UNITS		COOLING RATINGS				CFM	AHRI #
	COILS/AIR HANDLERS	FURNACES	TOTAL ¹	SENS. ¹	SEER ²	EER ³		
	CAPT3743*4A*	A*VM970603BNA*	28,200	21,200	13.50	11.50	1,000	7353818
	CAPT3743*4A*	A*EC960803BNA*	28,600	21,600	13.50	11.50	1,000	7365400
	CAPT3743*4A*	G*VM960603BXB*	28,200	21,200	13.50	11.50	1,010	6494202
	CAPT3743*4A*	A*VC80604B*B*	28,200	21,200	14.00	12.00	1,000	6494146
	CAPT3743*4A*	A*VM960604CXB*	28,200	21,200	13.50	11.50	1,040	6494157
	CAPT3743*4A*	A*EC960302BNA*	28,400	21,400	14.00	11.50	1,000	7365376
	CAPT3743*4A*	G*VM960805CXB*	28,200	21,200	14.00	12.00	985	6494204
	CAPT3743*4A*	A*VM960603BXB*	28,200	21,200	13.50	11.50	1,010	6494156
	CAPT3743*4A*	G*VC950453BXB*	28,200	21,200	13.50	11.50	1,000	6494195
	CAPT3743*4A*	A*VC960403BNA*	28,200	21,200	14.00	11.50	1,000	7353814
	CAPT3743*4A*	A*VC950453BXB*	28,200	21,200	13.50	11.50	1,000	6494149
	CAPT3743*4A*	A*EC960402BNA*	28,400	21,400	14.00	11.50	1,000	7365383
	CAPT3743*4A*	A*VM961005DXB*	28,200	21,200	14.00	12.00	980	6494160
	CAPT3743*4A*	A*VC950905DXB*	28,200	21,200	14.00	12.00	985	6494153
	CAPT3743*4A*+EEP		28,200	21,200	13.00	11.00	1,000	5611306
	CAPT3743*4A*+MBVC1200**-1A*		28,000	21,200	14.00	11.50	900	6494168
	CAPT3743*4A*+MBVC1600**-1A*		28,200	21,200	14.00	11.50	1,000	5611307
	CHPF2430B6C*	A*EC960302BNA*	28,400	21,400	14.00	11.50	1,000	7365377
	CHPF2430B6C*	A*EC960402BNA*	28,400	21,400	14.00	11.50	1,000	7365385
	CHPF2430B6C*	A*VM970803BNA*	28,400	21,400	14.00	11.50	1,030	7353832
	CHPF2430B6C*	A*VC960403BNA*	28,400	21,400	14.00	11.50	1,000	7353828
	CHPF2430B6C*	A*VC960603BNA*	28,400	21,400	14.00	11.50	1,000	7353829
	CHPF2430B6C*	G*EC960402BNA*	28,400	21,400	14.00	11.50	1,000	7365277
	CHPF2430B6C*	G*VM970603BNA*	28,400	21,400	14.00	11.50	1,000	7353836
	CHPF2430B6C*	A*VC960803BNA*	28,400	21,400	14.00	11.50	1,030	7353830
	CHPF2430B6C*	G*EC960302BNA*	28,400	21,400	14.00	11.50	1,000	7365269
	CHPF2430B6C*	G*VC960603BNA*	28,400	21,400	14.00	11.50	1,000	7353834
	CHPF2430B6C*	AMEH960403BXA*	28,400	21,400	14.00	11.50	1,000	6944883
	CHPF2430B6C*	G*VC950453BXB*	28,400	21,400	14.00	11.50	1,000	5620955
	CHPF2430B6C*	G*VM960604CXB*	28,400	21,400	14.00	11.50	1,000	5620971
	CHPF2430B6C*	G*VC960803BNA*	28,400	21,400	14.00	11.50	1,030	7353835
	CHPF2430B6C*	A*VM960604CXB*	28,400	21,400	14.00	11.50	1,000	5620970
	CHPF2430B6C*	A*VM960603BXB*	28,400	21,400	14.00	11.50	1,000	6497561
	CHPF2430B6C*	G*VM970803BNA*	28,400	21,400	14.00	11.50	1,030	7353837
	CHPF2430B6C*	A*VC950453BXB*	28,400	21,400	14.00	11.50	1,000	6497560
	CHPF2430B6C*	G*VM960603BXB*	28,400	21,400	14.00	11.50	1,000	5620965
	CHPF2430B6C*	G*VC960403BNA*	28,400	21,400	14.00	11.50	1,000	7353833
	CHPF2430B6C*	GME950403BXA*	28,400	21,400	14.00	11.50	1,000	4701102
	CHPF2430B6C*	A*VM970603BNA*	28,400	21,400	14.00	11.50	1,000	7353831
	CHPF2430B6C*+EEP		28,400	21,400	13.00	11.00	1,050	3299982
	CHPF2430B6C*+MBVC1200**-1A*		28,400	21,400	14.00	11.50	1,050	3609438
	CHPF2430B6C*+TXV	G*EC960402BNA*	28,400	21,400	14.00	11.50	1,000	7365278
	CHPF2430B6C*+TXV	A*VM970803BNA*	28,400	21,400	14.00	11.50	1,030	7353842
	CHPF2430B6C*+TXV	G*VM970803BNA*	28,400	21,400	14.00	11.50	1,030	7353847
	CHPF2430B6C*+TXV	A*EC960402BNA*	28,400	21,400	14.00	11.50	1,000	7365386
	CHPF2430B6C*+TXV	A*EC960302BNA*	28,400	21,400	14.00	11.50	1,000	7365378
	CHPF2430B6C*+TXV	G*VM970603BNA*	28,400	21,400	14.00	11.50	1,000	7353846
	CHPF2430B6C*+TXV	A*VM970603BNA*	28,400	21,400	14.00	11.50	1,000	7353841
	CHPF2430B6C*+TXV	G*VC960603BNA*	28,400	21,400	14.00	11.50	1,000	7353844
	CHPF2430B6C*+TXV	A*VC960403BNA*	28,400	21,400	14.00	11.50	1,000	7353838
	CHPF2430B6C*+TXV	G*VC960803BNA*	28,400	21,400	14.00	11.50	1,030	7353845
	CHPF2430B6C*+TXV	A*VC960803BNA*	28,400	21,400	14.00	11.50	1,030	7353840
	CHPF2430B6C*+TXV	G*VC960403BNA*	28,400	21,400	14.00	11.50	1,000	7353843
	CHPF2430B6C*+TXV	G*EC960302BNA*	28,400	21,400	14.00	11.50	1,000	7365270
	CHPF2430B6C*+TXV	A*VC960603BNA*	28,400	21,400	14.00	11.50	1,000	7353839
	CHPF3636B6C*	G*EC960603BNA*	28,400	21,400	13.50	11.50	1,000	7365285

GSX13
0301B*
(cont.)

See Notes on Page 55.

OUTDOOR UNIT	INDOOR UNITS		COOLING RATINGS				CFM	AHRI #
	COILS/AIR HANDLERS	FURNACES	TOTAL ¹	SENS. ¹	SEER ²	EER ³		
GSX13 0301B* (cont.)	CHPF3636B6C*	A*EC960603BNA*	28,400	21,400	13.50	11.50	1,000	7365393
	CHPF3636B6C*	G*EC960803BNA*	28,400	21,400	13.50	11.50	1,000	7365293
	CHPF3636B6C*	A*EC960803BNA*	28,400	21,400	13.50	11.50	1,000	7365401
	CHPF3636B6C*+TXV	A*EC960803BNA*	28,400	21,400	14.00	11.50	1,000	7365402
	CHPF3636B6C*+TXV	G*EC960603BNA*	28,400	21,400	14.00	11.50	1,000	7365286
	CHPF3636B6C*+TXV	A*EC960603BNA*	28,400	21,400	14.00	11.50	1,000	7365394
	CHPF3636B6C*+TXV	G*EC960803BNA*	28,400	21,400	14.00	11.50	1,000	7365294
	CHPF3642C6C*	G*VM970804CNA*	28,400	21,400	14.00	11.50	1,000	7353851
	CHPF3642C6C*	A*VC960804CNA*	28,400	21,400	14.00	11.50	1,000	7353848
	CHPF3642C6C*	G*VC960804CNA*	28,400	21,400	14.00	11.50	1,000	7353850
	CHPF3642C6C*	A*VM970804CNA*	28,400	21,400	14.00	11.50	1,000	7353849
	CHPF3642C6C*+TXV	G*VC960804CNA*	28,400	21,400	14.00	11.50	1,000	7353854
	CHPF3642C6C*+TXV	A*VM970804CNA*	28,400	21,400	14.00	11.50	1,000	7353853
	CHPF3642C6C*+TXV	G*VM970804CNA*	28,400	21,400	14.00	11.50	1,000	7353855
	CHPF3642C6C*+TXV	A*VC960804CNA*	28,400	21,400	14.00	11.50	1,000	7353852
	CSCF3036N6D*	G*VC960403BNA*	28,400	21,400	14.00	11.50	1,000	7353863
	CSCF3036N6D*	A*VC960803BNA*	28,400	21,400	14.00	11.50	1,030	7353858
	CSCF3036N6D*	A*VM970803BNA*	28,400	21,400	14.00	11.50	1,030	7353861
	CSCF3036N6D*	A*VM970804CNA*	28,200	21,200	14.00	11.50	1,000	7353862
	CSCF3036N6D*	A*VM970603BNA*	28,400	21,400	14.00	11.30	1,000	7353860
	CSCF3036N6D*	G*VM970603BNA*	28,400	21,400	14.00	11.30	1,000	7353867
	CSCF3036N6D*	A*VC960403BNA*	28,400	21,400	14.00	11.50	1,000	7353856
	CSCF3036N6D*	G*VM970803BNA*	28,400	21,400	14.00	11.50	1,030	7353868
	CSCF3036N6D*	G*VC960803BNA*	28,400	21,400	14.00	11.50	1,030	7353865
	CSCF3036N6D*	A*VC960804CNA*	28,200	21,200	14.00	11.50	1,000	7353859
	CSCF3036N6D*	A*VC960603BNA*	28,400	21,400	14.00	11.30	1,000	7353857
	CSCF3036N6D*	A*VC950453BXB*	28,400	21,400	14.00	11.30	1,000	6497562
	CSCF3036N6D*	G*VM970804CNA*	28,200	21,200	14.00	11.50	1,000	7353869
	CSCF3036N6D*	G*VC950453BXB*	28,400	21,400	14.00	11.30	1,000	5620956
	CSCF3036N6D*	G*VC960804CNA*	28,200	21,200	14.00	11.50	1,000	7353866
	CSCF3036N6D*	G*VC960603BNA*	28,400	21,400	14.00	11.30	1,000	7353864
	CSCF3036N6D*+EEP		28,400	21,400	13.00	11.00	1,000	4767411
	CSCF3036N6D*+TXV	A*VM970804CNA*	28,200	21,200	14.00	11.50	1,000	7353876
	CSCF3036N6D*+TXV	A*VM970603BNA*	28,400	21,400	14.00	11.30	1,000	7353874
	CSCF3036N6D*+TXV	A*VC960403BNA*	28,400	21,400	14.00	11.50	1,000	7353870
	CSCF3036N6D*+TXV	A*VC960804CNA*	28,200	21,200	14.00	11.50	1,000	7353873
	CSCF3036N6D*+TXV	G*VM970804CNA*	28,200	21,200	14.00	11.50	1,000	7353883
	CSCF3036N6D*+TXV	A*VC960803BNA*	28,400	21,400	14.00	11.50	1,030	7353872
	CSCF3036N6D*+TXV	G*VC960603BNA*	28,400	21,400	14.00	11.30	1,000	7353878
	CSCF3036N6D*+TXV	G*VM970803BNA*	28,400	21,400	14.00	11.50	1,030	7353882
CSCF3036N6D*+TXV	G*VC960403BNA*	28,400	21,400	14.00	11.50	1,000	7353877	
CSCF3036N6D*+TXV	G*VC960803BNA*	28,400	21,400	14.00	11.50	1,030	7353879	
CSCF3036N6D*+TXV	A*VM970803BNA*	28,400	21,400	14.00	11.50	1,030	7353875	
CSCF3036N6D*+TXV	G*VC960804CNA*	28,200	21,200	14.00	11.50	1,000	7353880	
CSCF3036N6D*+TXV	A*VC960603BNA*	28,400	21,400	14.00	11.30	1,000	7353871	
CSCF3036N6D*+TXV	G*VM970603BNA*	28,400	21,400	14.00	11.30	1,000	7353881	
GSX13 0361E*	ARPT36C14A*		33,000	25,800	13.00	11.00	1,150	5696616
	ARPT42D14A*		34,200	26,600	13.50	11.30	1,150	5696617
	ARUF36C14B*		33,000	25,800	13.00	11.00	1,000	5696620
	ARUF36C14B*+TXV		34,000	26,400	13.00	11.00	1,165	5696621
	ARUF42C14A*		34,200	26,600	13.00	11.00	1,150	5696622
	ARUF42C14A*+TXV		34,200	26,600	13.00	11.00	1,150	5696623
	ASPT36C14A*		34,000	26,400	13.80	11.80	1,210	5722540
	ASPT42C14A*		34,000	26,400	14.00	12.00	1,180	7079216
	ASPT42D14A*		34,600	27,000	14.00	12.00	1,280	5722541
	ASUF39C14A*		34,000	26,400	13.50	11.50	1,210	5722538

See Notes on Page 55.

OUTDOOR UNIT	INDOOR UNITS		COOLING RATINGS				CFM	AHRI #
	COILS/AIR HANDLERS	FURNACES	TOTAL ¹	SENS. ¹	SEER ²	EER ³		
GSX13 0361E* (cont.)	ASUF39C14A*+TXV		34,000	26,400	13.80	11.80	1,210	5722539
	AVPTC36C14A*		34,000	26,400	13.80	11.80	1,215	5924444
	AVPTC42D14A*		34,600	27,000	14.00	12.00	1,225	5924445
	AVPTC48C14A*		34,000	26,400	14.00	12.00	1,100	7079217
	AWUF36XX16B*		33,400	26,000	13.00	11.00	1,150	5696626
	AWUF37XX16B*		33,600	26,200	13.00	11.00	1,150	5696627
	CA*F3636*6D*	A*VC950714CXB*	33,600	26,200	13.50	11.30	1,135	5696713
	CA*F3636*6D*	G*VC951155DXB*	33,600	26,200	13.50	11.30	1,205	5696715
	CA*F3636*6D*	G*VM961155DXB*	33,600	26,200	13.50	11.30	1,205	5696719
	CA*F3636*6D*	A*VM960604CXB*	33,600	26,200	13.50	11.30	1,155	5696634
	CA*F3636*6D*	G*VC950905CXB*	33,600	26,200	13.50	11.30	1,150	5696691
	CA*F3636*6D*	A*VC950915DXB*	33,600	26,200	13.50	11.30	1,220	5696631
	CA*F3636*6D*	G*VC950905DXB*	33,600	26,200	13.50	11.30	1,150	5696703
	CA*F3636*6D*	G*VM961005DXB*	33,600	26,200	13.50	11.30	1,205	5696699
	CA*F3636*6D*	G*VM960805DXB*	33,600	26,200	13.50	11.30	1,220	5696695
	CA*F3636*6D*	G*VC950714CXB*	33,600	26,200	13.50	11.30	1,135	5696711
	CA*F3636*6D*	G*VC950915DXB*	33,600	26,200	13.50	11.30	1,220	5696628
	CA*F3636*6D*	G*VM960604CXB*	33,600	26,200	13.50	11.30	1,155	5696687
	CA*F3636*6D*	G*VM960805CXB*	33,600	26,200	13.50	11.30	1,150	5696707
	CA*F3636*6D*+EEP		33,600	26,200	13.00	11.00	1,200	5696608
	CA*F3642*6D*	G*VC951155DXB*	34,000	26,400	14.00	11.50	1,210	5696716
	CA*F3642*6D*	G*VC950915DXB*	34,000	26,400	14.00	11.50	1,225	5696629
	CA*F3642*6D*	G*VM960604CXB*	34,000	26,400	14.00	11.50	1,165	5696688
	CA*F3642*6D*	G*VM960805DXB*	34,000	26,400	14.00	11.50	1,225	5696696
	CA*F3642*6D*	G*VC950714CXB*	34,000	26,400	14.00	11.50	1,160	5696638
	CA*F3642*6D*	G*VM961005DXB*	34,000	26,400	14.00	11.50	1,205	5696700
	CA*F3642*6D*	A*VM960604CXB*	34,000	26,400	14.00	11.50	1,165	5696635
	CA*F3642*6D*	A*VC950714CXB*	34,000	26,400	14.00	11.50	1,160	5696639
	CA*F3642*6D*	G*VM960805CXB*	34,000	26,400	14.00	11.50	1,165	5696708
	CA*F3642*6D*	G*VM961155DXB*	34,000	26,400	14.00	11.50	1,210	5696720
	CA*F3642*6D*	G*VC950905CXB*	34,000	26,400	14.00	11.50	1,165	5696692
	CA*F3642*6D*	G*VC950905DXB*	34,000	26,400	14.00	11.50	1,165	5696704
	CA*F3642*6D*	A*VC950915DXB*	34,000	26,400	14.00	11.50	1,225	5696632
	CA*F3642*6D*+EEP		33,600	26,200	13.00	11.00	1,200	5696609
	CA*F3642*6D*+MBVC1600**-1A*		34,000	26,400	14.00	11.50	1,200	5696640
	CA*F3743*6D*	G*VC951155DXB*	34,000	26,400	14.00	11.50	1,210	5696717
	CA*F3743*6D*	G*VC961005CNA*	34,000	26,400	13.50	11.30	1,175	7353891
	CA*F3743*6D*	G*VC950915DXB*	34,000	26,400	14.00	11.50	1,225	5696630
	CA*F3743*6D*	G*VM971005CNA*	34,000	26,400	13.50	11.30	1,175	7353894
	CA*F3743*6D*	G*VC961205DNA*	34,000	26,400	13.50	11.30	1,150	7353892
	CA*F3743*6D*	G*VM960604CXB*	34,000	26,400	14.00	11.50	1,170	5696689
	CA*F3743*6D*	G*VM960805CXB*	34,000	26,400	14.00	11.50	1,185	5696709
	CA*F3743*6D*	A*VC950915DXB*	34,000	26,400	14.00	11.50	1,225	5696633
	CA*F3743*6D*	G*VM971205DNA*	34,000	26,400	13.50	11.30	1,150	7353895
	CA*F3743*6D*	A*VC961005CNA*	34,000	26,400	13.50	11.30	1,175	7353885
	CA*F3743*6D*	G*EC961004CNA*	33,600	26,200	13.50	11.50	1,100	7365299
	CA*F3743*6D*	G*VC960804CNA*	34,000	26,400	13.00	11.00	1,115	7353890
	CA*F3743*6D*	A*EC961004CNA*	33,600	26,200	13.50	11.50	1,100	7365407
	CA*F3743*6D*	A*VM960604CXB*	34,000	26,400	14.00	11.50	1,170	5696636
	CA*F3743*6D*	A*VC950704CXB*	34,000	26,400	14.00	11.50	1,165	7293971
CA*F3743*6D*	G*VM960805DXB*	34,000	26,400	14.00	11.50	1,225	5696697	
CA*F3743*6D*	G*VC950905DXB*	34,000	26,400	14.00	11.50	1,090	5696705	
CA*F3743*6D*	G*VC950704CXB*	34,000	26,400	14.00	11.50	1,165	7293972	
CA*F3743*6D*	A*VC961205DNA*	34,000	26,400	13.50	11.30	1,150	7353886	
CA*F3743*6D*	G*VM961155DXB*	34,000	26,400	14.00	11.50	1,210	5696721	
CA*F3743*6D*	A*VC950714CXB*	34,000	26,400	14.00	11.50	1,165	5696714	

See Notes on Page 55.

OUTDOOR UNIT	INDOOR UNITS		COOLING RATINGS				CFM	AHRI #
	COILS/AIR HANDLERS	FURNACES	TOTAL ¹	SENS. ¹	SEER ²	EER ³		
GSX13 0361E* (cont.)	CA*F3743*6D*	A*VM971205DNA*	34,000	26,400	13.50	11.30	1,150	7353889
	CA*F3743*6D*	G*VC950714CXB*	34,000	26,400	14.00	11.50	1,165	5696712
	CA*F3743*6D*	A*VC960804CNA*	34,000	26,400	13.00	11.00	1,115	7353884
	CA*F3743*6D*	G*VM961005DXB*	34,000	26,400	14.00	11.50	1,210	5696701
	CA*F3743*6D*	A*VM970804CNA*	34,000	26,400	13.00	11.00	1,115	7353887
	CA*F3743*6D*	G*VM970804CNA*	34,000	26,400	13.00	11.00	1,115	7353893
	CA*F3743*6D*	A*VM971005CNA*	34,000	26,400	13.50	11.30	1,175	7353888
	CA*F3743*6D*	G*VC950905CXB*	34,000	26,400	14.00	11.50	1,185	5696693
	CA*F3743*6D*+EEP		34,200	26,600	13.00	11.00	1,200	5696610
	CA*F3743*6D*+EEP+TXV		34,200	26,600	13.50	11.00	1,200	5696611
	CA*F3743*6D*+MBVC1600**-1A*		34,000	26,400	14.00	11.50	1,210	5696641
	CA*F3743*6D*+TXV	G*VM971005CNA*	34,000	26,400	13.50	11.30	1,175	7353906
	CA*F3743*6D*+TXV	G*EC960803BNA*	33,400	26,000	13.50	11.00	1,075	7365297
	CA*F3743*6D*+TXV	G*VC961205DNA*	34,000	26,400	13.50	11.30	1,150	7353904
	CA*F3743*6D*+TXV	A*VC960804CNA*	34,000	26,400	13.50	11.30	1,115	7353896
	CA*F3743*6D*+TXV	G*VM970804CNA*	34,000	26,400	13.50	11.30	1,115	7353905
	CA*F3743*6D*+TXV	G*VC961005CNA*	34,000	26,400	13.50	11.30	1,175	7353903
	CA*F3743*6D*+TXV	A*VC961005CNA*	34,000	26,400	13.50	11.30	1,175	7353897
	CA*F3743*6D*+TXV	A*VM970804CNA*	34,000	26,400	13.50	11.30	1,115	7353899
	CA*F3743*6D*+TXV	A*VM971205DNA*	34,000	26,400	13.50	11.30	1,150	7353901
	CA*F3743*6D*+TXV	A*EC961004CNA*	33,600	26,200	14.00	11.50	1,100	7365408
	CA*F3743*6D*+TXV	A*EC960803BNA*	33,400	26,000	13.50	11.00	1,075	7365405
	CA*F3743*6D*+TXV	G*EC961004CNA*	33,600	26,200	14.00	11.50	1,100	7365300
	CA*F3743*6D*+TXV	A*VM971005CNA*	34,000	26,400	13.50	11.30	1,175	7353900
	CA*F3743*6D*+TXV	G*EC960603BNA*	33,600	26,200	13.50	11.00	1,175	7365295
	CA*F3743*6D*+TXV	G*VC960804CNA*	34,000	26,400	13.50	11.30	1,115	7353902
	CA*F3743*6D*+TXV	G*VM971205DNA*	34,000	26,400	13.50	11.30	1,150	7353907
	CA*F3743*6D*+TXV	A*EC960603BNA*	33,600	26,200	13.50	11.00	1,175	7365403
	CA*F3743*6D*+TXV	A*VC961205DNA*	34,000	26,400	13.50	11.30	1,150	7353898
	CAPT3743*4A*	G*VM961155DXB*	34,000	26,400	13.50	11.50	1,200	6494291
	CAPT3743*4A*	G*VM960604CXB*	34,000	26,400	13.50	11.50	1,250	6494287
	CAPT3743*4A*	A*VM960604CXB*	34,000	26,400	13.50	11.50	1,250	6494235
	CAPT3743*4A*	A*VC950704CXB*	34,000	26,400	13.00	11.00	1,220	6494228
	CAPT3743*4A*	A*VC950905DXB*	34,000	26,400	13.50	11.50	1,170	6494231
	CAPT3743*4A*	AMEH960403BXA*	34,000	26,400	13.00	11.00	1,150	6944890
	CAPT3743*4A*	AMEH961005DXA*	34,000	26,400	13.50	11.50	1,250	6944896
	CAPT3743*4A*	G*VC961005CNA*	34,000	26,400	13.00	11.00	1,175	7353915
	CAPT3743*4A*	A*VC950915DXB*	34,000	26,400	13.50	11.50	1,210	6494232
	CAPT3743*4A*	G*VC950905DXB*	34,000	26,400	13.50	11.50	1,170	6494283
	CAPT3743*4A*	G*VM970804CNA*	34,000	26,400	13.00	11.00	1,115	7353917
	CAPT3743*4A*	A*VM960805CXB*	34,000	26,400	13.50	11.50	1,175	6494236
	CAPT3743*4A*	G*E80805C*B*	34,000	26,400	13.50	11.50	1,210	6494244
	CAPT3743*4A*	G*VC951155DXB*	34,000	26,400	13.50	11.50	1,200	6494285
	CAPT3743*4A*	ADVC81005C*B*	34,000	26,400	13.50	11.50	1,235	6494242
	CAPT3743*4A*	A*EH801005C*A*	34,000	26,400	13.50	11.50	1,230	6944888
	CAPT3743*4A*	A*EH800805C*A*	34,000	26,400	13.50	11.50	1,210	6944886
	CAPT3743*4A*	A*EC961004CNA*	33,600	26,200	13.50	11.30	1,100	7365409
	CAPT3743*4A*	A*VM970804CNA*	34,000	26,400	13.00	11.00	1,115	7353911
	CAPT3743*4A*	G*E80603B*B*	34,000	26,400	13.00	11.00	1,150	6494243
	CAPT3743*4A*	A*VC81005C*B*	34,000	26,400	13.50	11.50	1,210	6494227
CAPT3743*4A*	G*VM961005DXB*	34,000	26,400	13.50	11.50	1,170	6494290	
CAPT3743*4A*	A*EH800603B*A*	34,000	26,400	13.00	11.00	1,150	6944884	
CAPT3743*4A*	G*VM971005CNA*	34,000	26,400	13.00	11.00	1,175	7353918	
CAPT3743*4A*	A*VC80805C*B*	34,000	26,400	13.50	11.50	1,190	6494226	
CAPT3743*4A*	G*VC961205DNA*	34,000	26,400	13.50	11.30	1,150	7353916	
CAPT3743*4A*	G*VC950714CXB*	34,000	26,400	13.50	11.50	1,250	6494281	

See Notes on Page 55.

OUTDOOR UNIT	INDOOR UNITS		COOLING RATINGS				CFM	AHRI #
	COILS/AIR HANDLERS	FURNACES	TOTAL ¹	SENS. ¹	SEER ²	EER ³		
GSX13 0361E* (cont.)	CAPT3743*4A*	G*VC81005C*B*	34,000	26,400	13.50	11.50	1,210	6494279
	CAPT3743*4A*	A*VC961205DNA*	34,000	26,400	13.50	11.30	1,150	7353910
	CAPT3743*4A*	AMEH960603BXA*	33,400	26,000	13.00	11.00	1,100	6944892
	CAPT3743*4A*	G*VC950915DXB*	34,000	26,400	13.50	11.50	1,210	6494284
	CAPT3743*4A*	A*VC80604B*B*	34,000	26,400	13.50	11.50	1,220	6494225
	CAPT3743*4A*	G*VM960603BxB*	34,000	26,400	13.00	11.00	1,220	6494286
	CAPT3743*4A*	A*VM960603BxB*	34,000	26,400	13.00	11.00	1,220	6494234
	CAPT3743*4A*	G*VC950704CXB*	34,000	26,400	13.00	11.00	1,220	6494280
	CAPT3743*4A*	A*VC950905CXB*	34,000	26,400	13.50	11.50	1,170	6494230
	CAPT3743*4A*	GME950403BXA*	34,000	26,400	13.00	11.00	1,150	6494246
	CAPT3743*4A*	A*VM971205DNA*	34,000	26,400	13.50	11.30	1,150	7353913
	CAPT3743*4A*	G*EC961004CNA*	33,600	26,200	13.50	11.30	1,100	7365301
	CAPT3743*4A*	G*E81005C*B*	34,000	26,400	13.50	11.50	1,230	6494245
	CAPT3743*4A*	G*VM960805CXB*	34,000	26,400	13.50	11.50	1,175	6494288
	CAPT3743*4A*	A*VC960804CNA*	34,000	26,400	13.00	11.00	1,115	7353908
	CAPT3743*4A*	G*VM971205DNA*	34,000	26,400	13.50	11.30	1,150	7353919
	CAPT3743*4A*	GME950603BXA*	33,400	26,000	13.00	11.00	1,100	6494247
	CAPT3743*4A*	A*VC950714CXB*	34,000	26,400	13.50	11.50	1,250	6494229
	CAPT3743*4A*	G*VC950905CXB*	34,000	26,400	13.50	11.50	1,170	6494282
	CAPT3743*4A*	AMEH960805CXA*	33,400	26,000	13.50	11.50	1,090	6944894
	CAPT3743*4A*	GME950805CXA*	33,400	26,000	13.50	11.50	1,090	6494248
	CAPT3743*4A*	A*VC961005CNA*	34,000	26,400	13.00	11.00	1,175	7353909
	CAPT3743*4A*	A*VM961005DXB*	34,000	26,400	13.50	11.50	1,170	6494238
	CAPT3743*4A*	A*VM971005CNA*	34,000	26,400	13.00	11.00	1,175	7353912
	CAPT3743*4A*	GME951005DXA*	34,000	26,400	13.50	11.50	1,250	6494249
	CAPT3743*4A*	G*VC960804CNA*	34,000	26,400	13.00	11.00	1,115	7353914
	CAPT3743*4A*	G*VM960805DXB*	34,000	26,400	13.50	11.50	1,175	6494289
	CAPT3743*4A*	ADVC80603B*B*	34,000	26,400	13.50	11.50	1,165	6494240
	CAPT3743*4A*	G*VC80805C*B*	34,000	26,400	13.50	11.50	1,190	6494278
	CAPT3743*4A*	ADVC80805C*B*	34,000	26,400	13.50	11.50	1,190	6494241
	CAPT3743*4A*	A*VM960805DXB*	34,000	26,400	13.50	11.50	1,175	6494237
	CAPT3743*4A*	A*VM961155DXB*	34,000	26,400	13.50	11.50	1,200	6494239
	CAPT3743*4A*	A*VC951155DXB*	34,000	26,400	13.50	11.50	1,200	6494233
	CAPT3743*4A*	G*VC80604B*B*	34,000	26,400	13.50	11.50	1,220	6494277
	CAPT3743*4A*+EEP		34,000	26,400	13.00	11.00	1,200	5696612
	CAPT3743*4A*+MBVC1200**-1A*		34,000	26,400	13.00	11.50	1,200	6494250
	CAPT3743*4A*+MBVC1600**-1A*		34,000	26,400	14.00	11.50	1,205	5696642
	CAPT3743*4A*+MBVC2000**-1A*		34,000	26,400	14.00	11.50	1,205	5696644
	CHPF3636B6C*+EEP		34,000	26,400	13.00	11.00	1,200	5696613
	CHPF3642C6C*	G*VC960804CNA*	33,800	26,400	13.00	11.00	1,115	7353924
	CHPF3642C6C*	A*VM971005CNA*	34,000	26,400	13.50	11.30	1,175	7353923
	CHPF3642C6C*	G*VM970804CNA*	33,800	26,400	13.00	11.00	1,115	7353926
	CHPF3642C6C*	A*VC960804CNA*	33,800	26,400	13.00	11.00	1,115	7353920
	CHPF3642C6C*	A*VM970804CNA*	33,800	26,400	13.00	11.00	1,115	7353922
	CHPF3642C6C*	G*E80805C*B*	34,000	26,400	14.00	11.50	1,100	7424249
	CHPF3642C6C*	G*VC961005CNA*	34,000	26,400	13.50	11.30	1,175	7353925
	CHPF3642C6C*	G*VM971005CNA*	34,000	26,400	13.50	11.30	1,175	7353927
	CHPF3642C6C*	A*VC961005CNA*	34,000	26,400	13.50	11.30	1,175	7353921
	CHPF3642C6C*+EEP		34,000	26,400	13.00	11.00	1,200	5696614
	CHPF3642C6C*+MBVC1600**-1A*		34,000	26,400	14.00	11.50	1,210	5696643
CHPF3642C6C*+TXV	G*VC960804CNA*	33,800	26,400	13.50	11.30	1,115	7353932	
CHPF3642C6C*+TXV	G*VM971005CNA*	34,000	26,400	13.50	11.30	1,175	7353935	
CHPF3642C6C*+TXV	A*VM971005CNA*	34,000	26,400	13.50	11.30	1,175	7353931	
CHPF3642C6C*+TXV	A*VC960804CNA*	33,800	26,400	13.50	11.30	1,115	7353928	
CHPF3642C6C*+TXV	G*VM970804CNA*	33,800	26,400	13.50	11.30	1,115	7353934	
CHPF3642C6C*+TXV	A*VM970804CNA*	33,800	26,400	13.50	11.30	1,115	7353930	

See Notes on Page 55.

OUTDOOR UNIT	INDOOR UNITS		COOLING RATINGS				CFM	AHRI #
	COILS/AIR HANDLERS	FURNACES	TOTAL ¹	SENS. ¹	SEER ²	EER ³		
GSX13 0361E* (cont.)	CHPF3642C6C*+TXV	A*VC961005CNA*	34,000	26,400	13.50	11.30	1,175	7353929
	CHPF3642C6C*+TXV	G*VC961005CNA*	34,000	26,400	13.50	11.30	1,175	7353933
	CHPF3642D6C*	A*VM971205DNA*	34,000	26,400	13.50	11.30	1,150	7353937
	CHPF3642D6C*	G*VM960805DXB*	33,600	26,200	14.00	11.50	1,225	5696698
	CHPF3642D6C*	G*VC950905CXB*	33,600	26,200	14.00	11.50	1,170	5696694
	CHPF3642D6C*	G*VM960604CXB*	33,600	26,200	14.00	11.50	1,170	5696690
	CHPF3642D6C*	G*VM961005DXB*	33,600	26,200	14.00	11.50	1,210	5696702
	CHPF3642D6C*	G*VM961155DXB*	33,600	26,200	14.00	11.50	1,210	5696722
	CHPF3642D6C*	G*VM971205DNA*	34,000	26,400	13.50	11.30	1,150	7353939
	CHPF3642D6C*	A*VM960604CXB*	33,600	26,200	14.00	11.50	1,170	5696637
	CHPF3642D6C*	G*VC950905DXB*	33,600	26,200	14.00	11.50	1,105	5696706
	CHPF3642D6C*	A*VC961205DNA*	34,000	26,400	13.50	11.30	1,150	7353936
	CHPF3642D6C*	G*VC961205DNA*	34,000	26,400	13.50	11.30	1,150	7353938
	CHPF3642D6C*	G*VC951155DXB*	33,600	26,200	14.00	11.50	1,210	5696718
	CHPF3642D6C*	G*VM960805CXB*	33,600	26,200	14.00	11.50	1,170	5696710
	CHPF3642D6C*+EEP		34,000	26,400	13.00	11.00	1,200	5696615
	CHPF3642D6C*+TXV	G*VC961205DNA*	34,000	26,400	13.50	11.30	1,150	7353942
	CHPF3642D6C*+TXV	G*VM971205DNA*	34,000	26,400	13.50	11.30	1,150	7353943
	CHPF3642D6C*+TXV	A*VM971205DNA*	34,000	26,400	13.50	11.30	1,150	7353941
	CHPF3642D6C*+TXV	A*VC961205DNA*	34,000	26,400	13.50	11.30	1,150	7353940
	CHPF3743C6B*	A*EC961004CNA*	33,600	26,200	13.50	11.30	1,100	7365410
	CHPF3743C6B*	G*EC961004CNA*	33,600	26,200	13.50	11.30	1,100	7365302
	CHPF3743C6B*+TXV	A*EC961004CNA*	33,600	26,200	14.00	11.50	1,100	7365411
	CHPF3743C6B*+TXV	G*EC961004CNA*	33,600	26,200	14.00	11.50	1,100	7365303
	CHPF3743C6B*+TXV	G*EC960603BNA*	33,600	26,200	13.50	11.00	1,175	7365296
	CHPF3743C6B*+TXV	G*EC960803BNA*	33,400	26,000	13.50	11.00	1,075	7365298
	CHPF3743C6B*+TXV	A*EC960603BNA*	33,600	26,200	13.50	11.00	1,175	7365404
	CHPF3743C6B*+TXV	A*EC960803BNA*	33,400	26,000	13.50	11.00	1,075	7365406
	CSCF3036N6D*+EEP		34,000	26,400	13.00	11.00	1,200	6752560
	CSCF3642N6D*	A*VM971005CNA*	33,800	26,400	13.50	11.30	1,175	7353948
	CSCF3642N6D*	A*VM970804CNA*	33,600	26,200	13.00	11.00	1,115	7353947
	CSCF3642N6D*	A*VC961005CNA*	33,800	26,400	13.50	11.30	1,175	7353945
	CSCF3642N6D*	G*VM971005CNA*	33,800	26,400	13.50	11.30	1,175	7353954
	CSCF3642N6D*	G*VM970804CNA*	33,600	26,200	13.00	11.00	1,115	7353953
	CSCF3642N6D*	A*VC961205DNA*	33,600	26,200	13.50	11.30	1,150	7353946
	CSCF3642N6D*	A*VM971205DNA*	33,600	26,200	13.50	11.30	1,150	7353949
	CSCF3642N6D*	A*VC960804CNA*	33,600	26,200	13.00	11.00	1,115	7353944
	CSCF3642N6D*	G*VM971205DNA*	33,600	26,200	13.50	11.30	1,150	7353955
	CSCF3642N6D*	G*VC961205DNA*	33,600	26,200	13.50	11.30	1,150	7353952
	CSCF3642N6D*	G*VC961005CNA*	33,800	26,400	13.50	11.30	1,175	7353951
	CSCF3642N6D*	G*VC960804CNA*	33,600	26,200	13.00	11.00	1,115	7353950
	CSCF3642N6D*+EEP		34,600	27,000	13.00	11.00	1,200	6752561
	CSCF3642N6D*+TXV	A*VM971005CNA*	33,800	26,400	13.50	11.30	1,175	7353960
	CSCF3642N6D*+TXV	A*VM971205DNA*	33,600	26,200	13.50	11.30	1,150	7353961
	CSCF3642N6D*+TXV	G*VM971205DNA*	33,600	26,200	13.50	11.30	1,150	7353967
	CSCF3642N6D*+TXV	A*VC961205DNA*	33,600	26,200	13.50	11.30	1,150	7353958
	CSCF3642N6D*+TXV	G*VM970804CNA*	33,600	26,200	13.00	11.00	1,115	7353965
	CSCF3642N6D*+TXV	G*VM971005CNA*	33,800	26,400	13.50	11.30	1,175	7353966
	CSCF3642N6D*+TXV	A*VM970804CNA*	33,600	26,200	13.00	11.00	1,115	7353959
	CSCF3642N6D*+TXV	G*VC961005CNA*	33,800	26,400	13.50	11.30	1,175	7353963
CSCF3642N6D*+TXV	G*VC961205DNA*	33,600	26,200	13.50	11.30	1,150	7353964	
CSCF3642N6D*+TXV	A*VC961005CNA*	33,800	26,400	13.50	11.30	1,175	7353957	
CSCF3642N6D*+TXV	G*VC960804CNA*	33,600	26,200	13.00	11.00	1,115	7353962	
CSCF3642N6D*+TXV	A*VC960804CNA*	33,600	26,200	13.00	11.00	1,115	7353956	
DV48PTCC14A*		34,000	26,400	14.00	12.00	1,100	7079218	

See Notes on Page 55.

OUTDOOR UNIT	INDOOR UNITS		COOLING RATINGS				CFM	AHRI #
	COILS/AIR HANDLERS	FURNACES	TOTAL ¹	SENS. ¹	SEER ²	EER ³		
	ARPT42D14A*		40,000	30,600	13.00	11.00	1,280	5360115
	ARPT48D14A*		40,500	31,000	13.50	11.50	1,280	5378541
	ARUF42C14A*		39,500	30,200	13.00	11.00	1,280	5360116
	ARUF42C14A*+TXV		39,500	30,200	13.00	11.00	1,280	5378539
	ARUF48D14A*		39,500	30,200	13.00	11.00	1,350	5378540
	ASPT42D14A*		40,500	31,000	14.00	12.00	1,385	5722552
	ASPT48C14A*		39,500	30,200	13.50	11.50	1,300	7079236
	ASUF39C14A*		38,500	29,600	13.50	11.50	1,435	5722550
	ASUF39C14A*+TXV		38,500	29,600	13.80	11.80	1,435	5722551
	ASUF49C14A*		39,500	30,200	13.50	11.50	1,310	5620421
	ASUF49C14A*+TXV		39,500	30,200	13.80	11.70	1,310	5620404
	AVPTC42D14A*		40,500	31,000	14.00	12.00	1,495	5924343
	AVPTC48C14A*		39,500	30,200	13.50	11.50	1,300	7079219
	CA*F3642*6D*	A*EH800805C*A*	40,000	30,600	13.00	11.30	1,350	6944898
	CA*F3642*6D*	G*E80805C*B*	40,000	30,600	13.00	11.30	1,350	5038971
	CA*F3642*6D*+EEP		40,000	30,600	13.00	11.00	1,400	4946292
	CA*F3642*6D*+EEP+TXV		40,000	30,600	13.00	11.00	1,400	5561917
	CA*F3743*6D*	G*VC961205DNA*	40,000	30,600	14.00	11.50	1,250	7353976
	CA*F3743*6D*	A*VC961005CNA*	40,500	31,000	14.00	11.50	1,300	7353969
	CA*F3743*6D*	A*VM971205DNA*	40,000	30,600	14.00	11.50	1,250	7353973
	CA*F3743*6D*	A*VM970804CNA*	40,500	31,000	14.00	11.50	1,300	7353971
	CA*F3743*6D*	A*VC960804CNA*	40,500	31,000	14.00	11.50	1,300	7353968
	CA*F3743*6D*	G*VM970804CNA*	40,500	31,000	14.00	11.50	1,300	7353977
	CA*F3743*6D*	A*EH800805C*A*	40,000	30,600	13.00	11.30	1,350	6944900
	CA*F3743*6D*	G*VM971005CNA*	40,500	31,000	14.00	11.50	1,300	7353978
	CA*F3743*6D*	A*VM971005CNA*	40,500	31,000	14.00	11.50	1,300	7353972
	CA*F3743*6D*	A*VC961205DNA*	40,000	30,600	14.00	11.50	1,250	7353970
	CA*F3743*6D*	G*VC961005CNA*	40,500	31,000	14.00	11.50	1,300	7353975
	CA*F3743*6D*	G*E80805C*B*	40,000	30,600	13.00	11.30	1,350	5039232
	CA*F3743*6D*	G*VM971205DNA*	40,000	30,600	14.00	11.50	1,250	7353979
	CA*F3743*6D*	G*VC960804CNA*	40,500	31,000	14.00	11.50	1,300	7353974
	CA*F3743*6D*+EEP		40,000	30,600	13.00	11.00	1,400	4415025
	CA*F3743*6D*+TXV	G*VC961005CNA*	40,500	31,000	14.00	11.50	1,300	7353987
	CA*F3743*6D*+TXV	A*VC961005CNA*	40,500	31,000	14.00	11.50	1,300	7353981
	CA*F3743*6D*+TXV	A*VM971205DNA*	40,000	30,600	14.00	11.50	1,250	7353985
	CA*F3743*6D*+TXV	G*VM971205DNA*	40,000	30,600	14.00	11.50	1,250	7353991
	CA*F3743*6D*+TXV	G*VM970804CNA*	40,500	31,000	14.00	11.50	1,300	7353989
	CA*F3743*6D*+TXV	G*VM971005CNA*	40,500	31,000	14.00	11.50	1,300	7353990
	CA*F3743*6D*+TXV	G*VC960804CNA*	40,500	31,000	14.00	11.50	1,300	7353986
	CA*F3743*6D*+TXV	A*VM970804CNA*	40,500	31,000	14.00	11.50	1,300	7353983
	CA*F3743*6D*+TXV	A*VM971005CNA*	40,500	31,000	14.00	11.50	1,300	7353984
	CA*F3743*6D*+TXV	A*VC960804CNA*	40,500	31,000	14.00	11.50	1,300	7353980
	CA*F3743*6D*+TXV	A*VC961205DNA*	40,000	30,600	14.00	11.50	1,250	7353982
	CA*F3743*6D*+TXV	G*VC961205DNA*	40,000	30,600	14.00	11.50	1,250	7353988
	CA*F4860*6D*	G*VC961005CNA*	41,000	31,400	14.00	11.50	1,300	7353999
	CA*F4860*6D*	AMEH961005DXA*	40,500	31,000	13.50	11.00	1,440	6944906
	CA*F4860*6D*	GME950805CXA*	40,500	31,000	14.00	11.30	1,400	4703730
	CA*F4860*6D*	AMEH960805CXA*	40,500	31,000	14.00	11.30	1,400	6944904
	CA*F4860*6D*	A*EH800805C*A*	41,000	31,400	13.50	11.50	1,510	6944902
	CA*F4860*6D*	A*VC961005CNA*	41,000	31,400	14.00	11.50	1,300	7353993
	CA*F4860*6D*	G*VM971205DNA*	40,500	31,000	14.00	11.50	1,250	7354003
	CA*F4860*6D*	G*VC961205DNA*	40,500	31,000	14.00	11.50	1,250	7354000
	CA*F4860*6D*	G*VC950714CXB*	41,000	31,400	14.00	11.50	1,400	5621022
	CA*F4860*6D*	G*VC951155DXB*	41,000	31,400	14.00	11.50	1,400	5621032
	CA*F4860*6D*	A*VM970804CNA*	41,000	31,400	14.00	11.50	1,300	7353995
	CA*F4860*6D*	G*VM961005DXB*	41,000	31,400	14.00	11.50	1,400	5621047

See Notes on Page 55.

OUTDOOR UNIT	INDOOR UNITS		COOLING RATINGS				CFM	AHRI #
	COILS/AIR HANDLERS	FURNACES	TOTAL ¹	SENS. ¹	SEER ²	EER ³		
GSX13 0421B* (cont.)	CA*F4860*6D*	G*EC961004CNA*	39,500	30,200	14.00	11.50	1,275	7365304
	CA*F4860*6D*	A*VC950714CXB*	41,000	31,400	14.00	11.50	1,400	5621021
	CA*F4860*6D*	G*VC950905CXB*	41,000	31,400	14.00	11.50	1,400	5621023
	CA*F4860*6D*	G*VM960805CXB*	41,000	31,400	14.00	11.50	1,400	5621041
	CA*F4860*6D*	G*VM960805DXB*	41,000	31,400	14.00	11.50	1,400	5621044
	CA*F4860*6D*	A*VC950915DXB*	41,000	31,400	14.00	11.50	1,400	5621030
	CA*F4860*6D*	A*VM960805CXB*	41,000	31,400	14.00	11.50	1,400	6497566
	CA*F4860*6D*	A*VM961005DXB*	41,000	31,400	14.00	11.50	1,400	6497568
	CA*F4860*6D*	A*VC950905DXB*	41,000	31,400	14.00	11.50	1,400	6497564
	CA*F4860*6D*	G*VM960604CXB*	41,000	31,400	14.00	11.50	1,400	5621036
	CA*F4860*6D*	A*VM971005CNA*	41,000	31,400	14.00	11.50	1,300	7353996
	CA*F4860*6D*	G*VM961155DXB*	41,000	31,400	14.00	11.50	1,400	5621049
	CA*F4860*6D*	G*VC950905DXB*	41,000	31,400	14.00	11.50	1,400	5621027
	CA*F4860*6D*	A*VC951155DXB*	41,000	31,400	14.00	11.50	1,400	6497565
	CA*F4860*6D*	A*VC950905CXB*	41,000	31,400	14.00	11.50	1,400	6497563
	CA*F4860*6D*	G*VC950915DXB*	41,000	31,400	14.00	11.50	1,400	5621031
	CA*F4860*6D*	A*VM960604CXB*	41,000	31,400	14.00	11.50	1,400	5621035
	CA*F4860*6D*	GME951005DXA*	40,500	31,000	13.50	11.00	1,440	4703539
	CA*F4860*6D*	G*VM971005CNA*	41,000	31,400	14.00	11.50	1,300	7354002
	CA*F4860*6D*	G*VC960804CNA*	41,000	31,400	14.00	11.50	1,300	7353998
	CA*F4860*6D*	A*VC961205DNA*	40,500	31,000	14.00	11.50	1,250	7353994
	CA*F4860*6D*	A*VM961155DXB*	41,000	31,400	14.00	11.50	1,400	6497569
	CA*F4860*6D*	A*VC960804CNA*	41,000	31,400	14.00	11.50	1,300	7353992
	CA*F4860*6D*	A*VM960805DXB*	41,000	31,400	14.00	11.50	1,400	6497567
	CA*F4860*6D*	A*EC961205DNA*	40,000	30,600	13.50	11.30	1,400	7365417
	CA*F4860*6D*	A*EC961004CNA*	39,500	30,200	14.00	11.50	1,275	7365412
	CA*F4860*6D*	G*VM970804CNA*	41,000	31,400	14.00	11.50	1,300	7354001
	CA*F4860*6D*	G*EC961205DNA*	40,000	30,600	13.50	11.30	1,400	7365309
	CA*F4860*6D*	G*E80805C*B*	41,000	31,400	13.50	11.50	1,510	5039124
	CA*F4860*6D*	A*VM971205DNA*	40,500	31,000	14.00	11.50	1,250	7353997
	CA*F4860*6D*+EEP		41,000	31,400	13.00	11.00	1,400	3880267
	CA*F4860*6D*+MBVC1600**-1A*		41,000	31,400	14.00	11.50	1,400	3880314
	CA*F4860*6D*+TXV	A*EC961004CNA*	39,500	30,200	14.00	11.50	1,275	7365413
	CA*F4860*6D*+TXV	A*EC961205DNA*	40,000	30,600	14.00	11.50	1,400	7365418
	CA*F4860*6D*+TXV	G*VM971005CNA*	41,000	31,400	14.00	11.50	1,300	7354014
	CA*F4860*6D*+TXV	G*VM971205DNA*	40,500	31,000	14.00	11.50	1,250	7354015
	CA*F4860*6D*+TXV	G*VC961005CNA*	41,000	31,400	14.00	11.50	1,300	7354011
	CA*F4860*6D*+TXV	G*VC960804CNA*	41,000	31,400	14.00	11.50	1,300	7354010
	CA*F4860*6D*+TXV	G*VM970804CNA*	41,000	31,400	14.00	11.50	1,300	7354013
	CA*F4860*6D*+TXV	A*VC960804CNA*	41,000	31,400	14.00	11.50	1,300	7354004
	CA*F4860*6D*+TXV	A*VC961005CNA*	41,000	31,400	14.00	11.50	1,300	7354005
	CA*F4860*6D*+TXV	A*VC961205DNA*	40,500	31,000	14.00	11.50	1,250	7354006
	CA*F4860*6D*+TXV	A*VM970804CNA*	41,000	31,400	14.00	11.50	1,300	7354007
	CA*F4860*6D*+TXV	A*VM971005CNA*	41,000	31,400	14.00	11.50	1,300	7354008
	CA*F4860*6D*+TXV	G*VC961205DNA*	40,500	31,000	14.00	11.50	1,250	7354012
	CA*F4860*6D*+TXV	G*EC961004CNA*	39,500	30,200	14.00	11.50	1,275	7365305
	CA*F4860*6D*+TXV	G*EC961205DNA*	40,000	30,600	14.00	11.50	1,400	7365310
	CA*F4860*6D*+TXV	A*VM971205DNA*	40,500	31,000	14.00	11.50	1,250	7354009
	CA*F4961*6D*+EEP		41,000	31,400	13.00	11.00	1,400	4887677
	CAPT4961*4A*	G*VC950915DXB*	41,000	31,400	14.00	12.00	1,400	6945591
CAPT4961*4A*	A*VC961205DNA*	40,500	31,000	14.00	11.50	1,250	7354018	
CAPT4961*4A*	A*EC961004CNA*	39,500	30,200	14.00	11.50	1,275	7365414	
CAPT4961*4A*	G*VC961005CNA*	41,000	31,400	14.00	11.50	1,300	7354023	
CAPT4961*4A*	A*VM970804CNA*	41,000	31,400	14.00	11.50	1,300	7354019	
CAPT4961*4A*	G*E80603B*B*	41,000	31,400	13.50	11.50	1,355	6945520	
CAPT4961*4A*	G*VM960805DXB*	41,000	31,400	14.00	12.00	1,400	6945635	

See Notes on Page 55.

OUTDOOR UNIT	INDOOR UNITS		COOLING RATINGS				CFM	AHRI #
	COILS/AIR HANDLERS	FURNACES	TOTAL ¹	SENS. ¹	SEER ²	EER ³		
GSX13 0421B* (cont.)	CAPT4961*4A*	G*E81005C*B*	41,000	31,400	14.00	12.00	1,300	6945529
	CAPT4961*4A*	A*VC960804CNA*	41,000	31,400	14.00	11.50	1,300	7354016
	CAPT4961*4A*	G*VC950905DXB*	41,000	31,400	14.00	12.00	1,400	6945581
	CAPT4961*4A*	GME950805CXA*	40,500	31,000	14.00	12.00	1,400	6945672
	CAPT4961*4A*	A*VC950714CXB*	41,000	31,400	14.00	12.00	1,400	6945562
	CAPT4961*4A*	G*VM970804CNA*	41,000	31,400	14.00	11.50	1,300	7354025
	CAPT4961*4A*	G*VC960804CNA*	41,000	31,400	14.00	11.50	1,300	7354022
	CAPT4961*4A*	A*VM971205DNA*	40,500	31,000	14.00	11.50	1,250	7354021
	CAPT4961*4A*	A*VM961005DXB*	41,000	31,400	14.00	12.00	1,400	6945645
	CAPT4961*4A*	A*VM961155DXB*	41,000	31,400	14.00	12.00	1,400	6945655
	CAPT4961*4A*	ADVC80805C*B*	41,000	31,400	14.00	12.00	1,380	6945664
	CAPT4961*4A*	A*VC950905DXB*	41,000	31,400	14.00	12.00	1,400	6945580
	CAPT4961*4A*	G*VC961205DNA*	40,500	31,000	14.00	11.50	1,250	7354024
	CAPT4961*4A*	A*VM960805CXB*	41,000	31,400	14.00	12.00	1,400	6945624
	CAPT4961*4A*	G*EC961205DNA*	40,500	31,000	14.00	11.50	1,400	7365311
	CAPT4961*4A*	ADVC81005C*B*	41,000	31,400	14.00	12.00	1,405	6945668
	CAPT4961*4A*	A*VC961005CNA*	41,000	31,400	14.00	11.50	1,300	7354017
	CAPT4961*4A*	G*EC961004CNA*	39,500	30,200	14.00	11.50	1,275	7365306
	CAPT4961*4A*	G*VM961155DXB*	41,000	31,400	14.00	12.00	1,400	6945656
	CAPT4961*4A*	G*E80805C*B*	41,000	31,400	14.00	12.00	1,350	6945522
	CAPT4961*4A*	G*VC950704CXB*	41,000	31,400	14.00	12.00	1,400	6945551
	CAPT4961*4A*	A*VC950704CXB*	41,000	31,400	14.00	12.00	1,400	6945550
	CAPT4961*4A*	GME951005DXA*	41,000	31,400	14.00	12.00	1,440	6945678
	CAPT4961*4A*	G*VM971005CNA*	41,000	31,400	14.00	11.50	1,300	7354026
	CAPT4961*4A*	G*VM960603BXB*	40,500	31,000	13.50	11.50	1,320	6945611
	CAPT4961*4A*	A*VC80604B*B*	41,000	31,400	14.00	12.00	1,410	6945534
	CAPT4961*4A*	A*VC951155DXB*	41,000	31,400	14.00	12.00	1,425	6945600
	CAPT4961*4A*	G*VC951155DXB*	41,000	31,400	14.00	12.00	1,425	6945601
	CAPT4961*4A*	G*VM960604CXB*	41,000	31,400	14.00	12.00	1,400	6945615
	CAPT4961*4A*	A*EC961205DNA*	40,500	31,000	14.00	11.50	1,400	7365419
	CAPT4961*4A*	A*VC950915DXB*	41,000	31,400	14.00	12.00	1,400	6945590
	CAPT4961*4A*	G*VM971205DNA*	40,500	31,000	14.00	11.50	1,250	7354027
	CAPT4961*4A*	G*VM961005DXB*	41,000	31,400	14.00	12.00	1,400	6945646
	CAPT4961*4A*	A*VM960805DXB*	41,000	31,400	14.00	12.00	1,400	6945634
	CAPT4961*4A*	A*VM971005CNA*	41,000	31,400	14.00	11.50	1,300	7354020
	CAPT4961*4A*	A*VM960604CXB*	41,000	31,400	14.00	12.00	1,400	6945614
	CAPT4961*4A*	G*VC950714CXB*	41,000	31,400	14.00	12.00	1,400	6945563
	CAPT4961*4A*	A*VC81005C*B*	41,000	31,400	14.00	12.00	1,370	6945545
	CAPT4961*4A*	A*VC80805C*B*	41,000	31,400	14.00	12.00	1,395	6945540
	CAPT4961*4A*	A*VM960603BXB*	40,500	31,000	13.50	11.50	1,320	6945610
	CAPT4961*4A*	G*VM960805CXB*	41,000	31,400	14.00	12.00	1,400	6945625
	CAPT4961*4A*+EEP		40,500	31,000	13.00	11.00	1,400	5611311
	CAPT4961*4A*+MBVC1600**-1A*		41,000	31,400	14.00	11.50	1,375	5611312
	CAPT4961*4A*+MBVC2000**-1A*		41,000	31,400	14.00	11.50	1,400	5611313
	CHPF3642C6C*	A*EH800805C*A*	40,000	30,600	13.00	11.30	1,350	6944908
	CHPF3642C6C*	G*E80805C*B*	40,000	30,600	13.00	11.30	1,350	5039027
	CHPF3642C6C*+EEP		40,000	30,600	13.00	11.00	1,400	3539875
	CHPF3642D6C*	G*VM960805CXB*	40,000	30,600	13.50	11.30	1,400	5621042
	CHPF3642D6C*	A*VM960604CXB*	40,000	30,600	13.50	11.30	1,400	5621037
	CHPF3642D6C*	A*VM960805CXB*	40,000	30,600	13.50	11.30	1,400	6497572
CHPF3642D6C*	G*VC950905DXB*	40,000	30,600	13.50	11.30	1,400	5621028	
CHPF3642D6C*	G*VC91155DXA*	40,000	30,600	13.50	11.30	1,400	3597929	
CHPF3642D6C*	G*VM960604CXB*	40,000	30,600	13.50	11.30	1,400	5621038	
CHPF3642D6C*	A*VM960805DXB*	40,000	30,600	13.50	11.30	1,400	6497573	
CHPF3642D6C*	A*VC950905CXB*	40,000	30,600	13.50	11.30	1,400	6497570	
CHPF3642D6C*	G*VM960805DXB*	40,000	30,600	13.50	11.30	1,400	5621045	

See Notes on Page 55.

OUTDOOR UNIT	INDOOR UNITS		COOLING RATINGS				CFM	AHRI #
	COILS/AIR HANDLERS	FURNACES	TOTAL ¹	SENS. ¹	SEER ²	EER ³		
GSX13 0421B* (cont.)	CHPF3642D6C*	G*VC950905CXB*	40,000	30,600	13.50	11.30	1,400	5621024
	CHPF3642D6C*	A*VC950905DXB*	40,000	30,600	13.50	11.30	1,400	6497571
	CHPF3642D6C*+EEP		40,000	30,600	13.00	11.00	1,400	3539877
	CHPF3743C6B*	G*VC960804CNA*	40,500	31,000	13.50	11.30	1,300	7354032
	CHPF3743C6B*	G*VM971005CNA*	40,500	31,000	13.50	11.30	1,300	7354035
	CHPF3743C6B*	A*VC960804CNA*	40,500	31,000	13.50	11.30	1,300	7354028
	CHPF3743C6B*	A*VM970804CNA*	40,500	31,000	13.50	11.30	1,300	7354030
	CHPF3743C6B*	G*VM970804CNA*	40,500	31,000	13.50	11.30	1,300	7354034
	CHPF3743C6B*	A*VM971005CNA*	40,500	31,000	13.50	11.30	1,300	7354031
	CHPF3743C6B*	A*VC961005CNA*	40,500	31,000	13.50	11.30	1,300	7354029
	CHPF3743C6B*	G*VC961005CNA*	40,500	31,000	13.50	11.30	1,300	7354033
	CHPF3743C6B*+EEP		40,000	30,600	13.00	11.00	1,400	6497574
	CHPF3743C6B*+TXV	A*VM971005CNA*	40,500	31,000	14.00	11.50	1,300	7354039
	CHPF3743C6B*+TXV	G*VM971005CNA*	40,500	31,000	14.00	11.50	1,300	7354043
	CHPF3743C6B*+TXV	A*VC961005CNA*	40,500	31,000	14.00	11.50	1,300	7354037
	CHPF3743C6B*+TXV	A*VM970804CNA*	40,500	31,000	14.00	11.50	1,300	7354038
	CHPF3743C6B*+TXV	G*VM970804CNA*	40,500	31,000	14.00	11.50	1,300	7354042
	CHPF3743C6B*+TXV	A*VC960804CNA*	40,500	31,000	14.00	11.50	1,300	7354036
	CHPF3743C6B*+TXV	G*VC961005CNA*	40,500	31,000	14.00	11.50	1,300	7354041
	CHPF3743C6B*+TXV	G*VC960804CNA*	40,500	31,000	14.00	11.50	1,300	7354040
	CHPF3743D6B*	A*VC961205DNA*	40,000	30,600	13.50	11.30	1,250	7355023
	CHPF3743D6B*	G*VC961205DNA*	40,000	30,600	13.50	11.30	1,250	7355025
	CHPF3743D6B*	G*VM971205DNA*	40,000	30,600	13.50	11.30	1,250	7355026
	CHPF3743D6B*	A*VM971205DNA*	40,000	30,600	13.50	11.30	1,250	7355024
	CHPF3743D6B*+TXV	A*VM971205DNA*	40,000	30,600	14.00	11.50	1,250	7355028
	CHPF3743D6B*+TXV	G*VC961205DNA*	40,000	30,600	14.00	11.50	1,250	7355029
	CHPF3743D6B*+TXV	A*VC961205DNA*	40,000	30,600	14.00	11.50	1,250	7355027
	CHPF3743D6B*+TXV	G*VM971205DNA*	40,000	30,600	14.00	11.50	1,250	7355030
	CHPF4860D6D*	G*VC950905CXB*	41,000	31,400	14.00	11.50	1,400	5621025
	CHPF4860D6D*	GME950805CXA*	40,500	31,000	14.00	11.30	1,400	4703732
	CHPF4860D6D*	A*VM960805DXB*	41,000	31,400	14.00	11.50	1,400	6497579
	CHPF4860D6D*	A*VC961005CNA*	41,000	31,400	14.00	11.50	1,300	7354045
	CHPF4860D6D*	A*VC961205DNA*	40,500	31,000	14.00	11.50	1,250	7354046
	CHPF4860D6D*	G*VC960804CNA*	41,000	31,400	14.00	11.50	1,300	7354050
	CHPF4860D6D*	AMEH961005DXA*	40,500	31,000	13.50	11.00	1,440	6944914
	CHPF4860D6D*	G*VM960805CXB*	41,000	31,400	14.00	11.50	1,400	5621043
	CHPF4860D6D*	A*VC950905DXB*	41,000	31,400	14.00	11.50	1,400	6497576
	CHPF4860D6D*	G*EC961205DNA*	40,500	31,000	13.50	11.30	1,400	7365312
	CHPF4860D6D*	A*EC961205DNA*	40,500	31,000	13.50	11.30	1,400	7365420
	CHPF4860D6D*	A*VM960805CXB*	41,000	31,400	14.00	11.50	1,400	6497578
	CHPF4860D6D*	A*EH800805C*A*	41,000	31,400	13.50	11.50	1,510	6944910
	CHPF4860D6D*	G*VC951155DXB*	41,000	31,400	14.00	11.50	1,400	5621033
	CHPF4860D6D*	A*EC961004CNA*	39,500	30,200	14.00	11.50	1,275	7365415
	CHPF4860D6D*	A*VC960804CNA*	41,000	31,400	14.00	11.50	1,300	7354044
	CHPF4860D6D*	G*VM960604CXB*	41,000	31,400	14.00	11.50	1,400	5621040
	CHPF4860D6D*	G*VM971005CNA*	41,000	31,400	14.00	11.50	1,300	7354054
	CHPF4860D6D*	G*VM960805DXB*	41,000	31,400	14.00	11.50	1,400	5621046
	CHPF4860D6D*	G*VC961005CNA*	41,000	31,400	14.00	11.50	1,300	7354051
	CHPF4860D6D*	A*VM971005CNA*	41,000	31,400	14.00	11.50	1,300	7354048
	CHPF4860D6D*	G*VC950905DXB*	41,000	31,400	14.00	11.50	1,400	5621029
CHPF4860D6D*	G*VM970804CNA*	41,000	31,400	14.00	11.50	1,300	7354053	
CHPF4860D6D*	G*VM961155DXB*	41,000	31,400	14.00	11.50	1,400	5621050	
CHPF4860D6D*	GME951005DXA*	40,500	31,000	13.50	11.00	1,440	4703542	
CHPF4860D6D*	A*VM961005DXB*	41,000	31,400	14.00	11.50	1,400	6497580	
CHPF4860D6D*	A*VC950905CXB*	41,000	31,400	14.00	11.50	1,400	6497575	
CHPF4860D6D*	G*EC961004CNA*	39,500	30,200	14.00	11.50	1,275	7365307	
CHPF4860D6D*	G*VM971205DNA*	40,500	31,000	14.00	11.50	1,250	7354055	

See Notes on Page 55.

OUTDOOR UNIT	INDOOR UNITS		COOLING RATINGS				CFM	AHRI #
	COILS/AIR HANDLERS	FURNACES	TOTAL ¹	SENS. ¹	SEER ²	EER ³		
	CHPF4860D6D*	G*VC961205DNA*	40,500	31,000	14.00	11.50	1,250	7354052
	CHPF4860D6D*	A*VM961155DXB*	41,000	31,400	14.00	11.50	1,400	6497581
	CHPF4860D6D*	A*VC951155DXB*	41,000	31,400	14.00	11.50	1,400	6497577
	CHPF4860D6D*	A*VM971205DNA*	40,500	31,000	14.00	11.50	1,250	7354049
	CHPF4860D6D*	G*E80805C*B*	41,000	31,400	13.50	11.50	1,510	5038972
	CHPF4860D6D*	G*VM961005DXB*	41,000	31,400	14.00	11.50	1,400	5621048
	CHPF4860D6D*	A*VM960604CXB*	41,000	31,400	14.00	11.50	1,400	5621039
	CHPF4860D6D*	AMEH960805CXA*	40,500	31,000	14.00	11.30	1,400	6944912
	CHPF4860D6D*	A*VM970804CNA*	41,000	31,400	14.00	11.50	1,300	7354047
	CHPF4860D6D*+EEP		41,000	31,400	13.00	11.00	1,400	3539879
	CHPF4860D6D*+MBVC1600*-1A*		41,000	31,400	14.00	11.50	1,400	3609448
	CHPF4860D6D*+TXV	A*VM970804CNA*	41,000	31,400	14.00	11.50	1,300	7354059
	CHPF4860D6D*+TXV	G*EC961205DNA*	40,500	31,000	14.00	11.50	1,400	7365313
	CHPF4860D6D*+TXV	G*VC961005CNA*	41,000	31,400	14.00	11.50	1,300	7354063
	CHPF4860D6D*+TXV	A*EC961205DNA*	40,500	31,000	14.00	11.50	1,400	7365421
	CHPF4860D6D*+TXV	G*VC961205DNA*	40,500	31,000	14.00	11.50	1,250	7354064
	CHPF4860D6D*+TXV	A*EC961004CNA*	39,500	30,200	14.00	11.50	1,275	7365416
	CHPF4860D6D*+TXV	A*VM971205DNA*	40,500	31,000	14.00	11.50	1,250	7354061
	CHPF4860D6D*+TXV	G*EC961004CNA*	39,500	30,200	14.00	11.50	1,275	7365308
	CHPF4860D6D*+TXV	A*VC961005CNA*	41,000	31,400	14.00	11.50	1,300	7354057
	CHPF4860D6D*+TXV	G*VC960804CNA*	41,000	31,400	14.00	11.50	1,300	7354062
	CHPF4860D6D*+TXV	A*VC960804CNA*	41,000	31,400	14.00	11.50	1,300	7354056
	CHPF4860D6D*+TXV	A*VC961205DNA*	40,500	31,000	14.00	11.50	1,250	7354058
	CHPF4860D6D*+TXV	G*VM971005CNA*	41,000	31,400	14.00	11.50	1,300	7354066
	CHPF4860D6D*+TXV	G*VM970804CNA*	41,000	31,400	14.00	11.50	1,300	7354065
	CHPF4860D6D*+TXV	G*VM971205DNA*	40,500	31,000	14.00	11.50	1,250	7354067
	CHPF4860D6D*+TXV	A*VM971005CNA*	41,000	31,400	14.00	11.50	1,300	7354060
GSX13	CSCF3642N6D*+EEP		40,000	30,600	13.00	11.00	1,325	4767422
0421B*	CSCF4860N6D*	A*VM970804CNA*	41,000	31,400	13.50	11.30	1,300	7354071
(cont.)	CSCF4860N6D*	G*VM971005CNA*	41,000	31,400	13.50	11.50	1,300	7354078
	CSCF4860N6D*	G*VC951155DXB*	41,000	31,400	13.50	11.30	1,425	5621034
	CSCF4860N6D*	A*VM971005CNA*	41,000	31,400	13.50	11.50	1,300	7354072
	CSCF4860N6D*	A*VC951155DXB*	41,000	31,400	13.50	11.30	1,425	6497582
	CSCF4860N6D*	G*VC961205DNA*	40,500	31,000	13.50	11.30	1,250	7354076
	CSCF4860N6D*	A*VC960804CNA*	41,000	31,400	13.50	11.30	1,300	7354068
	CSCF4860N6D*	A*VC961205DNA*	40,500	31,000	13.50	11.30	1,250	7354070
	CSCF4860N6D*	A*VM971205DNA*	40,500	31,000	13.50	11.30	1,250	7354073
	CSCF4860N6D*	G*VM971205DNA*	40,500	31,000	13.50	11.30	1,250	7354079
	CSCF4860N6D*	G*VM970804CNA*	41,000	31,400	13.50	11.30	1,300	7354077
	CSCF4860N6D*	G*VC960804CNA*	41,000	31,400	13.50	11.30	1,300	7354074
	CSCF4860N6D*	A*VC961005CNA*	41,000	31,400	13.50	11.50	1,300	7354069
	CSCF4860N6D*	G*VC961005CNA*	41,000	31,400	13.50	11.50	1,300	7354075
	CSCF4860N6D*	G*VC950905CXB*	41,000	31,400	13.50	11.30	1,450	5621026
	CSCF4860N6D*+EEP		41,000	31,400	13.00	11.00	1,325	4767426
	CSCF4860N6D*+TXV	G*VM971205DNA*	40,500	31,000	14.00	11.50	1,250	7354091
	CSCF4860N6D*+TXV	A*VM971005CNA*	41,000	31,400	14.00	11.50	1,300	7354084
	CSCF4860N6D*+TXV	A*VM971205DNA*	40,500	31,000	14.00	11.50	1,250	7354085
	CSCF4860N6D*+TXV	G*VM970804CNA*	41,000	31,400	14.00	11.50	1,300	7354089
	CSCF4860N6D*+TXV	G*VC961205DNA*	40,500	31,000	14.00	11.50	1,250	7354088
	CSCF4860N6D*+TXV	A*VM970804CNA*	41,000	31,400	14.00	11.50	1,300	7354083
	CSCF4860N6D*+TXV	G*VM971005CNA*	41,000	31,400	14.00	11.50	1,300	7354090
	CSCF4860N6D*+TXV	A*VC961005CNA*	41,000	31,400	14.00	11.50	1,300	7354081
	CSCF4860N6D*+TXV	A*VC961205DNA*	40,500	31,000	14.00	11.50	1,250	7354082
	CSCF4860N6D*+TXV	G*VC960804CNA*	41,000	31,400	14.00	11.50	1,300	7354086
	CSCF4860N6D*+TXV	G*VC961005CNA*	41,000	31,400	14.00	11.50	1,300	7354087
	CSCF4860N6D*+TXV	A*VC960804CNA*	41,000	31,400	14.00	11.50	1,300	7354080
	DV48PTCC14A*		39,500	30,200	13.50	11.50	1,300	7079220

See Notes on Page 55.

OUTDOOR UNIT	INDOOR UNITS		COOLING RATINGS				CFM	AHRI #
	COILS/AIR HANDLERS	FURNACES	TOTAL ¹	SENS. ¹	SEER ²	EER ³		
GSX13 0481B*	ARPT48D14A*		46,000	35,200	13.50	11.00	1,475	5360117
	ARPT60D14A*		46,000	35,200	13.50	11.00	1,500	5360118
	ARUF48D14A*		44,500	34,200	13.00	11.00	1,550	5360119
	ARUF48D14A*+TXV		44,500	34,200	13.00	11.00	1,550	5378542
	ARUF60D14A*		44,500	34,200	13.00	11.00	1,460	5360120
	ARUF60D14A*+TXV		44,500	34,200	13.00	11.00	1,460	5378543
	ASPT48C14A*		44,000	33,800	13.00	11.00	1,400	7079221
	ASPT48D14A*		46,000	35,200	13.80	11.30	1,600	5796511
	ASPT60D14A*		46,000	35,200	13.80	11.30	1,600	5722556
	ASUF49C14A*		43,000	33,000	13.00	11.00	1,435	5620405
	ASUF49C14A*+TXV		43,000	33,000	13.30	11.00	1,435	5620406
	AVPTC48C14A*		44,000	33,800	13.00	11.00	1,450	7079222
	AVPTC48D14A*		46,000	35,200	13.80	11.30	1,615	5924446
	CA*F4860*6D*+EEP		46,000	35,200	13.00	11.00	1,600	4214133
	CA*F4860*6D*+MBVC2000**-1A*		46,000	35,200	14.00	11.30	1,600	3880321
	CA*F4860*6D*+TXV	G*VM961005DXB*	46,000	35,200	14.00	11.30	1,620	5621072
	CA*F4860*6D*+TXV	G*VC950905CXB*	46,000	35,200	14.00	11.30	1,620	5621053
	CA*F4860*6D*+TXV	A*VC950915DXB*	46,000	35,200	14.00	11.30	1,620	5621059
	CA*F4860*6D*+TXV	G*E81005C*B*	46,000	35,200	13.50	11.30	1,570	5039261
	CA*F4860*6D*+TXV	A*VC950714CXB*	46,000	35,200	14.00	11.30	1,550	5621051
	CA*F4860*6D*+TXV	A*EH800805C*A*	46,000	35,200	13.50	11.30	1,650	6944916
	CA*F4860*6D*+TXV	A*VC951155DXB*	46,000	35,200	14.00	11.30	1,620	6497585
	CA*F4860*6D*+TXV	AMEH960805CXA*	45,500	34,800	14.00	11.30	1,550	6944920
	CA*F4860*6D*+TXV	G*VC950915DXB*	46,000	35,200	14.00	11.30	1,620	5621060
	CA*F4860*6D*+TXV	A*VM960604CXB*	46,000	35,200	14.00	11.30	1,550	5621064
	CA*F4860*6D*+TXV	A*VM961005DXB*	46,000	35,200	14.00	11.30	1,620	6497588
	CA*F4860*6D*+TXV	G*VC950905DXB*	46,000	35,200	14.00	11.30	1,620	5621056
	CA*F4860*6D*+TXV	A*VM961155DXB*	46,000	35,200	14.00	11.30	1,620	6497589
	CA*F4860*6D*+TXV	G*EC961004CNA*	46,000	35,200	14.00	11.50	1,550	7365314
	CA*F4860*6D*+TXV	G*VC951155DXB*	46,000	35,200	14.00	11.30	1,620	5621061
	CA*F4860*6D*+TXV	A*EC961004CNA*	46,000	35,200	14.00	11.50	1,550	7365422
	CA*F4860*6D*+TXV	G*VM960805CXB*	46,000	35,200	14.00	11.30	1,620	5621068
	CA*F4860*6D*+TXV	AMEH961005DXA*	45,500	34,800	13.70	11.30	1,650	6944921
	CA*F4860*6D*+TXV	A*VC950905DXB*	46,000	35,200	14.00	11.30	1,620	6497584
	CA*F4860*6D*+TXV	G*VM960805DXB*	46,000	35,200	14.00	11.30	1,620	5621070
	CA*F4860*6D*+TXV	G*VC950714CXB*	46,000	35,200	14.00	11.30	1,620	5621052
	CA*F4860*6D*+TXV	G*VM961155DXB*	46,000	35,200	14.00	11.30	1,620	5621074
	CA*F4860*6D*+TXV	A*EH801005C*A*	46,000	35,200	13.50	11.30	1,570	6944918
	CA*F4860*6D*+TXV	GME951005DXA*	45,500	34,800	13.70	11.30	1,650	4703548
	CA*F4860*6D*+TXV	GME950805CXA*	45,500	34,800	14.00	11.30	1,550	4703516
	CA*F4860*6D*+TXV	A*VC950905CXB*	46,000	35,200	14.00	11.30	1,620	6497583
	CA*F4860*6D*+TXV	A*VM960805CXB*	46,000	35,200	14.00	11.30	1,620	6497586
	CA*F4860*6D*+TXV	G*VM960604CXB*	46,000	35,200	14.00	11.30	1,620	5621065
	CA*F4860*6D*+TXV	G*E80805C*B*	46,000	35,200	13.50	11.30	1,650	5039233
	CA*F4860*6D*+TXV	A*VM960805DXB*	46,000	35,200	14.00	11.30	1,620	6497587
	CA*F4961*6D*	G*EC961205DNA*	45,500	34,800	14.00	11.50	1,525	7365319
	CA*F4961*6D*	A*EC961205DNA*	45,500	34,800	14.00	11.50	1,525	7365427
	CA*F4961*6D*+EEP		46,000	35,200	13.00	11.00	1,600	5685098
	CA*F4961*6D*+TXV	A*EC961205DNA*	46,000	35,200	14.00	11.50	1,525	7365428
	CA*F4961*6D*+TXV	A*VM971205DNA*	46,000	35,200	14.00	11.50	1,575	7354097
CA*F4961*6D*+TXV	A*EC961004CNA*	46,000	35,200	14.00	11.50	1,550	7365423	
CA*F4961*6D*+TXV	A*VM970804CNA*	45,000	34,600	14.00	11.50	1,585	7354095	
CA*F4961*6D*+TXV	G*VM971205DNA*	46,000	35,200	14.00	11.50	1,575	7354103	
CA*F4961*6D*+TXV	G*VM971005CNA*	45,000	34,600	14.00	11.50	1,520	7354102	
CA*F4961*6D*+TXV	G*EC961004CNA*	46,000	35,200	14.00	11.50	1,550	7365315	
CA*F4961*6D*+TXV	A*VC961205DNA*	46,000	35,200	14.00	11.50	1,575	7354094	

See Notes on Page 55.

OUTDOOR UNIT	INDOOR UNITS		COOLING RATINGS				CFM	AHRI #
	COILS/AIR HANDLERS	FURNACES	TOTAL ¹	SENS. ¹	SEER ²	EER ³		
GSX13 0481B* (cont.)	CA*F4961*6D*+TXV	G*EC961205DNA*	46,000	35,200	14.00	11.50	1,525	7365320
	CA*F4961*6D*+TXV	G*VC960804CNA*	45,000	34,600	14.00	11.50	1,585	7354098
	CA*F4961*6D*+TXV	A*VM971005CNA*	45,000	34,600	14.00	11.50	1,520	7354096
	CA*F4961*6D*+TXV	A*VC960804CNA*	45,000	34,600	14.00	11.50	1,585	7354092
	CA*F4961*6D*+TXV	A*VC961005CNA*	45,000	34,600	14.00	11.50	1,520	7354093
	CA*F4961*6D*+TXV	G*VM970804CNA*	45,000	34,600	14.00	11.50	1,585	7354101
	CA*F4961*6D*+TXV	G*VC961005CNA*	45,000	34,600	14.00	11.50	1,520	7354099
	CA*F4961*6D*+TXV	G*VC961205DNA*	46,000	35,200	14.00	11.50	1,575	7354100
	CAPT4961*4A*	G*VC961005CNA*	45,000	34,600	14.00	11.50	1,520	7354111
	CAPT4961*4A*	A*VM961155DXB*	47,000	36,000	13.50	11.50	1,620	6945657
	CAPT4961*4A*	G*VC950704CXB*	47,000	36,000	13.00	11.00	1,650	6945553
	CAPT4961*4A*	A*VM960805CXB*	47,000	36,000	13.00	11.00	1,620	6945626
	CAPT4961*4A*	A*VC950714CXB*	46,000	35,200	13.00	11.00	1,550	6945564
	CAPT4961*4A*	A*VC950915DXB*	46,000	35,200	13.50	11.50	1,575	6945592
	CAPT4961*4A*	ADVC80805C*B*	47,000	36,000	13.50	11.50	1,585	6945665
	CAPT4961*4A*	A*VC961205DNA*	46,000	35,200	14.00	11.50	1,575	7354106
	CAPT4961*4A*	A*VM961005DXB*	47,000	36,000	13.00	11.00	1,620	6945647
	CAPT4961*4A*	G*VC951155DXB*	47,000	36,000	13.50	11.50	1,550	6945603
	CAPT4961*4A*	A*VC950905CXB*	47,000	36,000	13.00	11.00	1,575	6945574
	CAPT4961*4A*	A*VC80604B*B*	47,000	36,000	13.50	11.50	1,545	6945535
	CAPT4961*4A*	G*VC961205DNA*	46,000	35,200	14.00	11.50	1,575	7354112
	CAPT4961*4A*	A*VC80805C*B*	47,000	36,000	13.50	11.50	1,590	6945541
	CAPT4961*4A*	G*VM960805CXB*	47,000	36,000	13.00	11.00	1,620	6945627
	CAPT4961*4A*	GME950805CXA*	47,000	36,000	13.00	11.00	1,550	6945673
	CAPT4961*4A*	G*VM960604CXB*	47,000	36,000	13.00	11.00	1,550	6945617
	CAPT4961*4A*	A*VM960604CXB*	47,000	36,000	13.00	11.00	1,550	6945616
	CAPT4961*4A*	A*VC961005CNA*	45,000	34,600	14.00	11.50	1,520	7354105
	CAPT4961*4A*	A*VM971005CNA*	45,000	34,600	14.00	11.50	1,520	7354108
	CAPT4961*4A*	A*VC81005C*B*	47,000	36,000	13.50	11.50	1,600	6945546
	CAPT4961*4A*	ADVC81005C*B*	47,000	36,000	13.50	11.50	1,620	6945669
	CAPT4961*4A*	G*VM971205DNA*	46,000	35,200	14.00	11.50	1,575	7354115
	CAPT4961*4A*	G*EC961205DNA*	46,000	35,200	13.50	11.30	1,525	7365321
	CAPT4961*4A*	G*VC960804CNA*	45,000	34,600	13.50	11.30	1,585	7354110
	CAPT4961*4A*	A*VC950704CXB*	47,000	36,000	13.00	11.00	1,650	6945552
	CAPT4961*4A*	G*VC950905DXB*	47,000	36,000	13.50	11.50	1,575	6945583
	CAPT4961*4A*	G*VM960805DXB*	47,000	36,000	13.50	11.50	1,620	6945637
	CAPT4961*4A*	A*EC961004CNA*	46,000	35,200	14.00	11.50	1,550	7365424
	CAPT4961*4A*	A*VM971205DNA*	46,000	35,200	14.00	11.50	1,575	7354109
	CAPT4961*4A*	G*VC950905CXB*	47,000	36,000	13.00	11.00	1,575	6945575
	CAPT4961*4A*	A*VM970804CNA*	45,000	34,600	13.50	11.30	1,585	7354107
	CAPT4961*4A*	G*VM971005CNA*	45,000	34,600	14.00	11.50	1,520	7354114
	CAPT4961*4A*	G*VC950714CXB*	46,000	35,200	13.00	11.00	1,550	6945565
	CAPT4961*4A*	A*VC950905DXB*	47,000	36,000	13.50	11.50	1,575	6945582
	CAPT4961*4A*	G*VM970804CNA*	45,000	34,600	13.50	11.30	1,585	7354113
	CAPT4961*4A*	G*VC950915DXB*	46,000	35,200	13.50	11.50	1,575	6945593
	CAPT4961*4A*	GME951005DXA*	47,000	36,000	13.50	11.50	1,650	6945679
	CAPT4961*4A*	G*E80805C*B*	46,000	35,200	13.50	11.50	1,480	6945523
	CAPT4961*4A*	G*E81005C*B*	47,000	36,000	13.50	11.50	1,570	6945530
	CAPT4961*4A*	A*EC961205DNA*	46,000	35,200	13.50	11.30	1,525	7365429
	CAPT4961*4A*	A*VC951155DXB*	47,000	36,000	13.50	11.50	1,550	6945602
CAPT4961*4A*	A*VC960804CNA*	45,000	34,600	13.50	11.30	1,585	7354104	
CAPT4961*4A*	A*VM960805DXB*	47,000	36,000	13.50	11.50	1,620	6945636	
CAPT4961*4A*	G*EC961004CNA*	46,000	35,200	14.00	11.50	1,550	7365316	
CAPT4961*4A*	G*VM961005DXB*	47,000	36,000	13.00	11.00	1,620	6945648	
CAPT4961*4A*+EPP			46,500	35,600	13.00	11.00	1,600	5611314
CAPT4961*4A*+MBVC1600**-1A*			47,000	36,000	14.00	11.50	1,500	5611315

See Notes on Page 55.

OUTDOOR UNIT	INDOOR UNITS		COOLING RATINGS				CFM	AHRI #
	COILS/AIR HANDLERS	FURNACES	TOTAL ¹	SENS. ¹	SEER ²	EER ³		
GSX13 0481B* (cont.)	CAPT4961*4A*+MBVC2000**-1A*		47,000	36,000	14.00	11.50	1,550	5611316
	CHPF4860D6D*	A*EC961004CNA*	45,500	34,800	13.50	11.50	1,550	7365425
	CHPF4860D6D*	G*EC961205DNA*	45,500	34,800	13.50	11.30	1,525	7365322
	CHPF4860D6D*	G*EC961004CNA*	45,500	34,800	13.50	11.50	1,550	7365317
	CHPF4860D6D*	A*EC961205DNA*	45,500	34,800	13.50	11.30	1,525	7365430
	CHPF4860D6D*+EEP		46,000	35,200	13.00	11.00	1,600	3539868
	CHPF4860D6D*+MBVC2000**-1A*		46,000	35,200	14.00	11.30	1,600	3609452
	CHPF4860D6D*+TXV	G*EC961004CNA*	45,500	34,800	14.00	11.50	1,550	7365318
	CHPF4860D6D*+TXV	G*VM960805DXB*	46,000	35,200	14.00	11.30	1,620	5621071
	CHPF4860D6D*+TXV	A*VM971005CNA*	45,000	34,600	14.00	11.50	1,520	7354120
	CHPF4860D6D*+TXV	G*VM961005DXB*	46,000	35,200	14.00	11.30	1,620	5621073
	CHPF4860D6D*+TXV	A*VC950905CXB*	46,000	35,200	14.00	11.30	1,620	6497590
	CHPF4860D6D*+TXV	A*EH801005C*A*	46,000	35,200	13.50	11.30	1,570	6944925
	CHPF4860D6D*+TXV	A*EC961205DNA*	45,500	34,800	14.00	11.50	1,525	7365431
	CHPF4860D6D*+TXV	G*VC961005CNA*	45,000	34,600	14.00	11.50	1,520	7354123
	CHPF4860D6D*+TXV	A*VC951155DXB*	46,000	35,200	14.00	11.30	1,620	6497592
	CHPF4860D6D*+TXV	A*VC960804CNA*	45,000	34,600	14.00	11.50	1,585	7354116
	CHPF4860D6D*+TXV	A*VM970804CNA*	45,000	34,600	14.00	11.50	1,585	7354119
	CHPF4860D6D*+TXV	G*VM961155DXB*	46,000	35,200	14.00	11.30	1,620	5621075
	CHPF4860D6D*+TXV	G*VM971005CNA*	45,000	34,600	14.00	11.50	1,520	7354126
	CHPF4860D6D*+TXV	A*VM960805DXB*	46,000	35,200	14.00	11.30	1,620	6497594
	CHPF4860D6D*+TXV	A*VM961005DXB*	46,000	35,200	14.00	11.30	1,620	6497595
	CHPF4860D6D*+TXV	A*VM961005DXB*	46,000	35,200	14.00	11.30	1,620	6497595
	CHPF4860D6D*+TXV	G*VC950905CXB*	46,000	35,200	14.00	11.30	1,620	5621054
	CHPF4860D6D*+TXV	AMEH961005DXA*	45,500	34,800	13.70	11.30	1,650	6944928
	CHPF4860D6D*+TXV	G*VM971205DNA*	46,000	35,200	14.00	11.50	1,575	7354127
	CHPF4860D6D*+TXV	G*VC960804CNA*	45,000	34,600	14.00	11.50	1,585	7354122
	CHPF4860D6D*+TXV	AMEH960805CXA*	45,500	34,800	14.00	11.30	1,550	6944927
	CHPF4860D6D*+TXV	A*VM971205DNA*	46,000	35,200	14.00	11.50	1,575	7354121
	CHPF4860D6D*+TXV	A*VM961155DXB*	46,000	35,200	14.00	11.30	1,620	6497596
	CHPF4860D6D*+TXV	A*EC961004CNA*	45,500	34,800	14.00	11.50	1,550	7365426
	CHPF4860D6D*+TXV	GME951005DXA*	45,500	34,800	13.70	11.30	1,650	4703552
	CHPF4860D6D*+TXV	G*VM960604CXB*	46,000	35,200	14.00	11.30	1,620	5621067
	CHPF4860D6D*+TXV	G*VC961205DNA*	46,000	35,200	14.00	11.50	1,575	7354124
	CHPF4860D6D*+TXV	A*VC950905DXB*	46,000	35,200	14.00	11.30	1,620	6497591
	CHPF4860D6D*+TXV	G*E81005C*B*	46,000	35,200	13.50	11.30	1,570	5038912
	CHPF4860D6D*+TXV	GME950805CXA*	45,500	34,800	14.00	11.30	1,550	4703518
	CHPF4860D6D*+TXV	A*VC961005CNA*	45,000	34,600	14.00	11.50	1,520	7354117
	CHPF4860D6D*+TXV	G*E80805C*B*	46,000	35,200	13.50	11.30	1,650	5039110
	CHPF4860D6D*+TXV	A*VM960805CXB*	46,000	35,200	14.00	11.30	1,620	6497593
	CHPF4860D6D*+TXV	A*EH800805C*A*	46,000	35,200	13.50	11.30	1,650	6944923
	CHPF4860D6D*+TXV	A*VC961205DNA*	46,000	35,200	14.00	11.50	1,575	7354118
CHPF4860D6D*+TXV	G*VM970804CNA*	45,000	34,600	14.00	11.50	1,585	7354125	
CHPF4860D6D*+TXV	G*EC961205DNA*	45,500	34,800	14.00	11.50	1,525	7365323	
CHPF4860D6D*+TXV	G*VC950905DXB*	46,000	35,200	14.00	11.30	1,620	5621057	
CHPF4860D6D*+TXV	G*VM960805CXB*	46,000	35,200	14.00	11.30	1,620	5621069	
CHPF4860D6D*+TXV	A*VM960604CXB*	46,000	35,200	14.00	11.30	1,550	5621066	
CHPF4860D6D*+TXV	G*VC951155DXB*	46,000	35,200	14.00	11.30	1,620	5621062	
CSCF4860N6D*+EEP		46,000	35,200	13.00	11.00	1,600	4767427	
CSCF4860N6D*+TXV	A*VM971205DNA*	45,500	34,800	14.00	11.50	1,575	7354133	
CSCF4860N6D*+TXV	G*VM971205DNA*	45,500	34,800	14.00	11.50	1,575	7354139	
CSCF4860N6D*+TXV	G*VM970804CNA*	44,500	34,200	13.50	11.30	1,585	7354137	
CSCF4860N6D*+TXV	G*VC951155DXB*	46,000	35,200	14.00	11.30	1,550	5621063	
CSCF4860N6D*+TXV	A*VC960804CNA*	44,500	34,200	13.50	11.30	1,585	7354128	
CSCF4860N6D*+TXV	G*VC961205DNA*	45,500	34,800	14.00	11.50	1,575	7354136	
CSCF4860N6D*+TXV	G*VM971005CNA*	44,500	34,200	14.00	11.50	1,520	7354138	
CSCF4860N6D*+TXV	A*VC950905CXB*	46,000	35,200	14.00	11.30	1,575	6497597	

See Notes on Page 55.

OUTDOOR UNIT	INDOOR UNITS		COOLING RATINGS				CFM	AHRI #
	COILS/AIR HANDLERS	FURNACES	TOTAL ¹	SENS. ¹	SEER ²	EER ³		
GSX13 0481B* (cont.)	CSCF4860N6D*+TXV	G*VC950905DXB*	46,000	35,200	14.00	11.30	1,575	5621058
	CSCF4860N6D*+TXV	G*VC950905CXB*	46,000	35,200	14.00	11.30	1,575	5621055
	CSCF4860N6D*+TXV	G*VC960804CNA*	44,500	34,200	13.50	11.30	1,585	7354134
	CSCF4860N6D*+TXV	A*VM970804CNA*	44,500	34,200	13.50	11.30	1,585	7354131
	CSCF4860N6D*+TXV	A*VC961005CNA*	44,500	34,200	14.00	11.50	1,520	7354129
	CSCF4860N6D*+TXV	A*VM971005CNA*	44,500	34,200	14.00	11.50	1,520	7354132
	CSCF4860N6D*+TXV	A*VC950905DXB*	46,000	35,200	14.00	11.30	1,575	6497598
	CSCF4860N6D*+TXV	A*VC951155DXB*	46,000	35,200	14.00	11.30	1,550	6497599
	CSCF4860N6D*+TXV	A*VC961205DNA*	45,500	34,800	14.00	11.50	1,575	7354130
	CSCF4860N6D*+TXV	G*VC961005CNA*	44,500	34,200	14.00	11.50	1,520	7354135
DV48PTCC14A*		44,000	33,800	13.00	11.00	1,450	7079223	
GSX13 0601B*	ASPT60D14A*		56,000	40,000	13.00	11.00	1,700	6349241
	ASUF59D14A*		54,000	38,500	13.00	11.00	1,580	5600192
	AVPTC60D14A*		56,000	40,000	13.00	11.00	1,750	6349242
	CA*F4961*6D*+EEP		55,500	39,500	13.00	11.00	1,650	4945868
	CA*F4961*6D*+MBVC2000**-1A*		56,000	40,000	13.50	11.50	1,650	4431670
	CA*F4961*6D*+MBVC2000**-1A*+TXV		56,000	40,000	13.50	11.50	1,750	4431671
	CA*F4961*6D*+TXV	G*VC951155DXB*	54,500	38,500	13.40	11.20	1,620	5621090
	CA*F4961*6D*+TXV	G*VC961005CNA*	54,000	38,500	13.00	11.00	1,600	7354147
	CA*F4961*6D*+TXV	G*VM971205DNA*	54,000	38,500	13.50	11.50	1,585	7354151
	CA*F4961*6D*+TXV	A*VM960805CXB*	55,000	39,000	13.00	11.00	1,700	6497603
	CA*F4961*6D*+TXV	A*VC80805C*B*	55,500	39,500	13.30	11.20	1,800	5039235
	CA*F4961*6D*+TXV	G*VM960805DXB*	55,000	39,000	13.00	11.00	1,700	5621098
	CA*F4961*6D*+TXV	G*E81005C*B*	55,000	39,000	13.30	11.20	1,720	5038893
	CA*F4961*6D*+TXV	G*VM961005DXB*	54,500	38,500	13.40	11.20	1,620	5621101
	CA*F4961*6D*+TXV	G*VM971005CNA*	54,000	38,500	13.00	11.00	1,600	7354150
	CA*F4961*6D*+TXV	G*E80805C*B*	54,500	38,500	13.30	11.20	1,650	5038979
	CA*F4961*6D*+TXV	A*VC960804CNA*	54,000	38,500	13.50	11.00	1,585	7354140
	CA*F4961*6D*+TXV	A*EH801005C*A*	55,000	39,000	13.30	11.20	1,720	6944932
	CA*F4961*6D*+TXV	G*VM970804CNA*	54,000	38,500	13.50	11.00	1,585	7354149
	CA*F4961*6D*+TXV	G*VC950714CXB*	55,000	39,000	13.00	11.00	1,700	5621077
	CA*F4961*6D*+TXV	G*VC960804CNA*	54,000	38,500	13.50	11.00	1,585	7354146
	CA*F4961*6D*+TXV	G*VC950905DXB*	55,000	39,000	13.00	11.00	1,700	5621083
	CA*F4961*6D*+TXV	A*VC81005C*B*	55,500	39,500	13.30	11.20	1,800	5039112
	CA*F4961*6D*+TXV	A*EC961205DNA*	56,500	40,000	13.00	11.00	1,950	7365432
	CA*F4961*6D*+TXV	A*VM970804CNA*	54,000	38,500	13.50	11.00	1,585	7354143
	CA*F4961*6D*+TXV	A*VM971205DNA*	54,000	38,500	13.50	11.50	1,585	7354145
	CA*F4961*6D*+TXV	G*VC81005C*B*	55,500	39,500	13.30	11.20	1,700	5038945
	CA*F4961*6D*+TXV	A*VM971005CNA*	54,000	38,500	13.00	11.00	1,600	7354144
	CA*F4961*6D*+TXV	A*VC950905DXB*	55,000	39,000	13.00	11.00	1,700	6497601
	CA*F4961*6D*+TXV	A*VC950915DXB*	55,000	39,000	13.00	11.00	1,700	5621086
	CA*F4961*6D*+TXV	G*VM960805CXB*	55,000	39,000	13.00	11.00	1,700	5621095
	CA*F4961*6D*+TXV	A*VM961155DXB*	54,500	38,500	13.40	11.20	1,620	6497605
	CA*F4961*6D*+TXV	G*VM961155DXB*	54,500	38,500	13.40	11.20	1,620	5621104
	CA*F4961*6D*+TXV	G*VC961205DNA*	54,000	38,500	13.50	11.50	1,585	7354148
	CA*F4961*6D*+TXV	A*VC961005CNA*	54,000	38,500	13.00	11.00	1,600	7354141
	CA*F4961*6D*+TXV	G*EC961205DNA*	56,500	40,000	13.00	11.00	1,950	7365324
	CA*F4961*6D*+TXV	G*VC950905CXB*	55,000	39,000	13.00	11.00	1,700	5621080
	CA*F4961*6D*+TXV	A*VC951155DXB*	54,500	38,500	13.40	11.20	1,620	6497602
	CA*F4961*6D*+TXV	A*VC950714CXB*	55,000	39,000	13.00	11.00	1,700	5621076
	CA*F4961*6D*+TXV	G*VC950915DXB*	55,000	39,000	13.00	11.00	1,700	5621087
CA*F4961*6D*+TXV	A*VM961005DXB*	54,500	38,500	13.40	11.20	1,620	6497604	
CA*F4961*6D*+TXV	A*EH800805C*A*	54,500	38,500	13.30	11.20	1,650	6944930	
CA*F4961*6D*+TXV	G*VC80805C*B*	55,500	39,500	13.30	11.20	1,700	5039111	
CA*F4961*6D*+TXV	A*VC961205DNA*	54,000	38,500	13.50	11.50	1,585	7354142	
CA*F4961*6D*+TXV	A*VC950905CXB*	55,000	39,000	13.00	11.00	1,700	6497600	

See Notes on Page 55.

OUTDOOR UNIT	INDOOR UNITS		COOLING RATINGS				CFM	AHRI #
	COILS/AIR HANDLERS	FURNACES	TOTAL ¹	SENS. ¹	SEER ²	EER ³		
GSX13 0601B* (cont.)	CAPT4961*4A*	G*VM971205DNA*	54,000	38,500	13.00	11.00	1,585	7354163
	CAPT4961*4A*	G*VC81005C*B*	55,500	39,500	13.00	11.00	1,625	5520639
	CAPT4961*4A*	G*E80805C*B*	54,500	38,500	13.00	11.00	1,675	5520636
	CAPT4961*4A*	A*EC961205DNA*	56,500	40,000	13.00	11.00	1,950	7365433
	CAPT4961*4A*	A*VM961155DXB*	54,500	38,500	13.00	11.00	1,660	6497611
	CAPT4961*4A*	ADVC81005C*B*	55,500	39,500	13.00	11.00	1,625	5520635
	CAPT4961*4A*	A*VC950905DXB*	55,000	39,000	13.00	11.00	1,560	6497607
	CAPT4961*4A*	A*VC960804CNA*	54,000	38,500	13.00	11.00	1,585	7354152
	CAPT4961*4A*	A*VC950915DXB*	55,000	39,000	13.00	11.00	1,660	5621088
	CAPT4961*4A*	A*VM971205DNA*	54,000	38,500	13.00	11.00	1,585	7354157
	CAPT4961*4A*	G*VC950915DXB*	55,000	39,000	13.00	11.00	1,660	5621089
	CAPT4961*4A*	G*VM960604CXB*	55,000	39,000	13.00	11.00	1,600	5621094
	CAPT4961*4A*	A*VM960805CXB*	55,000	39,000	13.00	11.00	1,560	6497609
	CAPT4961*4A*	A*VC80805C*B*	55,500	39,500	13.00	11.00	1,625	5520629
	CAPT4961*4A*	A*VC951155DXB*	54,500	38,500	13.00	11.00	1,660	6497608
	CAPT4961*4A*	G*VC950905CXB*	55,000	39,000	13.00	11.00	1,560	5621081
	CAPT4961*4A*	G*VM970804CNA*	54,000	38,500	13.00	11.00	1,585	7354161
	CAPT4961*4A*	G*E81005C*B*	55,000	39,000	13.00	11.00	1,625	5520637
	CAPT4961*4A*	A*VM970804CNA*	54,000	38,500	13.00	11.00	1,585	7354155
	CAPT4961*4A*	G*EC961205DNA*	56,500	40,000	13.00	11.00	1,950	7365325
	CAPT4961*4A*	G*VC950714CXB*	55,000	39,000	13.00	11.00	1,600	5621079
	CAPT4961*4A*	G*VC80805C*B*	55,500	39,500	13.00	11.00	1,625	5520638
	CAPT4961*4A*	G*VC950704CXB*	56,500	40,000	13.00	11.00	1,650	6945555
	CAPT4961*4A*	A*VM960805DXB*	56,500	40,000	13.00	11.00	1,700	6945638
	CAPT4961*4A*	A*VC950905CXB*	55,000	39,000	13.00	11.00	1,560	6497606
	CAPT4961*4A*	GME950805CXA*	56,500	40,000	13.00	11.00	1,580	6945674
	CAPT4961*4A*	G*VM971005CNA*	54,000	38,500	13.00	11.00	1,600	7354162
	CAPT4961*4A*	A*VC81005C*B*	55,500	39,500	13.00	11.00	1,625	5520630
	CAPT4961*4A*	G*VM960805CXB*	55,000	39,000	13.00	11.00	1,600	5621096
	CAPT4961*4A*	G*VC961205DNA*	54,000	38,500	13.00	11.00	1,585	7354160
	CAPT4961*4A*	A*VC950714CXB*	55,000	39,000	13.00	11.00	1,600	5621078
	CAPT4961*4A*	G*VM960805DXB*	55,000	39,000	13.00	11.00	1,600	5621099
	CAPT4961*4A*	A*VM961005DXB*	54,500	38,500	13.00	11.00	1,530	6497610
	CAPT4961*4A*	G*VC960804CNA*	54,000	38,500	13.00	11.00	1,585	7354158
	CAPT4961*4A*	A*VC961205DNA*	54,000	38,500	13.00	11.00	1,585	7354154
	CAPT4961*4A*	A*EH801005C*A*	55,000	39,000	13.00	11.00	1,625	6944936
	CAPT4961*4A*	A*VM971005CNA*	54,000	38,500	13.00	11.00	1,600	7354156
	CAPT4961*4A*	G*VC950905DXB*	55,000	39,000	13.00	11.00	1,560	5621084
	CAPT4961*4A*	G*VC961005CNA*	54,000	38,500	13.00	11.00	1,600	7354159
	CAPT4961*4A*	A*VC961005CNA*	54,000	38,500	13.00	11.00	1,600	7354153
	CAPT4961*4A*		56,500	40,000	13.00	11.00	1,600	6945515
	CAPT4961*4A*	G*VM961155DXB*	54,500	38,500	13.00	11.00	1,625	5621105
	CAPT4961*4A*	G*VC951155DXB*	54,500	38,500	13.00	11.00	1,625	5621091
	CAPT4961*4A*	A*VM960604CXB*	55,000	39,000	13.00	11.00	1,600	5621093
	CAPT4961*4A*	G*VM961005DXB*	54,500	38,500	13.00	11.00	1,625	5621102
CAPT4961*4A*	GME951005DXA*	56,500	40,000	13.00	11.00	1,655	6945680	
CAPT4961*4A*	A*EH800805C*A*	54,500	38,500	13.00	11.00	1,675	6944934	
CAPT4961*4A*	ADVC80805C*B*	55,500	39,500	13.00	11.00	1,625	5520634	
CAPT4961*4A*	A*VC950704CXB*	56,500	40,000	13.00	11.00	1,650	6945554	
CAPT4961*4A*+MBVC1600**-1A*		57,000	40,500	13.00	11.00	1,700	6945516	
CAPT4961*4A*+MBVC2000**-1A*		56,000	40,000	13.50	11.50	1,625	5527435	
CHPF4860D6D*+EEP+TXV		55,500	39,500	13.00	11.00	1,500	5604754	

See Notes on Page 55.

OUTDOOR UNIT	INDOOR UNITS		COOLING RATINGS				CFM	AHRI #
	COILS/AIR HANDLERS	FURNACES	TOTAL ¹	SENS. ¹	SEER ²	EER ³		
GSX13 0601B* (cont.)	CHPF4860D6D*+MBVC2000**-1A*+TXV		56,000	40,000	13.50	11.50	1,625	3688586
	CHPF4860D6D*+TXV	G*VM971005CNA*	54,000	38,500	13.00	11.00	1,600	7354174
	CHPF4860D6D*+TXV	G*VM970804CNA*	54,000	38,500	13.50	11.00	1,585	7354173
	CHPF4860D6D*+TXV	A*VM961155DXB*	55,000	39,000	13.40	11.30	1,620	6497618
	CHPF4860D6D*+TXV	G*VC961005CNA*	54,000	38,500	13.00	11.00	1,600	7354171
	CHPF4860D6D*+TXV	A*VC961005CNA*	54,000	38,500	13.00	11.00	1,600	7354165
	CHPF4860D6D*+TXV	G*VM960805DXB*	56,500	40,000	13.00	11.00	1,700	5621100
	CHPF4860D6D*+TXV	A*VM971205DNA*	54,000	38,500	13.50	11.50	1,585	7354169
	CHPF4860D6D*+TXV	G*E80805C*B*	54,500	38,500	13.30	11.20	1,650	5039181
	CHPF4860D6D*+TXV	A*VM970804CNA*	54,000	38,500	13.50	11.00	1,585	7354167
	CHPF4860D6D*+TXV	A*EH801005C*A*	55,000	39,000	13.30	11.20	1,720	6944940
	CHPF4860D6D*+TXV	G*VM971205DNA*	54,000	38,500	13.50	11.50	1,585	7354175
	CHPF4860D6D*+TXV	G*VC950905DXB*	55,500	39,500	13.20	11.00	1,700	5621085
	CHPF4860D6D*+TXV	A*VC80805C*B*	55,500	39,500	13.00	11.00	1,800	5038849
	CHPF4860D6D*+TXV	G*E81005C*B*	55,000	39,000	13.30	11.20	1,720	5039194
	CHPF4860D6D*+TXV	A*VC950905CXB*	55,000	39,000	13.00	11.00	1,700	6497612
	CHPF4860D6D*+TXV	A*VM961005DXB*	55,000	39,000	13.00	11.00	1,620	6497617
	CHPF4860D6D*+TXV	G*VM960805CXB*	55,000	39,000	13.00	11.00	1,700	5621097
	CHPF4860D6D*+TXV	A*VM971005CNA*	54,000	38,500	13.00	11.00	1,600	7354168
	CHPF4860D6D*+TXV	A*VC81005C*B*	55,500	39,500	13.00	11.00	1,800	5039148
	CHPF4860D6D*+TXV	A*VC961205DNA*	54,000	38,500	13.50	11.50	1,585	7354166
	CHPF4860D6D*+TXV	A*EC961205DNA*	56,500	40,000	13.00	11.00	1,950	7365434
	CHPF4860D6D*+TXV	A*VC951155DXB*	55,000	39,000	13.00	11.00	1,620	6497614
	CHPF4860D6D*+TXV	G*VC80805C*B*	55,500	39,500	13.00	11.00	1,800	5038946
	CHPF4860D6D*+TXV	A*VM960805CXB*	55,000	39,000	13.00	11.00	1,700	6497615
	CHPF4860D6D*+TXV	A*VC950905DXB*	55,000	39,000	13.20	11.00	1,700	6497613
	CHPF4860D6D*+TXV	G*VM961155DXB*	55,000	39,000	13.40	11.30	1,620	5621106
	CHPF4860D6D*+TXV	G*VC950905CXB*	55,000	39,000	13.00	11.00	1,700	5621082
	CHPF4860D6D*+TXV	G*VC951155DXB*	55,000	39,000	13.00	11.00	1,620	5621092
	CHPF4860D6D*+TXV	G*VC961205DNA*	54,000	38,500	13.50	11.50	1,585	7354172
	CHPF4860D6D*+TXV	A*EH800805C*A*	54,500	38,500	13.30	11.20	1,650	6944938
	CHPF4860D6D*+TXV	A*VC960804CNA*	54,000	38,500	13.50	11.00	1,585	7354164
	CHPF4860D6D*+TXV	G*VC81005C*B*	55,500	39,500	13.00	11.00	1,800	5038848
	CHPF4860D6D*+TXV	G*VM961005DXB*	55,000	39,000	13.00	11.00	1,620	5621103
	CHPF4860D6D*+TXV	G*VC960804CNA*	54,000	38,500	13.50	11.00	1,585	7354170
	CHPF4860D6D*+TXV	G*EC961205DNA*	56,500	40,000	13.00	11.00	1,950	7365326
	CHPF4860D6D*+TXV	A*VM960805DXB*	55,000	39,000	13.00	11.00	1,700	6497616
	CSCF4860N6D*+EEP		54,000	38,500	13.00	11.00	1,600	5446159
	CSCF4860N6D*+MBVC2000**-1A*		53,500	38,000	13.50	11.50	1,650	4767698
	CSCF4860N6D*+TXV	A*VM970804CNA*	54,000	38,500	13.00	11.00	1,585	7354179
CSCF4860N6D*+TXV	A*VC961005CNA*	54,000	38,500	13.00	11.00	1,600	7354177	
CSCF4860N6D*+TXV	A*VM971205DNA*	53,500	38,000	13.50	11.00	1,585	7354181	
CSCF4860N6D*+TXV	A*VC961205DNA*	53,500	38,000	13.50	11.00	1,585	7354178	
CSCF4860N6D*+TXV	G*VM971005CNA*	54,000	38,500	13.00	11.00	1,600	7354186	
CSCF4860N6D*+TXV	G*VM970804CNA*	54,000	38,500	13.00	11.00	1,585	7354185	
CSCF4860N6D*+TXV	G*VC960804CNA*	54,000	38,500	13.00	11.00	1,585	7354182	
CSCF4860N6D*+TXV	G*VM971205DNA*	53,500	38,000	13.50	11.00	1,585	7354187	
CSCF4860N6D*+TXV	G*VC961005CNA*	54,000	38,500	13.00	11.00	1,600	7354183	
CSCF4860N6D*+TXV	A*VC960804CNA*	54,000	38,500	13.00	11.00	1,585	7354176	
CSCF4860N6D*+TXV	A*VM971005CNA*	54,000	38,500	13.00	11.00	1,600	7354180	
CSCF4860N6D*+TXV	G*VC961205DNA*	53,500	38,000	13.50	11.00	1,585	7354184	

See Notes on Page 55.

OUTDOOR UNIT	INDOOR UNITS		COOLING RATINGS				CFM	AHRI #
	COILS/AIR HANDLERS	FURNACES	TOTAL ¹	SENS. ¹	SEER ²	EER ³		
GSX13 0611A*	ARPT48D14A*		54,500	37,400	13.00	11.00	1,500	5586528
	ARPT60D14A*		55,000	37,600	13.00	11.00	1,500	5586693
	ARUF48D14A*		54,500	37,400	13.00	11.00	1,500	5586531
	ARUF60D14A*		55,000	37,600	13.00	11.00	1,500	5586696
	ASPT60D14A*		56,000	38,500	14.00	11.50	1,600	5722560
	ASUF49C14A*		51,500	35,200	13.00	11.00	1,435	5620411
	ASUF49C14A*+TXV		51,500	35,200	13.20	11.00	1,435	5620412
	ASUF59D14A*		56,000	38,500	13.50	11.00	1,580	5600189
	ASUF59D14A*+TXV		56,000	38,500	14.00	11.50	1,600	5722605
	AVPTC60D14A*		56,000	38,500	14.00	11.50	1,620	5924344
	CA*F4860*6D*+EEP		55,000	37,600	13.00	11.00	1,500	5586534
	CA*F4860*6D*+MBVC2000**-1A*		56,000	38,500	13.50	11.50	1,575	5586537
	CA*F4860*6D*+MBVC2000**-1A*+TXV		56,000	38,500	14.00	11.50	1,575	5586540
	CA*F4860*6D*+TXV	A*VC951155DXB*	55,000	37,600	13.00	11.00	1,550	5621135
	CA*F4860*6D*+TXV	A*VM961155DXB*	55,000	37,600	13.50	11.00	1,550	5621174
	CA*F4860*6D*+TXV	G*VM961005DXB*	55,000	37,600	13.50	11.00	1,550	5621165
	CA*F4860*6D*+TXV	G*VM960805CXB*	55,500	38,000	13.00	11.00	1,460	5621145
	CA*F4860*6D*+TXV	ADVC81005C*B*	55,500	38,000	13.00	11.00	1,550	5586714
	CA*F4860*6D*+TXV	GME951005DXA*	55,000	37,600	13.50	11.00	1,500	5586579
	CA*F4860*6D*+TXV	G*VC950915DXB*	55,000	37,600	13.00	11.00	1,575	5621126
	CA*F4860*6D*+TXV	AMEH961005DXA*	55,000	37,600	13.50	11.00	1,500	6944948
	CA*F4860*6D*+TXV	A*VC950905DXB*	55,500	38,000	13.50	11.00	1,460	5621116
	CA*F4860*6D*+TXV	G*VC951155DXB*	55,000	37,600	13.00	11.00	1,550	5621136
	CA*F4860*6D*+TXV	G*VC80805C*B*	55,500	38,000	13.50	11.00	1,520	5586720
	CA*F4860*6D*+TXV	AMEH960805CXA*	55,000	37,600	13.00	11.00	1,475	6944946
	CA*F4860*6D*+TXV	G*VC81005C*B*	55,500	38,000	13.50	11.00	1,520	5586564
	CA*F4860*6D*+TXV	A*VC950915DXB*	55,000	37,600	13.00	11.00	1,575	5621125
	CA*F4860*6D*+TXV	G*VC950905DXB*	55,500	38,000	13.50	11.00	1,460	5621117
	CA*F4860*6D*+TXV	A*EH800805C*A*	55,500	38,000	13.00	11.00	1,550	6944942
	CA*F4860*6D*+TXV	A*EH801005C*A*	55,000	37,600	13.50	11.00	1,525	6944944
	CA*F4860*6D*+TXV	A*VM961005DXB*	55,000	37,600	13.50	11.00	1,550	5621164
	CA*F4860*6D*+TXV	A*VM960805CXB*	55,500	38,000	13.00	11.00	1,460	5621144
	CA*F4860*6D*+TXV	A*VC80805C*B*	55,500	38,000	13.50	11.00	1,520	5586705
	CA*F4860*6D*+TXV	G*E81005C*B*	55,000	37,600	13.50	11.00	1,525	5586717
	CA*F4860*6D*+TXV	G*VM960805DXB*	55,500	38,000	13.00	11.00	1,460	5621155
	CA*F4860*6D*+TXV	A*VM960805DXB*	55,500	38,000	13.00	11.00	1,460	5621154
	CA*F4860*6D*+TXV	A*VC81005C*B*	55,500	38,000	13.50	11.00	1,520	5586543
	CA*F4860*6D*+TXV	GME950805CXA*	55,000	37,600	13.00	11.00	1,475	5586576
	CA*F4860*6D*+TXV	G*VC950905CXB*	55,500	38,000	13.00	11.00	1,460	5621108
	CA*F4860*6D*+TXV	A*VC950905CXB*	55,500	38,000	13.00	11.00	1,460	5621107
	CA*F4860*6D*+TXV	G*VM961155DXB*	55,000	37,600	13.50	11.00	1,550	5621175
	CA*F4860*6D*+TXV	G*E80805C*B*	55,500	38,000	13.00	11.00	1,550	5586561
	CA*F4860*6D*+TXV	ADVC80805C*B*	55,500	38,000	13.00	11.00	1,500	5586558
	CA*F4961*6D*+EEP		56,500	38,500	13.00	11.00	1,500	5586582
	CA*F4961*6D*+MBVC2000**-1A*		57,000	39,000	14.00	11.50	1,575	5586856
	CA*F4961*6D*+MBVC2000**-1A*+TXV		57,000	39,000	14.00	12.00	1,575	5586585
	CA*F4961*6D*+TXV	A*VC81005C*B*	56,500	38,500	14.00	11.50	1,520	5586591
	CA*F4961*6D*+TXV	A*EH801005C*A*	56,000	38,500	14.00	11.50	1,525	6944952
CA*F4961*6D*+TXV	G*VC951155DXB*	56,000	38,500	14.00	11.50	1,550	5621138	
CA*F4961*6D*+TXV	G*VC950905DXB*	56,500	38,500	14.00	11.50	1,460	5621119	
CA*F4961*6D*+TXV	G*VM960805CXB*	56,500	38,500	13.50	11.00	1,460	5621147	
CA*F4961*6D*+TXV	G*VC961005CNA*	56,000	38,500	13.50	11.50	1,520	7354192	
CA*F4961*6D*+TXV	G*VC91155DXA*	56,000	38,500	13.00	11.00	1,550	5593112	
CA*F4961*6D*+TXV	G*VM960805DXB*	56,500	38,500	13.50	11.00	1,460	5621157	
CA*F4961*6D*+TXV	A*VC80805C*B*	56,500	38,500	14.00	11.50	1,520	5586588	
CA*F4961*6D*+TXV	GME950805CXA*	56,000	38,500	13.50	11.00	1,475	5586624	

See Notes on Page 55.

OUTDOOR UNIT	INDOOR UNITS		COOLING RATINGS				CFM	AHRI #
	COILS/AIR HANDLERS	FURNACES	TOTAL ¹	SENS. ¹	SEER ²	EER ³		
GSX13 0611A* (cont.)	CA*F4961*6D*+TXV	G*E80805C*B*	56,000	38,500	14.00	11.50	1,550	5586606
	CA*F4961*6D*+TXV	ADVC80805C*B*	57,000	39,000	13.50	11.00	1,500	5586600
	CA*F4961*6D*+TXV	A*VM960805DXB*	56,500	38,500	13.50	11.00	1,460	5621156
	CA*F4961*6D*+TXV	AMEH961005DXA*	56,000	38,500	14.00	11.50	1,500	6944956
	CA*F4961*6D*+TXV	G*VM961155DXB*	56,000	38,500	13.50	11.00	1,550	5621177
	CA*F4961*6D*+TXV	AMEH960805CXA*	56,000	38,500	13.50	11.00	1,475	6944954
	CA*F4961*6D*+TXV	GME951005DXA*	56,000	38,500	14.00	11.50	1,500	5586627
	CA*F4961*6D*+TXV	G*VM961005DXB*	56,000	38,500	14.00	11.50	1,550	5621167
	CA*F4961*6D*+TXV	G*VC950915DXB*	56,000	38,500	13.50	11.00	1,575	5621128
	CA*F4961*6D*+TXV	G*VM971205DNA*	56,000	38,500	14.00	11.50	1,545	7354195
	CA*F4961*6D*+TXV	G*VC961205DNA*	56,000	38,500	14.00	11.50	1,545	7354193
	CA*F4961*6D*+TXV	A*VC950915DXB*	56,000	38,500	13.50	11.00	1,575	5621127
	CA*F4961*6D*+TXV	ADVC81005C*B*	57,000	39,000	13.50	11.00	1,550	5586603
	CA*F4961*6D*+TXV	G*E81005C*B*	56,000	38,500	14.00	11.50	1,525	5586609
	CA*F4961*6D*+TXV	A*EH800805C*A*	56,000	38,500	14.00	11.50	1,550	6944950
	CA*F4961*6D*+TXV	A*EC961205DNA*	56,000	38,500	14.00	11.50	1,525	7365435
	CA*F4961*6D*+TXV	A*VC950905CXB*	56,500	38,500	13.50	11.00	1,460	5621109
	CA*F4961*6D*+TXV	A*VC951155DXB*	56,000	38,500	14.00	11.50	1,550	5621137
	CA*F4961*6D*+TXV	G*VC80805C*B*	56,500	38,500	14.00	11.50	1,520	5586612
	CA*F4961*6D*+TXV	A*VM971205DNA*	56,000	38,500	14.00	11.50	1,545	7354191
	CA*F4961*6D*+TXV	A*VC961205DNA*	56,000	38,500	14.00	11.50	1,545	7354189
	CA*F4961*6D*+TXV	A*VM961005DXB*	56,000	38,500	14.00	11.50	1,550	5621166
	CA*F4961*6D*+TXV	A*VM960805CXB*	56,500	38,500	13.50	11.00	1,460	5621146
	CA*F4961*6D*+TXV	G*VC950905CXB*	56,500	38,500	13.50	11.00	1,460	5621110
	CA*F4961*6D*+TXV	G*EC961205DNA*	56,000	38,500	14.00	11.50	1,525	7365327
	CA*F4961*6D*+TXV	A*VM971005CNA*	56,000	38,500	13.50	11.50	1,520	7354190
	CA*F4961*6D*+TXV	A*VM961155DXB*	56,000	38,500	14.00	11.50	1,550	5621176
	CA*F4961*6D*+TXV	A*VC961005CNA*	56,000	38,500	13.50	11.50	1,520	7354188
	CA*F4961*6D*+TXV	A*VC950905DXB*	56,500	38,500	14.00	11.50	1,460	5621118
	CA*F4961*6D*+TXV	G*VM971005CNA*	56,000	38,500	13.50	11.50	1,520	7354194
	CA*F4961*6D*+TXV	G*VC81005C*B*	56,500	38,500	14.00	11.50	1,520	5586615
	CAPT4961*4A*	G*VC950905DXB*	56,500	38,500	14.00	11.50	1,460	5621121
	CAPT4961*4A*	G*VC950915DXB*	56,000	38,500	13.50	11.00	1,575	5621130
	CAPT4961*4A*	AMEH961005DXA*	56,000	38,500	14.00	11.50	1,500	6944964
	CAPT4961*4A*	A*VC950915DXB*	56,000	38,500	13.50	11.00	1,575	5621129
	CAPT4961*4A*	A*VC950905CXB*	56,500	38,500	13.50	11.00	1,460	5621111
	CAPT4961*4A*	ADVC81005C*B*	57,000	39,000	13.50	11.00	1,550	5586645
	CAPT4961*4A*	G*VM971205DNA*	56,000	38,500	13.50	11.50	1,545	7354203
	CAPT4961*4A*	ADVC80805C*B*	57,000	39,000	13.50	11.00	1,500	5586642
	CAPT4961*4A*	G*VC91155DXA*	56,000	38,500	13.50	11.00	1,550	5593115
	CAPT4961*4A*	G*E81005C*B*	56,000	38,500	14.00	11.50	1,525	5586651
	CAPT4961*4A*	G*VC80805C*B*	56,500	38,500	14.00	11.50	1,520	5586654
	CAPT4961*4A*	A*VC950714CXB*	57,000	39,000	13.00	11.00	1,530	6945566
	CAPT4961*4A*	A*EH801005C*A*	56,000	38,500	14.00	11.50	1,525	6944960
	CAPT4961*4A*	G*VM960805DXB*	56,500	38,500	13.50	11.00	1,460	5621159
	CAPT4961*4A*	G*VM971005CNA*	56,000	38,500	13.50	11.00	1,520	7354202
	CAPT4961*4A*	GME950805CXA*	56,000	38,500	13.50	11.00	1,475	5586666
	CAPT4961*4A*	A*VM961005DXB*	56,000	38,500	14.00	11.50	1,550	5621168
	CAPT4961*4A*	A*VM971005CNA*	56,000	38,500	13.50	11.00	1,520	7354198
	CAPT4961*4A*	A*VC950905DXB*	56,500	38,500	14.00	11.50	1,460	5621120
CAPT4961*4A*	A*VC81005C*B*	56,500	38,500	14.00	11.50	1,520	5586633	
CAPT4961*4A*	A*VM971205DNA*	56,000	38,500	13.50	11.50	1,545	7354199	
CAPT4961*4A*	G*VC961205DNA*	56,000	38,500	13.50	11.50	1,545	7354201	
CAPT4961*4A*	G*VC950704CXB*	57,000	39,000	13.00	11.00	1,450	6945557	
CAPT4961*4A*	G*VM960805CXB*	56,500	38,500	13.50	11.00	1,460	5621149	
CAPT4961*4A*	G*VC961005CNA*	56,000	38,500	13.50	11.00	1,520	7354200	

See Notes on Page 55.

OUTDOOR UNIT	INDOOR UNITS		COOLING RATINGS				CFM	AHRI #
	COILS/AIR HANDLERS	FURNACES	TOTAL ¹	SENS. ¹	SEER ²	EER ³		
GSX13 0611A* (cont.)	CAPT4961*4A*	A*VC80805C*B*	56,500	38,500	14.00	11.50	1,520	5586630
	CAPT4961*4A*	A*VM960805CXB*	56,500	38,500	13.50	11.00	1,460	5621148
	CAPT4961*4A*	G*VC951155DXB*	56,000	38,500	14.00	11.50	1,550	5621140
	CAPT4961*4A*	A*VM961155DXB*	56,000	38,500	14.00	11.50	1,550	5621178
	CAPT4961*4A*	A*VC961005CNA*	56,000	38,500	13.50	11.00	1,520	7354196
	CAPT4961*4A*	A*VC950704CXB*	57,000	39,000	13.00	11.00	1,450	6945556
	CAPT4961*4A*	G*E80805C*B*	56,000	38,500	14.00	11.50	1,550	5586648
	CAPT4961*4A*	A*VC961205DNA*	56,000	38,500	13.50	11.50	1,545	7354197
	CAPT4961*4A*	A*EH800805C*A*	56,000	38,500	14.00	11.50	1,550	6944958
	CAPT4961*4A*	G*EC961205DNA*	56,000	38,500	13.50	11.50	1,525	7365328
	CAPT4961*4A*	G*VC950714CXB*	57,000	39,000	13.00	11.00	1,530	6945567
	CAPT4961*4A*	GME951005DXA*	56,000	38,500	14.00	11.50	1,500	5586669
	CAPT4961*4A*	G*VM961155DXB*	56,000	38,500	13.50	11.00	1,550	5621179
	CAPT4961*4A*	G*VC81005C*B*	56,500	38,500	14.00	11.50	1,520	5586657
	CAPT4961*4A*	G*VC950905CXB*	56,500	38,500	13.50	11.00	1,460	5621112
	CAPT4961*4A*	A*VC951155DXB*	56,000	38,500	14.00	11.50	1,550	5621139
	CAPT4961*4A*	A*VM960805DXB*	56,500	38,500	13.50	11.00	1,460	5621158
	CAPT4961*4A*	G*VM961005DXB*	56,000	38,500	14.00	11.50	1,550	5621169
	CAPT4961*4A*	A*EC961205DNA*	56,000	38,500	13.50	11.50	1,525	7365436
	CAPT4961*4A*	AMEH960805CXA*	56,000	38,500	13.50	11.00	1,475	6944962
	CAPT4961*4A*+EEP		56,500	38,500	13.50	11.00	1,500	5586770
	CAPT4961*4A*+MBVC1600**-1A*		57,000	39,000	13.50	11.50	1,560	6945517
	CAPT4961*4A*+MBVC2000**-1A*		57,000	39,000	14.00	12.00	1,575	5586672
	CHPF4860D6D*+EEP		56,000	38,500	13.00	11.00	1,500	5586675
	CHPF4860D6D*+MBVC2000**-1A*		57,000	39,000	14.00	11.50	1,575	5586900
	CHPF4860D6D*+MBVC2000**-1A*+TXV		57,000	39,000	14.00	11.50	1,575	5586773
	CHPF4860D6D*+TXV	A*VC950915DXB*	55,000	37,600	13.00	11.00	1,575	5621131
	CHPF4860D6D*+TXV	A*VM961155DXB*	56,000	38,500	14.00	11.50	1,550	5621180
	CHPF4860D6D*+TXV	G*VC961205DNA*	56,000	38,500	14.00	11.50	1,545	7354209
	CHPF4860D6D*+TXV	A*VC961205DNA*	56,000	38,500	14.00	11.50	1,545	7354205
	CHPF4860D6D*+TXV	A*EH801005C*A*	56,000	38,500	14.00	11.50	1,525	6944968
	CHPF4860D6D*+TXV	G*VC81005C*B*	56,500	38,500	14.00	11.50	1,520	5586811
	CHPF4860D6D*+TXV	G*VM971005CNA*	56,000	38,500	13.50	11.00	1,520	7354210
	CHPF4860D6D*+TXV	G*VC950905DXB*	56,500	38,500	14.00	11.50	1,460	5621123
	CHPF4860D6D*+TXV	G*VC950915DXB*	55,000	37,600	13.00	11.00	1,575	5621132
	CHPF4860D6D*+TXV	G*VM961005DXB*	56,000	38,500	14.00	11.50	1,550	5621171
	CHPF4860D6D*+TXV	A*VM960805DXB*	55,500	38,000	13.00	11.00	1,460	5621160
	CHPF4860D6D*+TXV	G*VC91155DXA*	56,000	38,500	13.00	11.00	1,550	5593118
	CHPF4860D6D*+TXV	A*VC950905DXB*	56,000	38,500	14.00	11.50	1,460	5621122
	CHPF4860D6D*+TXV	A*VM961005DXB*	56,000	38,500	14.00	11.50	1,550	5621170
	CHPF4860D6D*+TXV	GME950805CXA*	56,000	38,500	13.00	11.00	1,475	5586684
	CHPF4860D6D*+TXV	A*VC80805C*B*	56,000	38,500	14.00	11.50	1,520	5586776
	CHPF4860D6D*+TXV	AMEH961005DXA*	56,000	38,500	14.00	11.50	1,500	6944972
	CHPF4860D6D*+TXV	A*VC951155DXB*	56,000	38,500	14.00	11.50	1,550	5621141
	CHPF4860D6D*+TXV	G*VC80805C*B*	56,000	38,500	14.00	11.50	1,520	5586808
CHPF4860D6D*+TXV	G*EC961205DNA*	56,000	38,500	14.00	11.50	1,525	7365329	
CHPF4860D6D*+TXV	A*VM960805CXB*	56,500	38,500	13.50	11.00	1,460	5621150	
CHPF4860D6D*+TXV	A*VC81005C*B*	56,500	38,500	14.00	11.50	1,520	5586779	
CHPF4860D6D*+TXV	AMEH960805CXA*	56,000	38,500	13.00	11.00	1,475	6944970	
CHPF4860D6D*+TXV	A*EH800805C*A*	56,000	38,500	14.00	11.50	1,550	6944966	
CHPF4860D6D*+TXV	G*VM960805DXB*	55,500	38,000	13.00	11.00	1,460	5621161	
CHPF4860D6D*+TXV	G*VM971205DNA*	56,000	38,500	14.00	11.50	1,545	7354211	
CHPF4860D6D*+TXV	A*VM971205DNA*	56,000	38,500	14.00	11.50	1,545	7354207	
CHPF4860D6D*+TXV	A*EC961205DNA*	56,000	38,500	14.00	11.50	1,525	7365437	
CHPF4860D6D*+TXV	G*VM960805CXB*	56,500	38,500	13.50	11.00	1,460	5621151	
CHPF4860D6D*+TXV	G*VC961005CNA*	56,000	38,500	13.50	11.00	1,520	7354208	

See Notes on Page 55.

OUTDOOR UNIT	INDOOR UNITS		COOLING RATINGS				CFM	AHRI #
	COILS/AIR HANDLERS	FURNACES	TOTAL ¹	SENS. ¹	SEER ²	EER ³		
GSX13 0611A* (cont.)	CHPF4860D6D*+TXV	A*VC950905CXB*	56,000	38,500	13.50	11.00	1,460	5621113
	CHPF4860D6D*+TXV	A*VM971005CNA*	56,000	38,500	13.50	11.00	1,520	7354206
	CHPF4860D6D*+TXV	G*E81005C*B*	56,000	38,500	14.00	11.50	1,525	5586805
	CHPF4860D6D*+TXV	A*VC961005CNA*	56,000	38,500	13.50	11.00	1,520	7354204
	CHPF4860D6D*+TXV	G*E80805C*B*	56,000	38,500	14.00	11.50	1,550	5586802
	CHPF4860D6D*+TXV	G*VC951155DXB*	56,000	38,500	14.00	11.50	1,550	5621142
	CHPF4860D6D*+TXV	GME951005DXA*	56,000	38,500	14.00	11.50	1,500	5586687
	CHPF4860D6D*+TXV	G*VM961155DXB*	55,000	37,600	13.50	11.00	1,550	5621181
	CHPF4860D6D*+TXV	G*VC950905CXB*	56,000	38,500	13.50	11.00	1,460	5621114
	CSCF4860N6D*+EEP		55,000	37,600	13.00	11.00	1,500	5589903
	CSCF4860N6D*+MBVC2000**-1A*		56,000	38,500	13.50	11.50	1,575	5589906
	CSCF4860N6D*+MBVC2000**-1A*+TXV		56,000	38,500	14.00	11.50	1,575	5586690
	CSCF4860N6D*+TXV	A*VC961205DNA*	55,500	38,000	13.50	11.00	1,545	7354213
	CSCF4860N6D*+TXV	G*VC961205DNA*	55,500	38,000	13.50	11.00	1,545	7354217
	CSCF4860N6D*+TXV	GME950805CXA*	55,000	37,600	13.00	11.00	1,475	5589954
	CSCF4860N6D*+TXV	G*VC961005CNA*	55,500	38,000	13.50	11.00	1,520	7354216
	CSCF4860N6D*+TXV	A*VM971205DNA*	55,500	38,000	13.50	11.00	1,545	7354215
	CSCF4860N6D*+TXV	G*VM961155DXB*	55,000	37,600	13.50	11.00	1,550	5621183
	CSCF4860N6D*+TXV	G*VC950915DXB*	55,000	37,600	13.00	11.00	1,575	5621134
	CSCF4860N6D*+TXV	G*E80805C*B*	54,500	37,400	13.00	11.00	1,550	5586829
	CSCF4860N6D*+TXV	A*EH801005C*A*	55,500	38,000	13.50	11.00	1,525	6944976
	CSCF4860N6D*+TXV	A*VC80805C*B*	56,500	38,500	13.50	11.50	1,520	5589909
	CSCF4860N6D*+TXV	A*VM960805DXB*	55,500	38,000	13.00	11.00	1,460	5621162
	CSCF4860N6D*+TXV	A*VC950915DXB*	55,000	37,600	13.00	11.00	1,575	5621133
	CSCF4860N6D*+TXV	G*VC80805C*B*	56,500	38,500	13.50	11.50	1,520	5589936
	CSCF4860N6D*+TXV	A*VC950905DXB*	55,000	37,600	13.50	11.00	1,475	5621124
	CSCF4860N6D*+TXV	A*VM961155DXB*	55,000	37,600	13.50	11.00	1,550	5621182
	CSCF4860N6D*+TXV	G*VM960805CXB*	55,500	38,000	13.00	11.00	1,460	5621153
	CSCF4860N6D*+TXV	G*E81005C*B*	55,500	38,000	13.50	11.00	1,525	5589933
	CSCF4860N6D*+TXV	GME951005DXA*	55,000	37,600	13.50	11.00	1,500	5589957
	CSCF4860N6D*+TXV	A*VM971005CNA*	55,500	38,000	13.50	11.00	1,520	7354214
	CSCF4860N6D*+TXV	A*VC81005C*B*	55,500	38,000	13.50	11.00	1,520	5589912
	CSCF4860N6D*+TXV	A*EH800805C*A*	54,500	37,400	13.00	11.00	1,550	6944974
	CSCF4860N6D*+TXV	G*VM971205DNA*	55,500	38,000	13.50	11.00	1,545	7354219
	CSCF4860N6D*+TXV	G*VC81005C*B*	55,500	38,000	13.50	11.00	1,520	5589939
	CSCF4860N6D*+TXV	A*VM961005DXB*	55,000	37,600	13.50	11.00	1,550	5621172
	CSCF4860N6D*+TXV	G*VM961005DXB*	55,000	37,600	13.50	11.00	1,550	5621173
	CSCF4860N6D*+TXV	A*VC950905CXB*	55,000	37,600	13.50	11.00	1,475	5621115
	CSCF4860N6D*+TXV	AMEH961005DXA*	55,000	37,600	13.50	11.00	1,500	6944980
	CSCF4860N6D*+TXV	AMEH960805CXA*	55,000	37,600	13.00	11.00	1,475	6944978
CSCF4860N6D*+TXV	G*VM971005CNA*	55,500	38,000	13.50	11.00	1,520	7354218	
CSCF4860N6D*+TXV	G*VM960805DXB*	55,500	38,000	13.00	11.00	1,460	5621163	
CSCF4860N6D*+TXV	A*VC951155DXB*	55,000	37,600	13.50	11.00	1,550	5621143	
CSCF4860N6D*+TXV	A*VC961005CNA*	55,500	38,000	13.50	11.00	1,520	7354212	
CSCF4860N6D*+TXV	A*VM960805CXB*	55,500	38,000	13.00	11.00	1,460	5621152	

¹ BTU/h

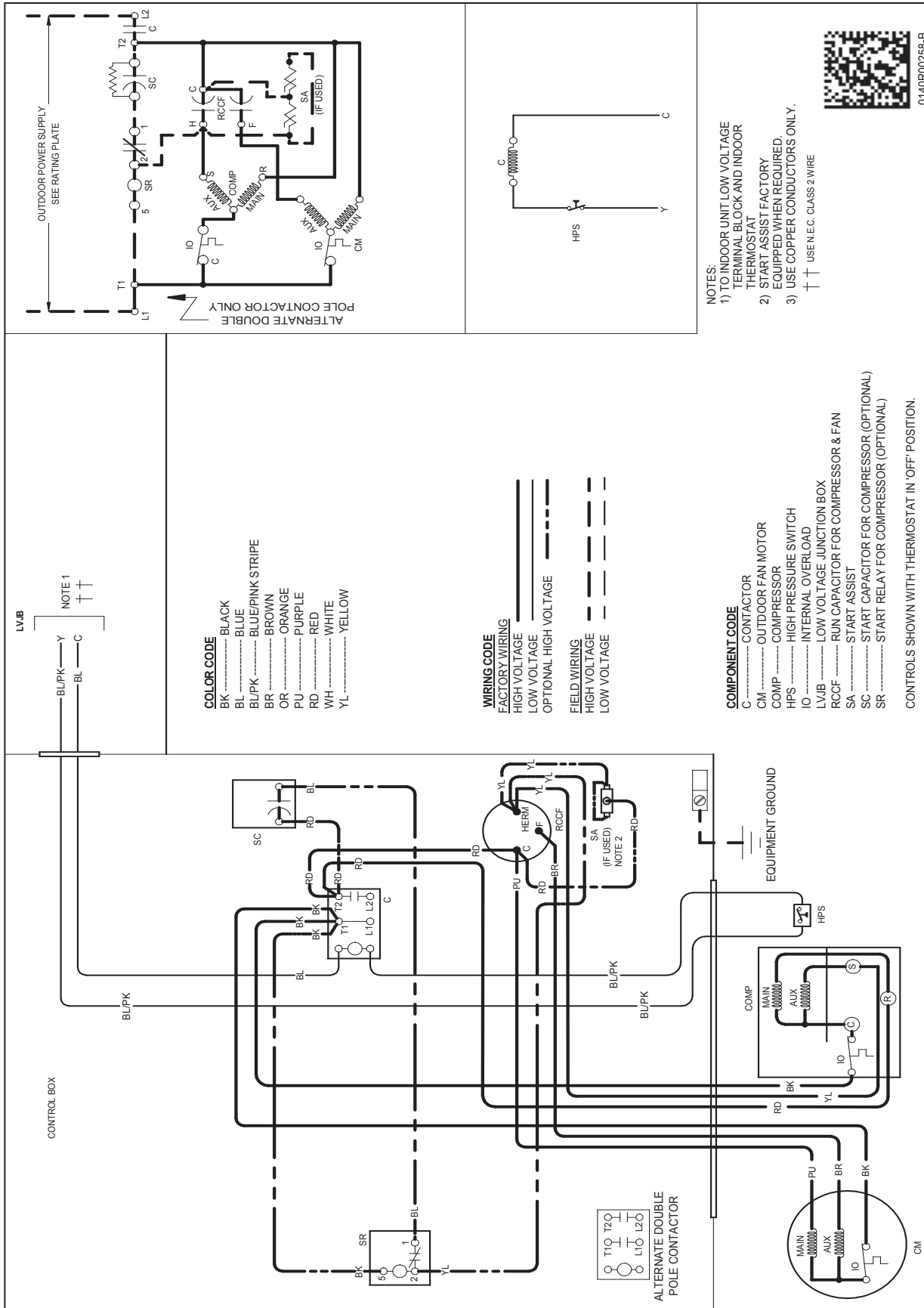
² Seasonal Energy Efficiency Ratio; Certified per AHRI 210/240 @ 80°F/ 67°F/ 95°F

³ Energy Efficiency Ratio @ 80°F/ 67°F/ 95°F

NOTES

- Always check the S&R plate for electrical data on the unit being installed.
- When matching the outdoor unit to the indoor unit, use the piston supplied with the outdoor unit or that specified on the piston kit chart supplied with the indoor unit.
- EEP - Order from Service Dept. Part No. B13707-38 or new Solid State Board B13707-35S. Part No. B13707-38 is not interchangeable with B13707-35S. The Goodman Gas Furnace contains the EEP cooling time delay

GSX130181E



Wiring is subject to change. Always refer to the wiring diagram or the unit for the most up-to-date wiring.

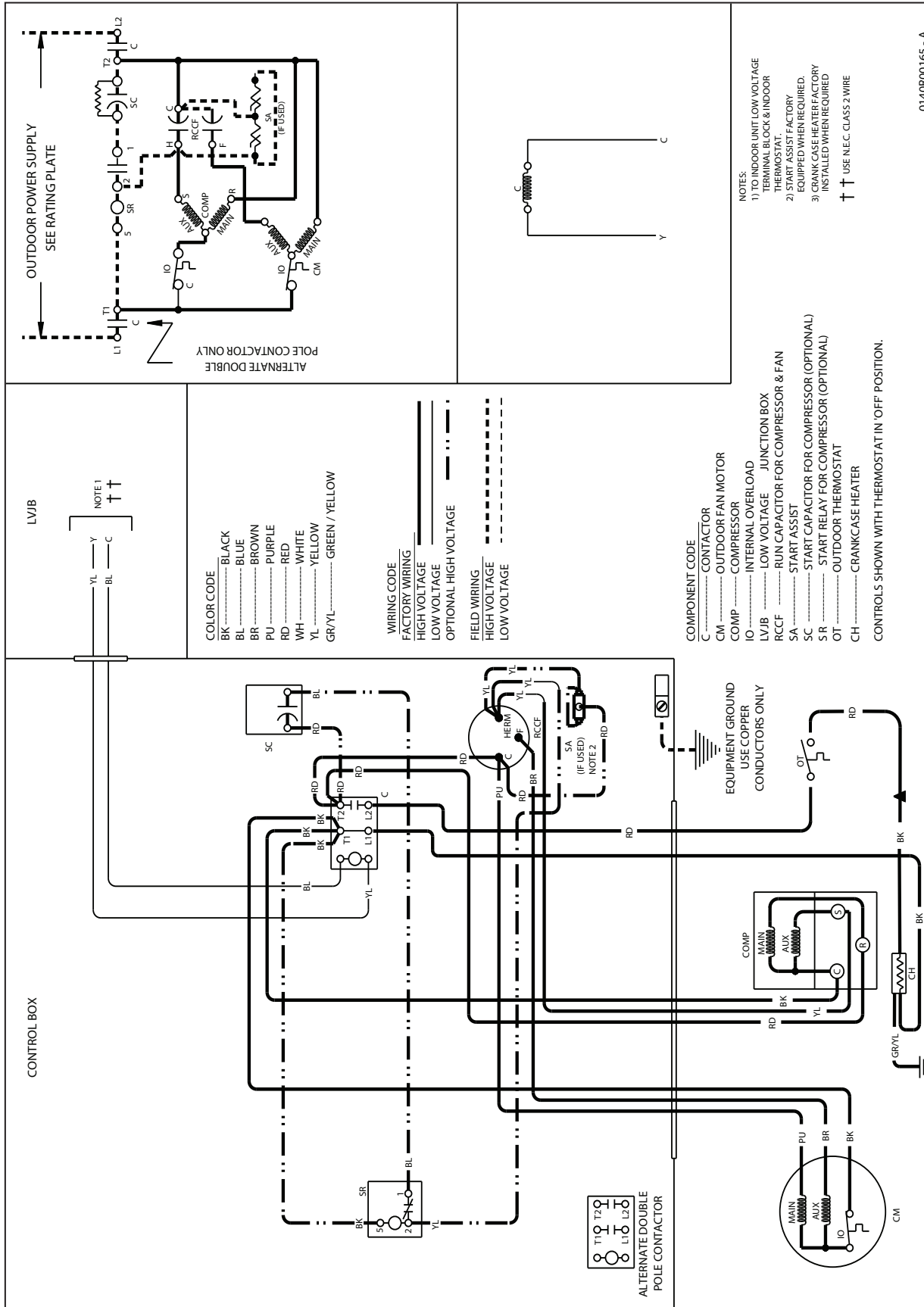


WARNING

High Voltage: Disconnect all power before servicing or installing this unit. Multiple power sources may be present. Failure to do so may cause property damage, personal injury, or death.



GSX130(18-24)1D*

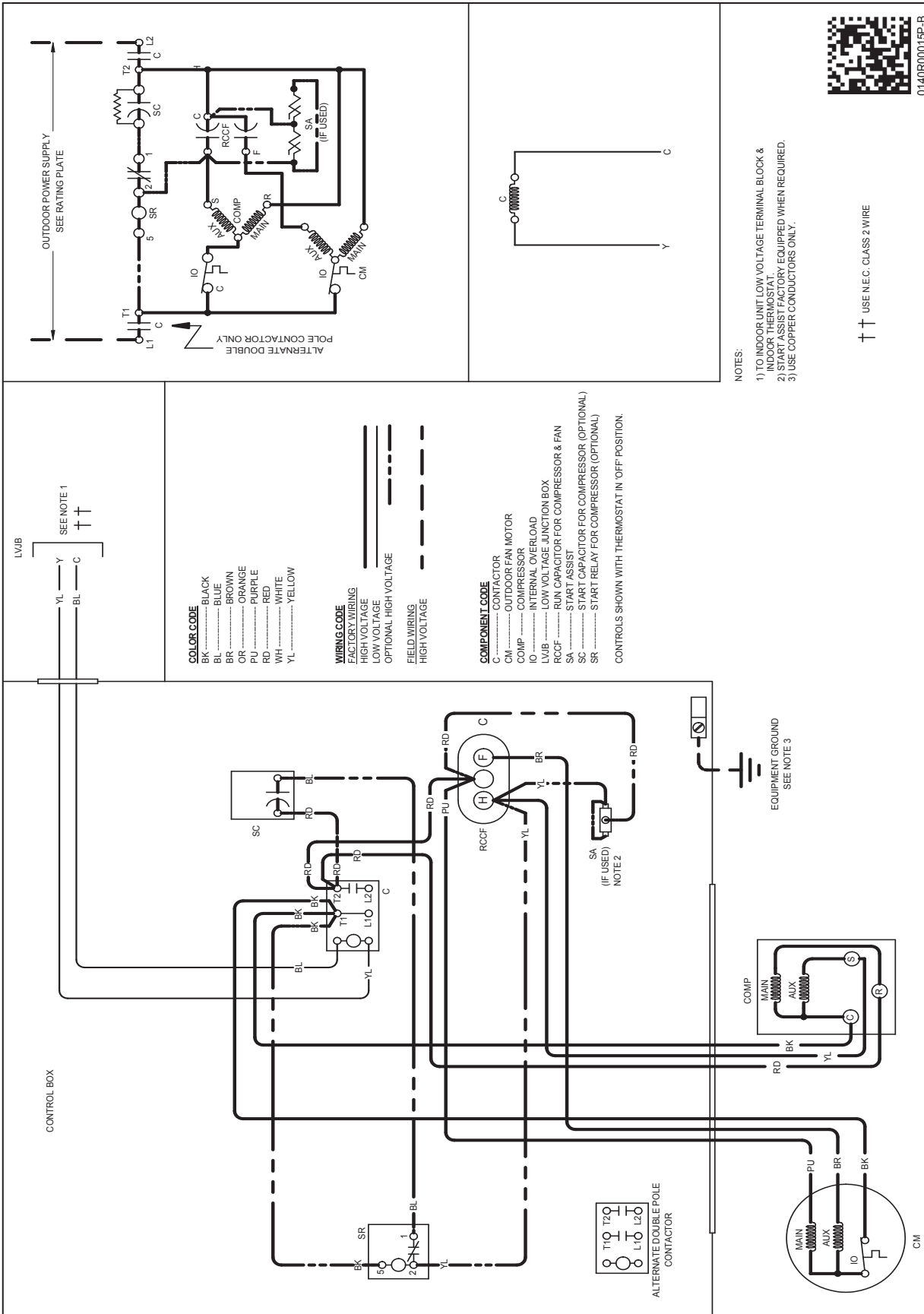


WARNING

High Voltage: Disconnect all power before servicing or installing this unit. Multiple power sources may be present. Failure to do so may cause property damage, personal injury, or death.

Wiring is subject to change. Always refer to the wiring diagram on the unit for the most up-to-date wiring.

GSX130611*



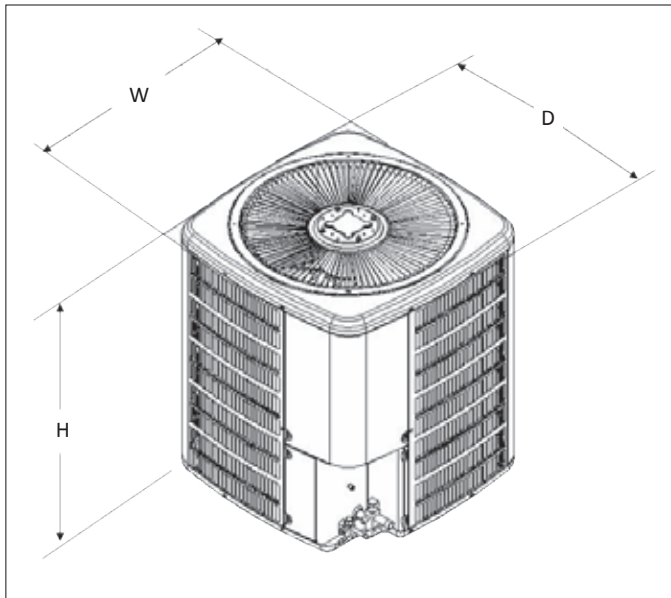
0140R00019P-B

WARNING

High Voltage: Disconnect all power before servicing or installing this unit. Multiple power sources may be present. Failure to do so may cause property damage, personal injury, or death.

Wiring is subject to change. Always refer to the wiring diagram or the unit for the most up-to-date wiring.

DIMENSIONS



MODEL	DIMENSIONS		
	W"	D"	H"
GSX130181E*	23	23	25¾
GSX130241D*	23	23	25¾
GSX130301B*	26	26	27½
GSX130361C*	29	29	28¾
GSX130361E*	26	26	27½
GSX130421B*	29	29	36¾
GSX130481B*	29	29	36¾
GSX130601B*	29	29	40
GSX130611A*	35½	35½	38¾

ACCESSORIES

MODEL	DESCRIPTION	GSX13 018D*	GSX13 018E*	GSX13 024C*	GSX13 024D*	GSX13 030B*	GSX13 036**	GSX13 042B*	GSX13 048B*	GSX13 060B*	GSX13 061A*
ABK-20	Anchor Bracket Kit [^]		X	X		X	X	X	X	X	X
ABK-21	Anchor Bracket Kit [^]	X			X						
ASC-01	Anti-Short Cycle Kit	X	X	X	X	X	X	X	X	X	X
CSR-U-1	Hard-start Kit		X	X	X	X	X	X	X	X	X
CSR-U-2	Hard-start Kit	X									
CSR-U-3	Hard-start Kit										
FSK01A ¹	Freeze Protection Kit	X	X	X	X	X	X	X	X	X	X
LSK02A ²	Liquid Line Solenoid Kit	X	X	X	X	X	X	X	X	X	X
TX2N4 ²	TXV Kit	X	X								
TX2N4A ²	TXV Kit	X	X	X	X						
TX3N4 ²	TXV Kit					X	X				
TX5N4 ²	TXV Kit							X	X	X	X

[^] Contains 20 brackets; four brackets needed to anchor unit to pad

¹ Installed on indoor coil

² Field-installed, non-bleed, expansion valve kit — Condensing units and heat pumps with reciprocating compressors require the use of start-assist components when used in conjunction with an indoor coil using a non-bleed thermal expansion valve refrigerant metering device or liquid line solenoid kit.